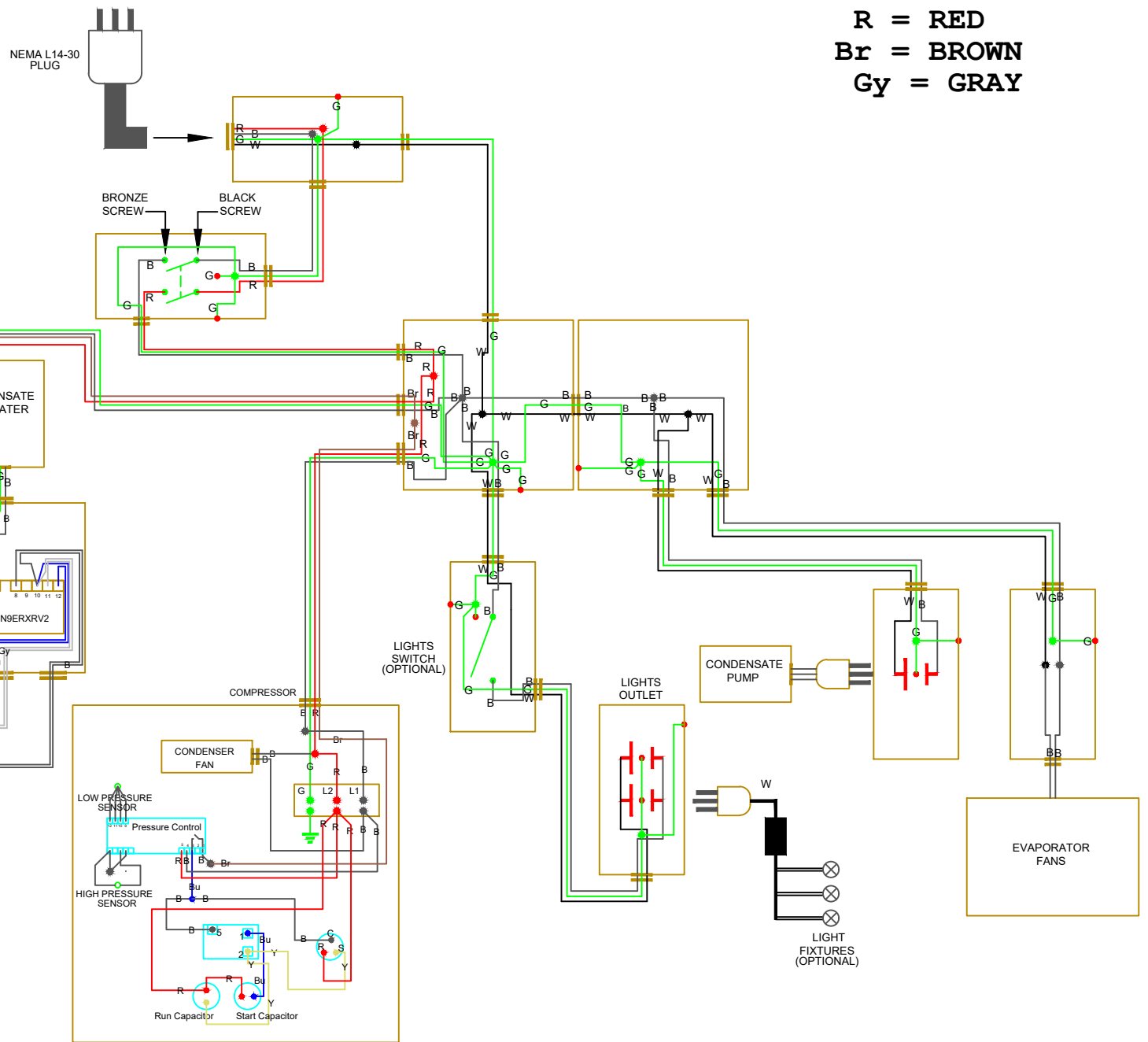


**G = GREEN**  
**W = WHITE**  
**B = BLACK**  
**R = RED**  
**Br = BROWN**  
**Gy = GRAY**

4-WIRE  
 SINGLE PHASE  
 208/230 VOLT  
 STORE POWER SUPPLY



manufactured by:  
**KILLION INDUSTRIES, INC.**  
 1380 Poinsetta Ave.  
 Vista, CA 92081  
 voice: 800-421-5352  
 fax: 760-727-5108  
 email: sales@killionindustries.com

**NOTICE**  
 THIS DOCUMENT CONTAINS CONFIDENTIAL AND PROPRIETARY MATERIAL WHICH IS THE PROPERTY OF KILLION INDUSTRIES, INC. AND MAY NOT BE COPIED OR REPRODUCED. THIS DOCUMENT IS LOANED AND SUBJECT TO RETURN UPON DEMAND.

DO NOT SCALE  
 DATE: 12/20/22  
 BY: JC

SAVED AS: 208-230 Volt CFSSC Wick Electrical EVCO.dwg

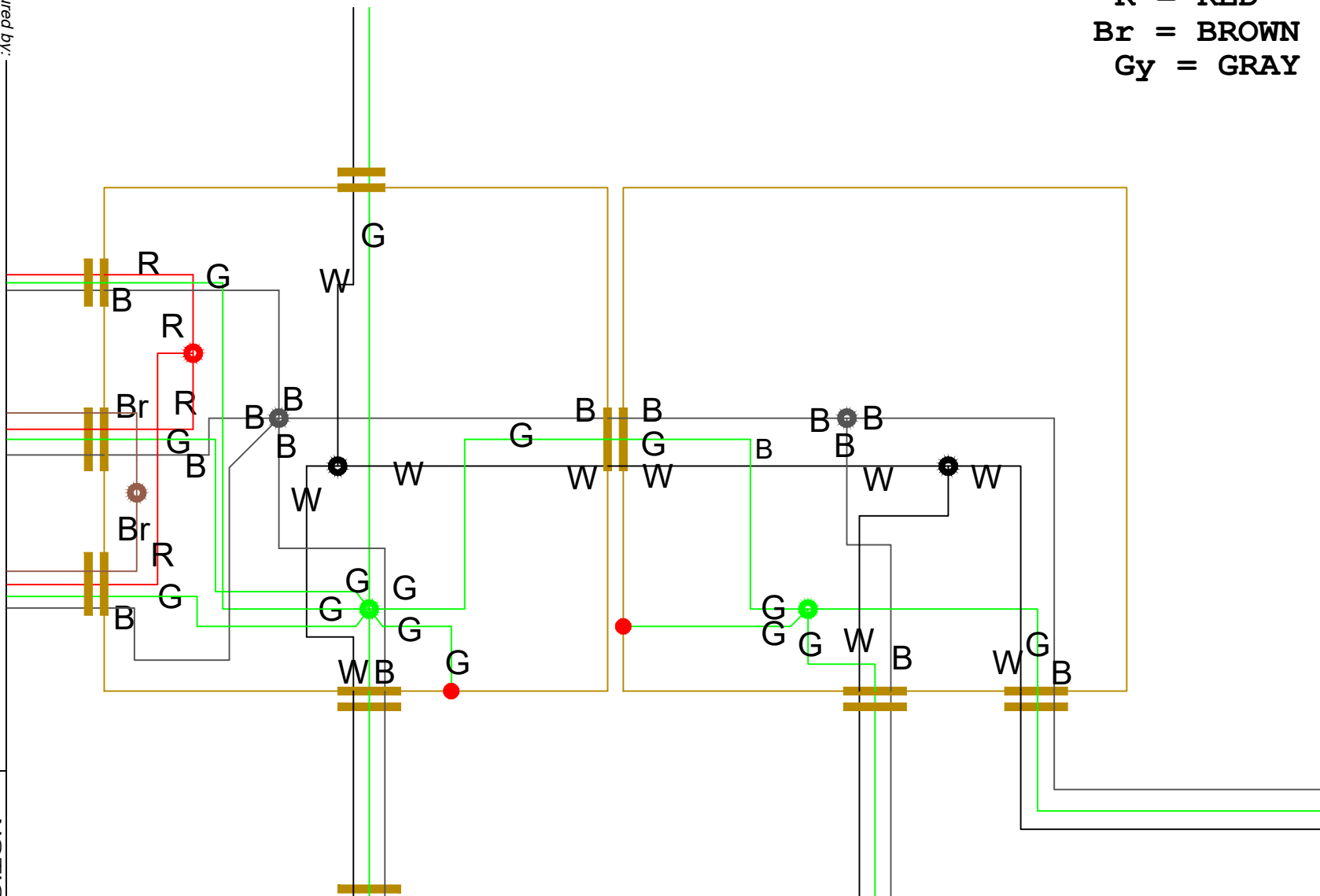
NOTE: SPECIFICATIONS ARE SUBJECT TO CHANGE WITHOUT NOTICE.

CUSTOMER:  
 GENERIC

DESCRIPTION:  
 208-230 VOLT CFSSC WALL CASE ELECTRICAL w/ PUMP

# J-BOX DETAIL

**G = GREEN**  
**W = WHITE**  
**B = BLACK**  
**R = RED**  
**Br = BROWN**  
**Gy = GRAY**



Manufactured by:



1380 Poinsettia Ave.  
Vista, CA 92081

Voice: 800-421-5352  
fax: 760-727-5108  
email: sales@killionindustries.com

### NOTICE

THIS DOCUMENT CONTAINS CONFIDENTIAL AND PROPRIETARY MATERIAL WHICH IS THE PROPERTY OF KILLION INDUSTRIES, INC. AND MAY NOT BE COPIED OR REPRODUCED. THIS DOCUMENT IS LOANED AND SUBJECT TO RETURN UPON DEMAND.

DESCRIPTION:

208-230 VOLT CFSSC WALL CASE ELECTRICAL W/ PUMP

CUSTOMER:

GENERIC

DO NOT SCALE

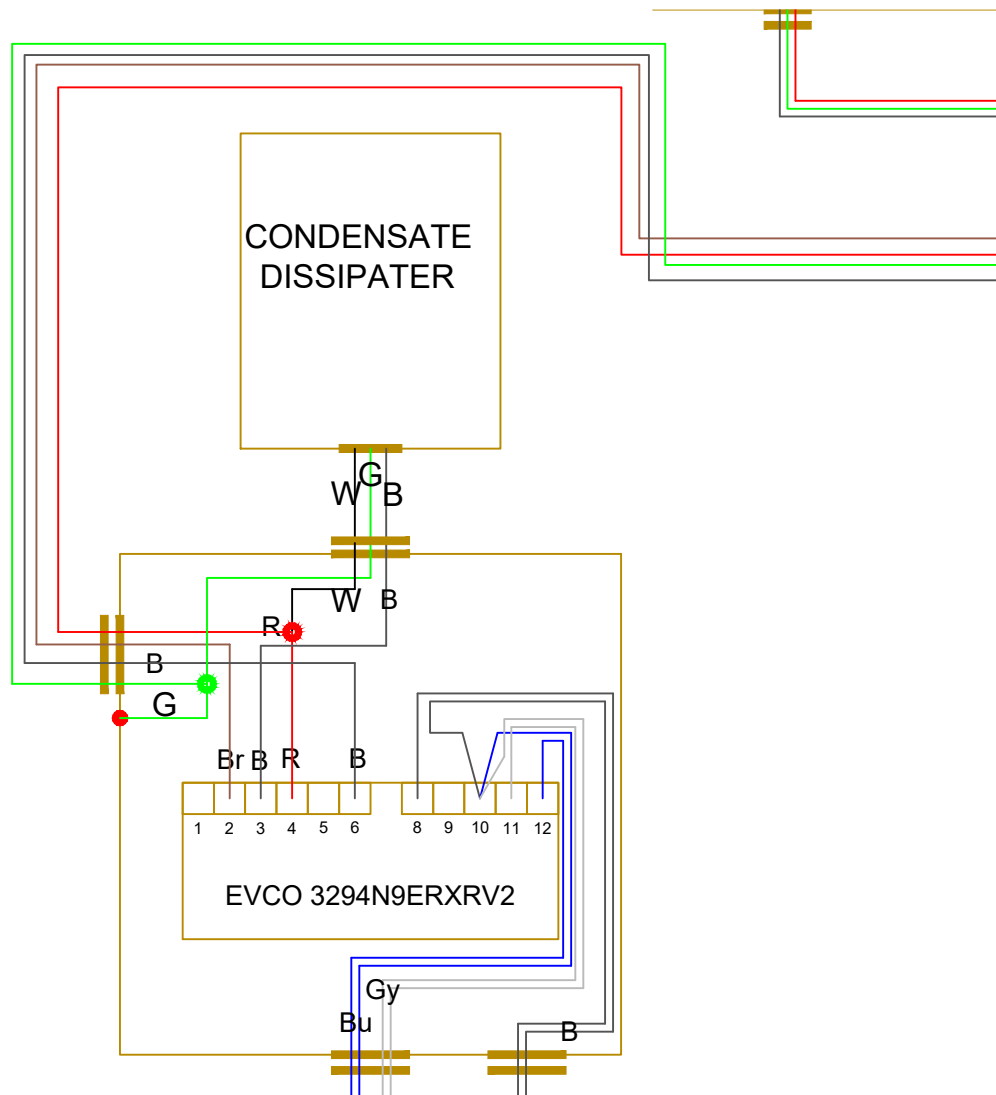
DATE: 12/20/22  
BY: JC

SAVED AS: 208-230 Volt CFSSC Wick Electrical EVCO.dwg

NOTE: SPECIFICATIONS ARE SUBJECT TO CHANGE WITHOUT NOTICE.

# CONTROLLER DETAIL

**G = GREEN**  
**W = WHITE**  
**B = BLACK**  
**R = RED**  
**Br = BROWN**  
**Gy = GRAY**



manufactured by:

1380 Poinsettia Ave.  
 Vista, CA 92081

voice: 800-421-5352  
 fax: 760-727-5108  
 email: sales@killionindustries.com

### NOTICE

THIS DOCUMENT CONTAINS CONFIDENTIAL AND PROPRIETARY MATERIAL WHICH IS THE PROPERTY OF KILLION INDUSTRIES, INC. AND MAY NOT BE COPIED OR REPRODUCED. THIS DOCUMENT IS LOANED AND SUBJECT TO RETURN UPON DEMAND.

CUSTOMER: **GENERIC**  
 DESCRIPTION: **208-230 VOLT CFSSC WALL CASE ELECTRICAL w/ PUMP**

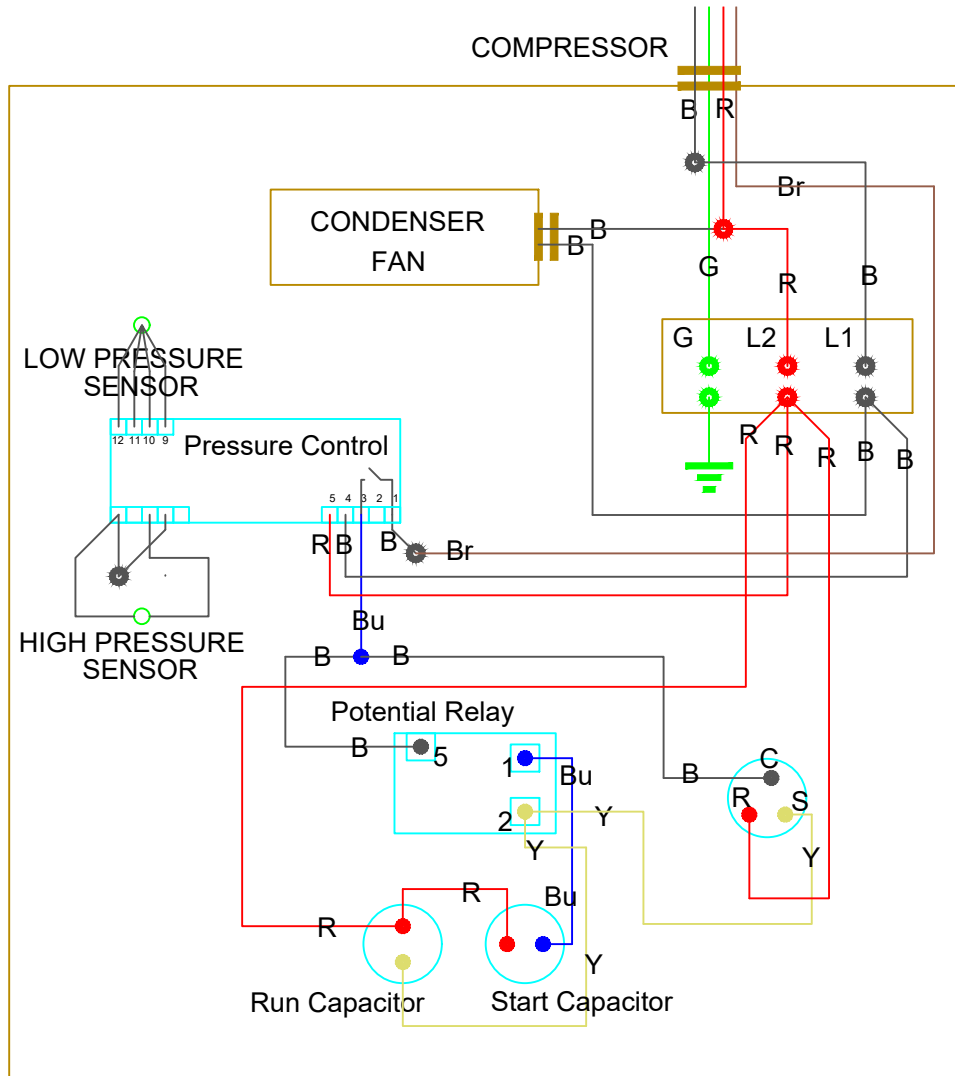
DO NOT SCALE  
 DATE: 12/20/22  
 BY: JC

SAVED AS: 208-230 Volt CFSSC Wick Electrical EVCO.dwg

NOTE: SPECIFICATIONS ARE SUBJECT TO CHANGE WITHOUT NOTICE.

# COMPRESSOR DETAIL

**G = GREEN**  
**W = WHITE**  
**B = BLACK**  
**R = RED**  
**Br = BROWN**  
**Gy = GRAY**



Manufactured by:

1380 Poinsettia Ave.  
 Vista, CA 92081

voice: 800-421-5352  
 fax: 760-727-5108  
 email: sales@killionindustries.com

## NOTICE

THIS DOCUMENT CONTAINS CONFIDENTIAL AND PROPRIETARY MATERIAL WHICH IS THE PROPERTY OF KILLION INDUSTRIES, INC. AND MAY NOT BE COPIED OR REPRODUCED. THIS DOCUMENT IS LOANED AND SUBJECT TO RETURN UPON DEMAND.

CUSTOMER: **GENERIC**  
 DESCRIPTION: **208-230 VOLT CFSSC WALL CASE ELECTRICAL w/ PUMP**

DO NOT SCALE  
 DATE: 12/20/22  
 BY: JC

SAVED AS: 208-230 Volt CFSSC Wick Electrical EVCO.dwg

NOTE: SPECIFICATIONS ARE SUBJECT TO CHANGE WITHOUT NOTICE.