

DESCRIPTION: 208-230 VOLT CAP-CIL-CEM-FFM GENERIC ELECTRICAL W/ DISSIPATER SYSTEM

CUSTOMER: GENERIC

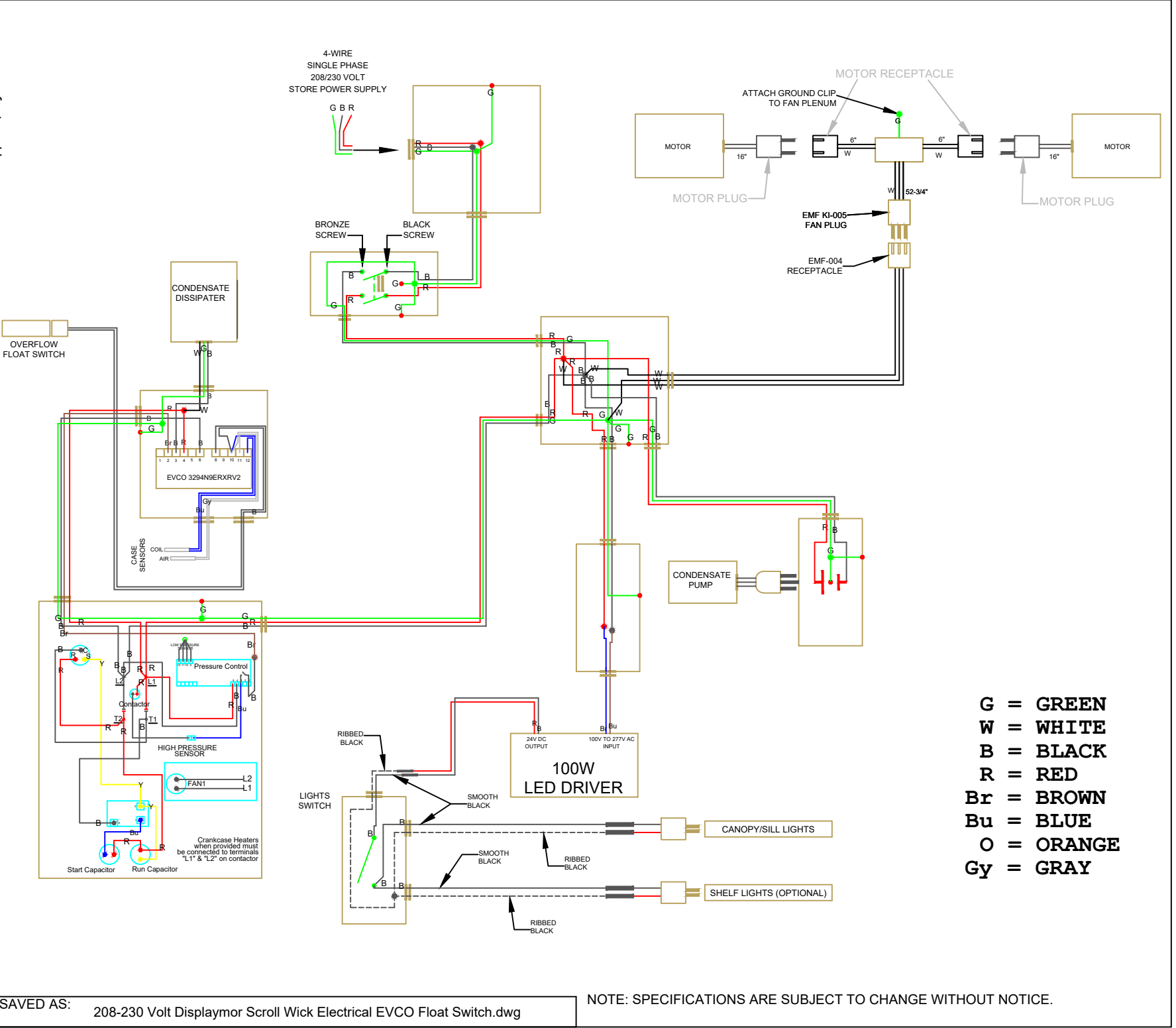
manufactured by: **KILLION INDUSTRIES, INC.**

1380 Poinsetta Ave.
Vista, CA 92081

voice: 800-421-5352
fax: 760-727-5108
email: sales@killionindustries.com

NOTICE
THIS DOCUMENT CONTAINS CONFIDENTIAL AND PROPRIETARY MATERIAL WHICH IS THE PROPERTY OF KILLION INDUSTRIES, INC. AND MAY NOT BE COPIED OR REPRODUCED. THIS DOCUMENT IS LOANED AND SUBJECT TO RETURN UPON DEMAND.

DO NOT SCALE
DATE: 04/28/2023
BY: JC



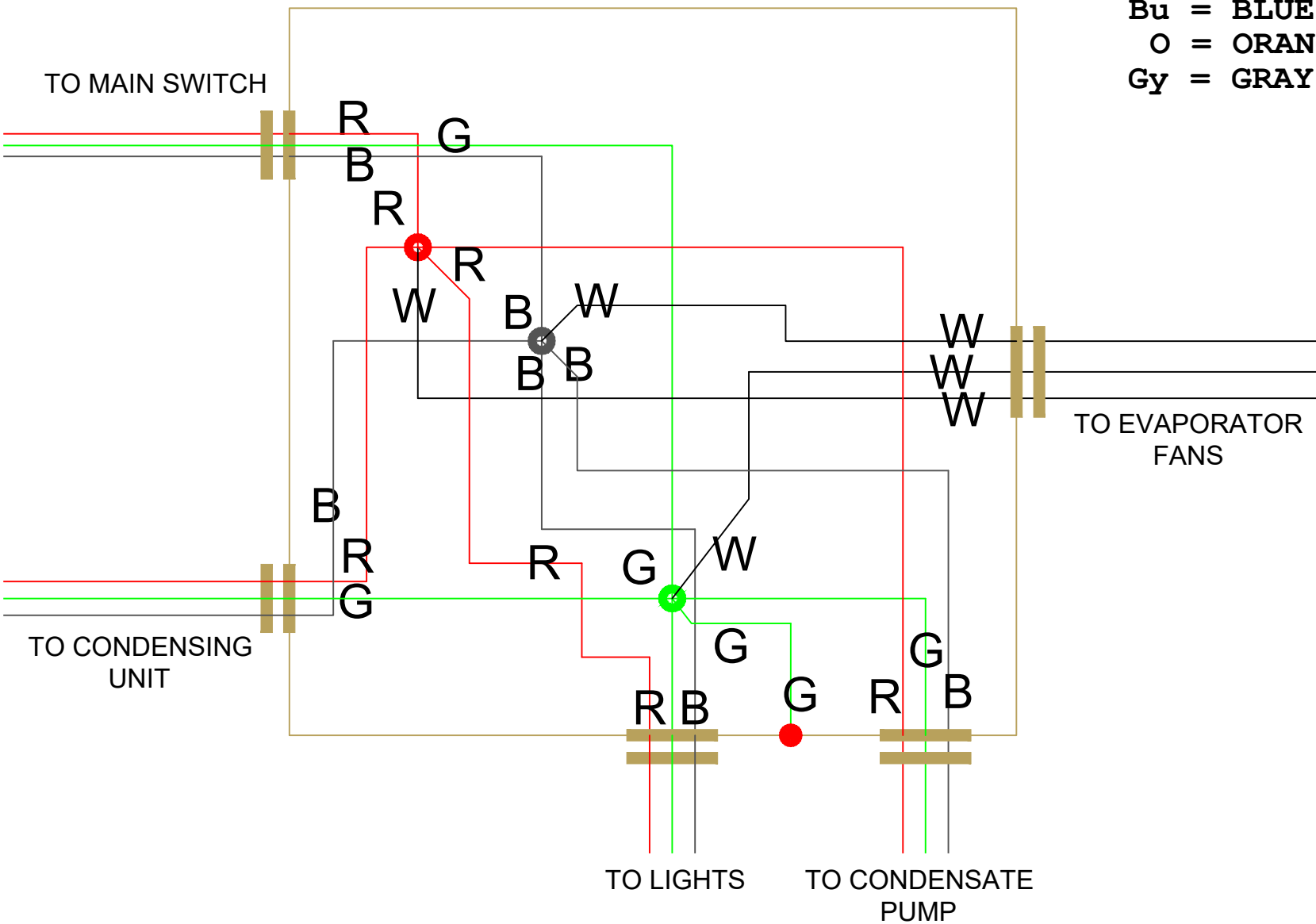
- G = GREEN
- W = WHITE
- B = BLACK
- R = RED
- Br = BROWN
- Bu = BLUE
- O = ORANGE
- Gy = GRAY

NOTE: SPECIFICATIONS ARE SUBJECT TO CHANGE WITHOUT NOTICE.

SAVED AS: 208-230 Volt Displaymor Scroll Wick Electrical EVCO Float Switch.dwg

MAIN J-BOX DETAIL

- G = GREEN
- W = WHITE
- B = BLACK
- R = RED
- Br = BROWN
- Bu = BLUE
- O = ORANGE
- Gy = GRAY



manufactured by:

1380 Poinsettia Ave.
Vista, CA 92081

voice: 800-421-5352
fax: 760-727-5108
email: sales@killionindustries.com

NOTICE

THIS DOCUMENT CONTAINS CONFIDENTIAL AND PROPRIETARY MATERIAL WHICH IS THE PROPERTY OF KILLION INDUSTRIES, INC. AND MAY NOT BE COPIED OR REPRODUCED. THIS DOCUMENT IS LOANED AND SUBJECT TO RETURN UPON DEMAND.

CUSTOMER:

DESCRIPTION: 208-230 VOLT CAP-CIL-CEM-FFM GENERIC ELECTRICAL w/ DISSIPATER SYSTEM

GENERIC

DO NOT SCALE

DATE: 04/28/2023

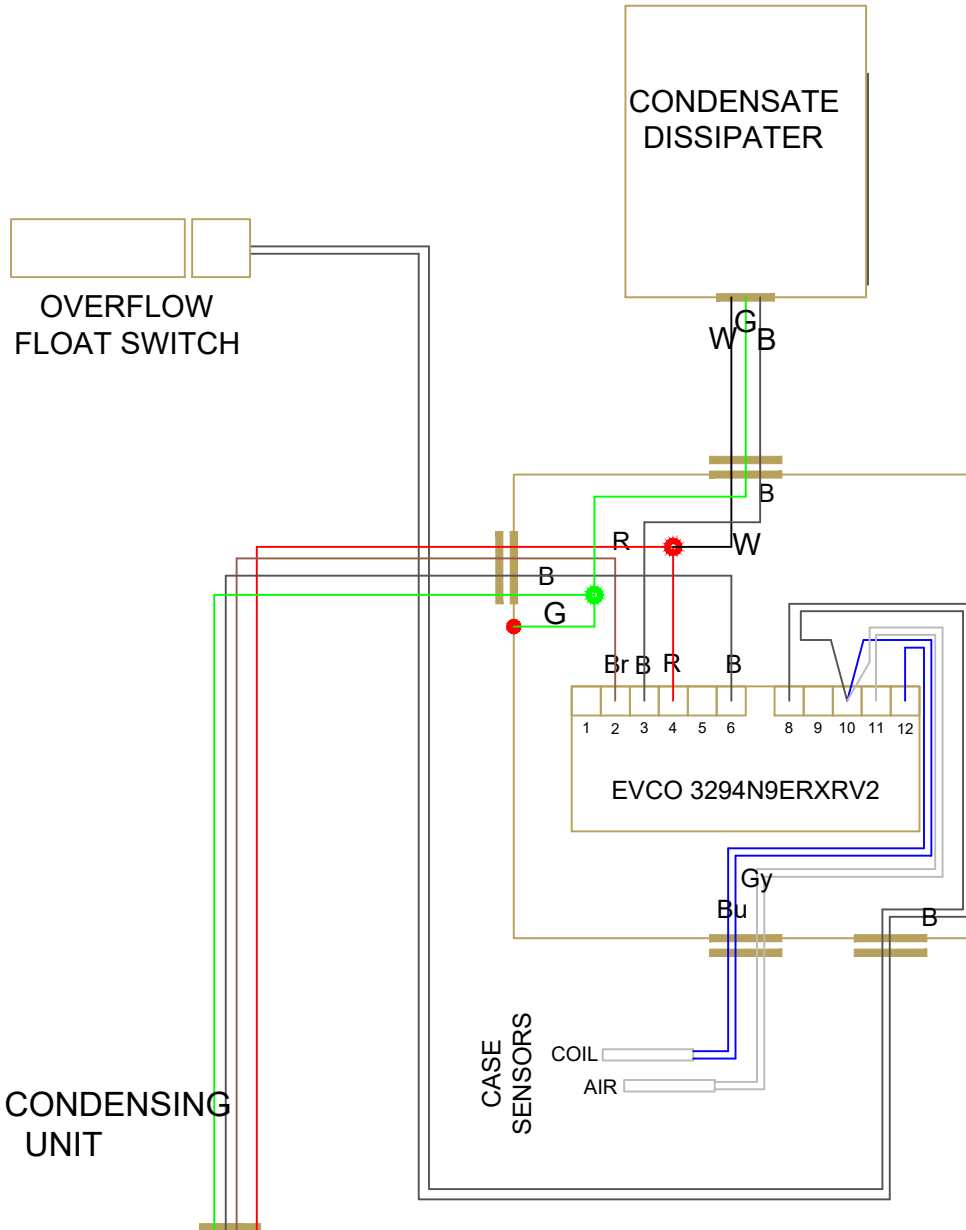
BY: JC

SAVED AS: 208-230 Volt Displaymor Scroll Wick Electrical EVCO Float Switch.dwg

NOTE: SPECIFICATIONS ARE SUBJECT TO CHANGE WITHOUT NOTICE.

CONTROLLER DETAIL

- G = GREEN**
- W = WHITE**
- B = BLACK**
- R = RED**
- Br = BROWN**
- Bu = BLUE**
- O = ORANGE**
- Gy = GRAY**



FROM CONDENSING
UNIT



Manufactured by:

1380 Poinsettia Ave.
Vista, CA 92081

Voice: 800-421-5352
fax: 760-727-5108
email: sales@killionindustries.com

NOTICE
THIS DOCUMENT CONTAINS CONFIDENTIAL AND PROPRIETARY MATERIAL WHICH IS THE PROPERTY OF KILLION INDUSTRIES, INC. AND MAY NOT BE COPIED OR REPRODUCED. THIS DOCUMENT IS LOANED AND SUBJECT TO RETURN UPON DEMAND.

DESCRIPTION: 208-230 VOLT CAP-CIL-CEM-FFM GENERIC ELECTRICAL W/ DISSIPATER SYSTEM

CUSTOMER:

GENERIC

DO NOT SCALE
DATE: 04/28/2023
BY: JC

SAVED AS: 208-230 Volt Displaymor Scroll Wick Electrical EVCO Float Switch.dwg

NOTE: SPECIFICATIONS ARE SUBJECT TO CHANGE WITHOUT NOTICE.

DESCRIPTION: 208-230 VOLT CAP-CIL-CEM-FFM GENERIC ELECTRICAL w/ DISSIPATER SYSTEM
 CUSTOMER: **killion INDUSTRIES, INC.**



1380 Poinsettia Ave.
 Vista, CA 92081

voice: 800-421-5352
 fax: 760-727-5108
 email: sales@killionindustries.com

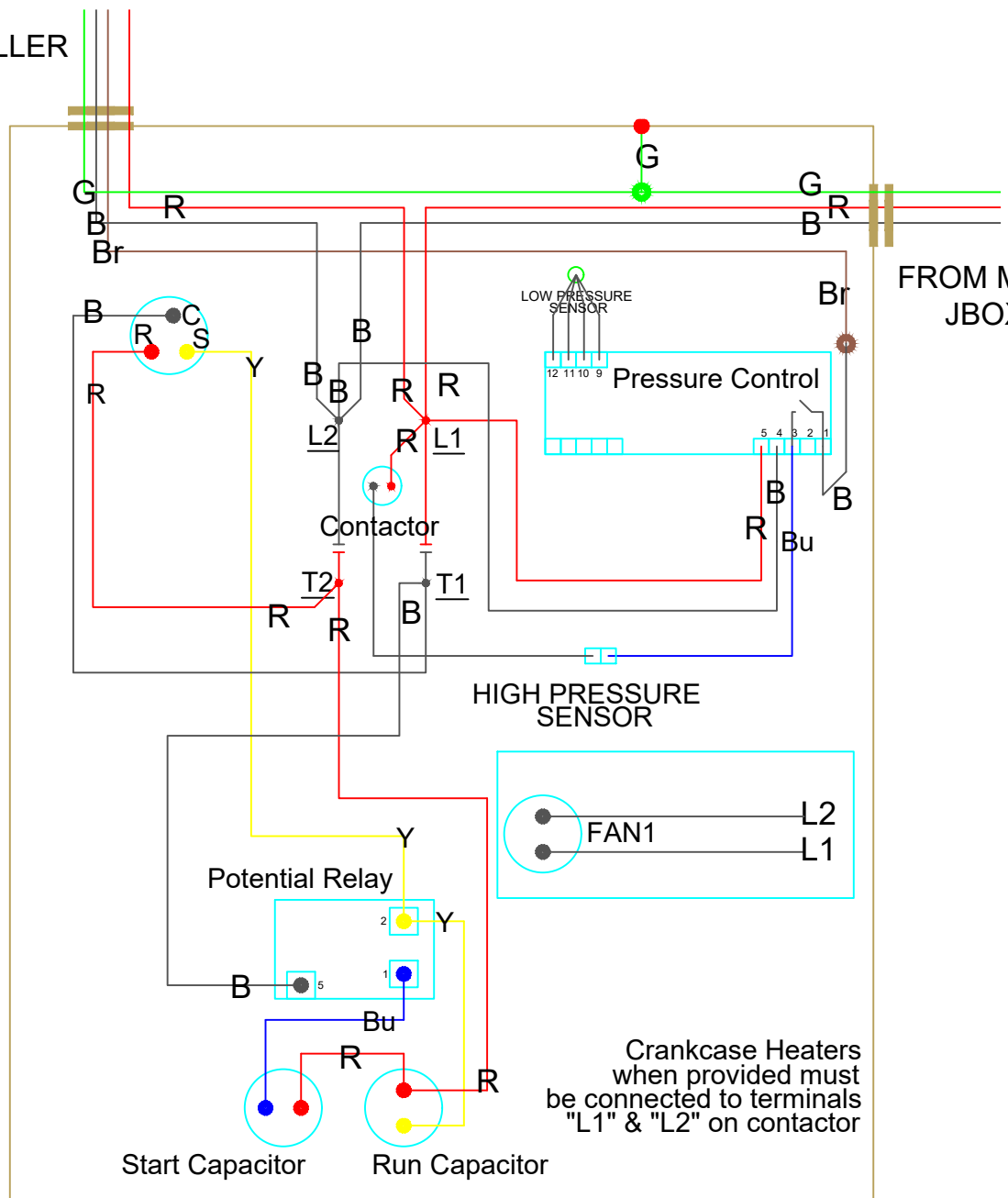
GENERIC

NOTICE
 THIS DOCUMENT CONTAINS CONFIDENTIAL AND PROPRIETARY MATERIAL WHICH IS THE PROPERTY OF KILLION INDUSTRIES, INC. AND MAY NOT BE COPIED OR REPRODUCED. THIS DOCUMENT IS LOANED AND SUBJECT TO RETURN UPON DEMAND.

COMPRESSOR DETAIL

FROM CONTROLLER

FROM MAIN JBOX



- G** == GREEN
- W** == WHITE
- B** == BLACK
- R** == RED
- Br** == BROWN
- Bu** == BLUE
- O** == ORANGE
- Gy** == GRAY

Crankcase Heaters when provided must be connected to terminals "L1" & "L2" on contactor

DO NOT SCALE
 DATE: 04/28/2023
 BY: JC

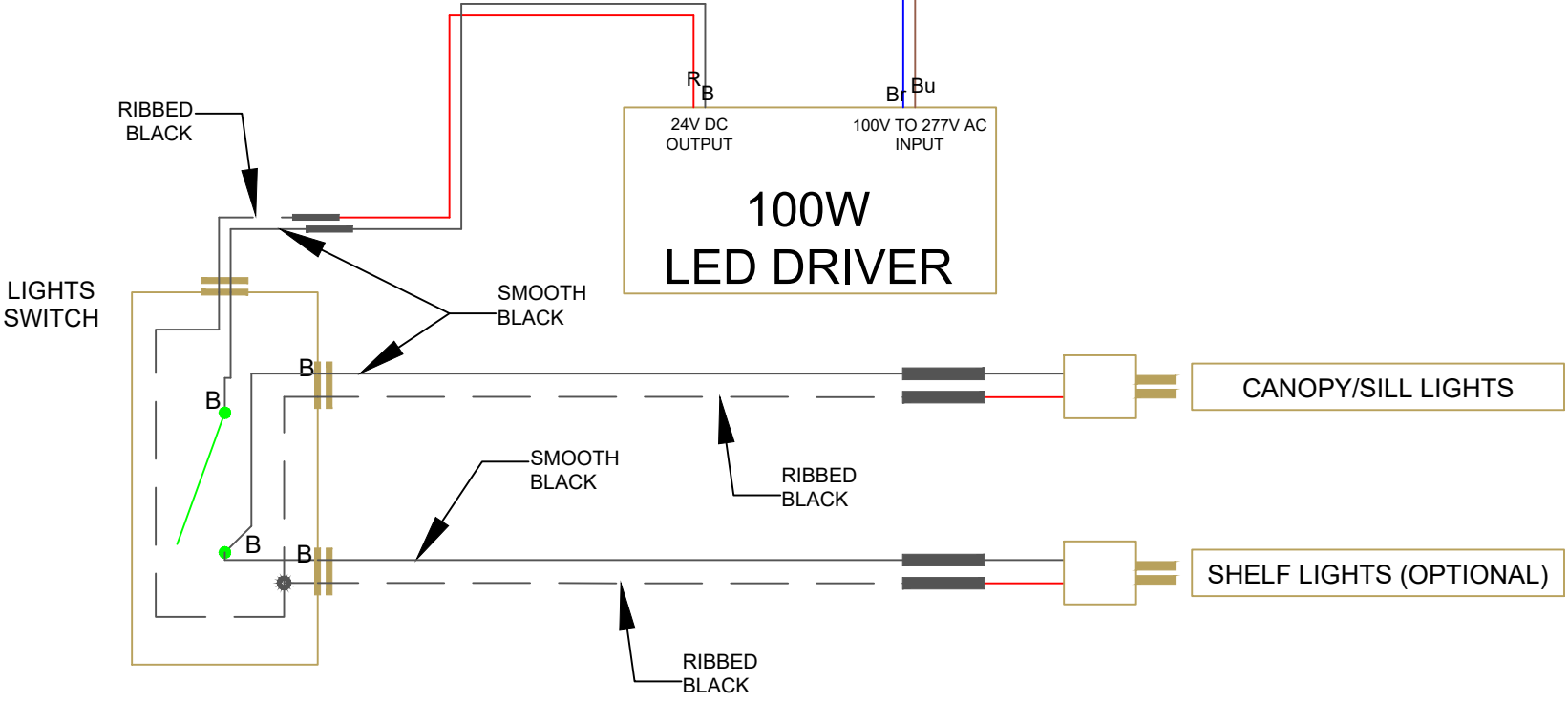
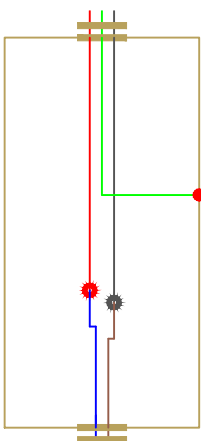
SAVED AS: 208-230 Volt Displaymor Scroll Wick Electrical EVCO Float Switch.dwg

NOTE: SPECIFICATIONS ARE SUBJECT TO CHANGE WITHOUT NOTICE.

LIGHTS DETAIL

- G** = GREEN
- W** = WHITE
- B** = BLACK
- R** = RED
- Br** = BROWN
- Bu** = BLUE
- O** = ORANGE
- Gy** = GRAY

FROM MAIN
JBOX



manufactured by:

1380 Poinsetta Ave.
Vista, CA 92081

voice: 800-421-5352
fax: 760-727-5108
email: sales@killionindustries.com

NOTICE

THIS DOCUMENT CONTAINS CONFIDENTIAL AND PROPRIETARY MATERIAL WHICH IS THE PROPERTY OF KILLION INDUSTRIES, INC. AND MAY NOT BE COPIED OR REPRODUCED. THIS DOCUMENT IS UNCLASSIFIED AND SUBJECT TO RETURN UPON DEMAND.

DESCRIPTION: 208-230 VOLT CAP-CIL-CEM-FFM GENERIC ELECTRICAL w/ DISSIPATER SYSTEM
CUSTOMER: GENERIC

DO NOT SCALE
DATE: 04/28/2023
BY: JC

SAVED AS: 208-230 Volt Displaymor Scroll Wick Electrical EVCO Float Switch.dwg

NOTE: SPECIFICATIONS ARE SUBJECT TO CHANGE WITHOUT NOTICE.