

CUSTOMER:

DESCRIPTION: 208/230 VOLT FFM-93-57-99-FRONT w/ HIGH VOLUME CONDENSATE PUMP

KILLION SL



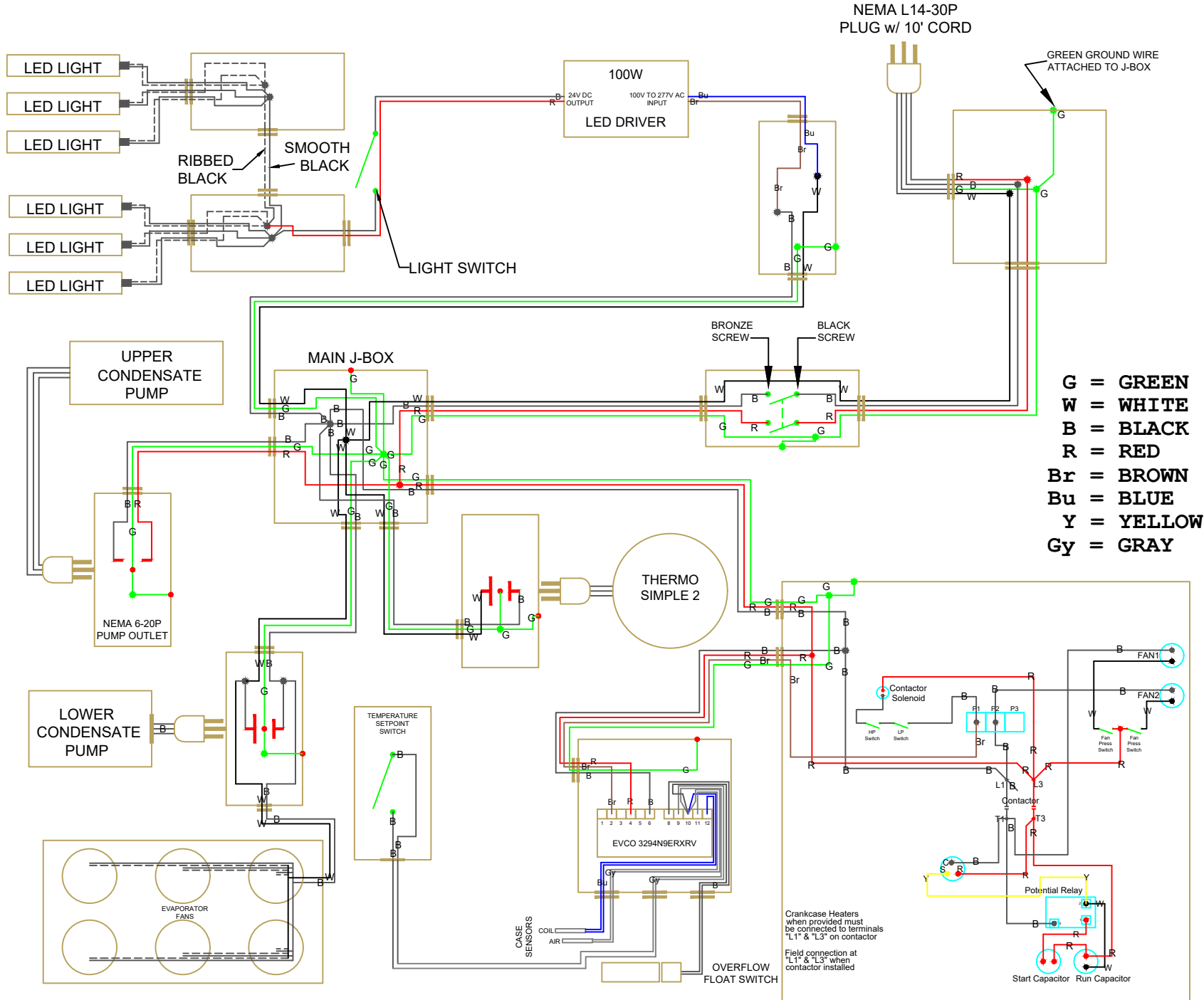
1380 Poinsettia Ave.  
Vista, CA 92081

voice: 800-421-5352  
fax: 760-727-1622  
email: sales@killionindustries.com

manufactured by:

**NOTICE**

THIS DOCUMENT CONTAINS CONFIDENTIAL AND PROPRIETARY MATERIAL WHICH IS THE PROPERTY OF KILLION INDUSTRIES, INC. AND MAY NOT BE COPIED, REPRODUCED, OR TRANSMITTED IN ANY FORM OR BY ANY MEANS, ELECTRONIC OR MECHANICAL, INCLUDING PHOTOCOPYING, RECORDING, OR BY ANY INFORMATION STORAGE AND RETRIEVAL SYSTEM, WITHOUT THE WRITTEN PERMISSION OF KILLION INDUSTRIES, INC.



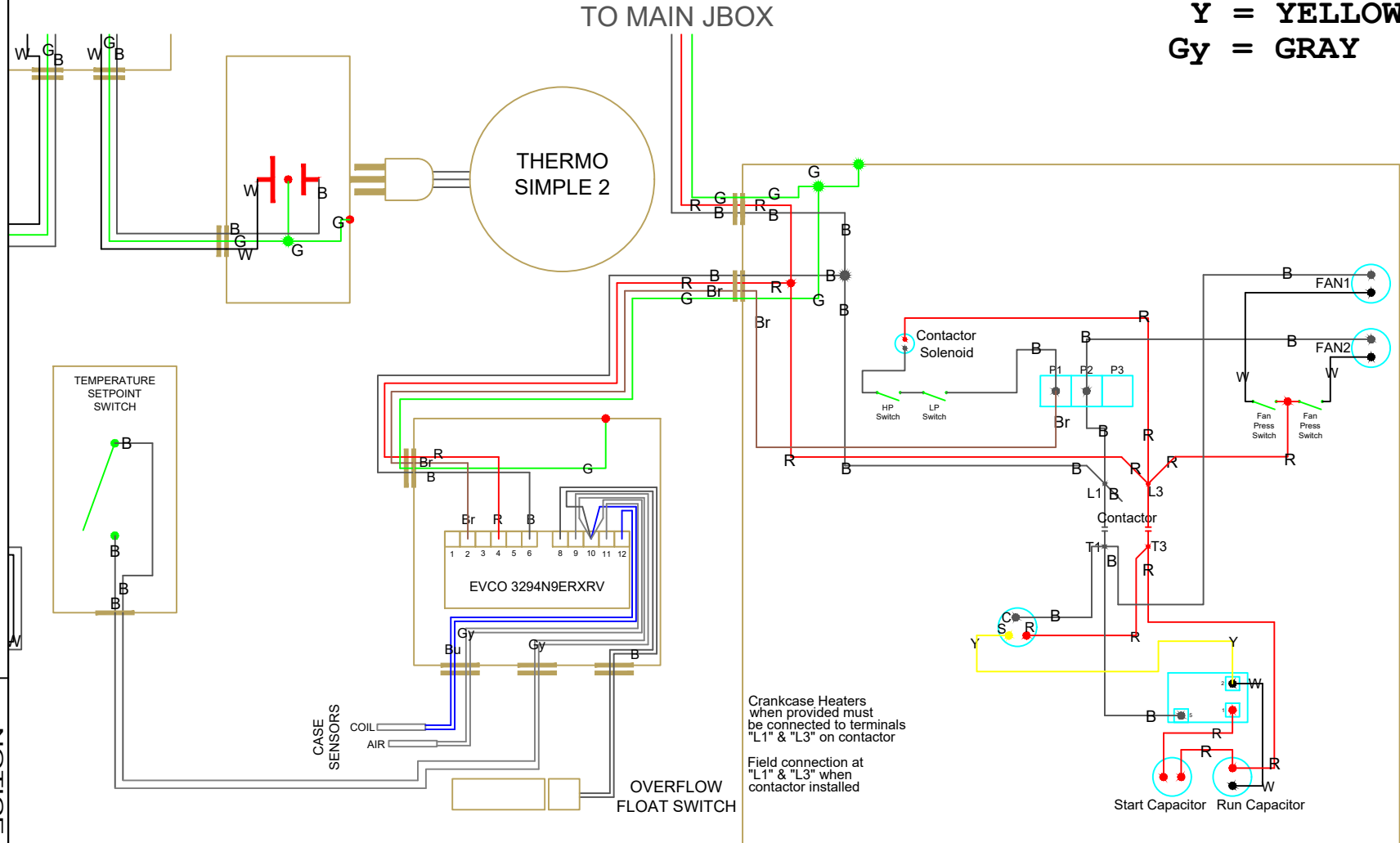
DO NOT SCALE  
DATE: 08/09/2022  
BY: JC

SAVED AS: 208-230 Volt FFM-FRONT Bulk Electrical w Condensate Pump TEC D.dwg

NOTE: SPECIFICATIONS ARE SUBJECT TO CHANGE WITHOUT NOTICE.

# CONTROLLER DETAIL CONDENSER DETAIL

- G = GREEN**
- W = WHITE**
- B = BLACK**
- R = RED**
- Br = BROWN**
- Bu = BLUE**
- Y = YELLOW**
- Gy = GRAY**



Crankcase Heaters when provided must be connected to terminals "L1" & "L3" on contactor  
Field connection at "L1" & "L3" when contactor installed

manufactured by:  
**KILLION INDUSTRIES, INC.**  
1380 Poinsettia Ave.  
Vista, CA 92081

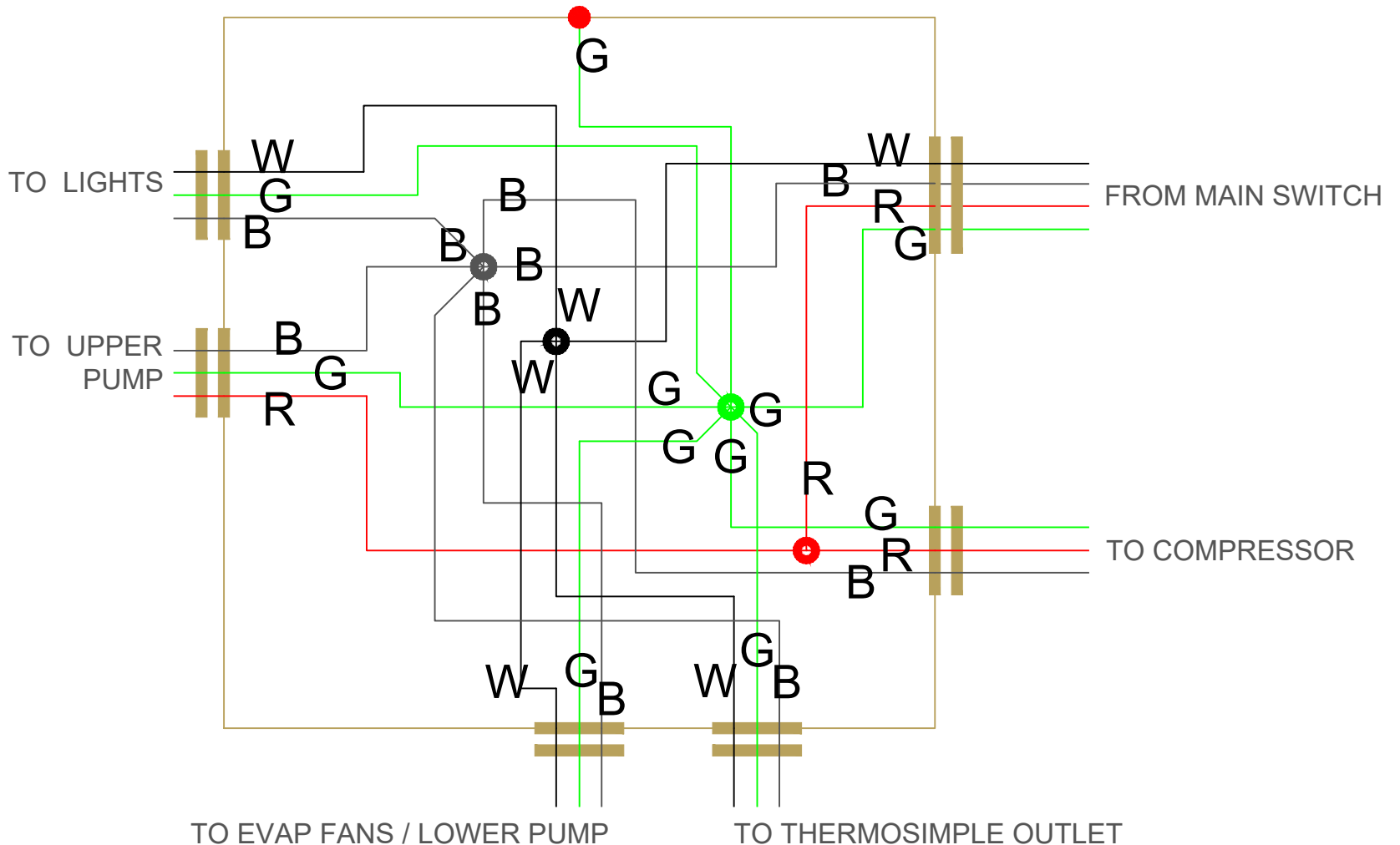
voice: 800-421-5352  
fax: 760-727-1622  
email: sales@killionindustries.com

DESCRIPTION: 208/230 VOLT FFM-93-57-99-FRONT w/ HIGH VOLUME CONDENSATE PUMP  
CUSTOMER: KILLION SL

**NOTICE**  
THIS DOCUMENT CONTAINS CONFIDENTIAL AND PROPRIETARY MATERIAL WHICH IS THE PROPERTY OF KILLION INDUSTRIES, INC. AND MAY NOT BE COPIED, REPRODUCED, OR DISCLOSED TO OTHERS WITHOUT THE WRITTEN PERMISSION AND SUBJECT TO RETURN UPON DEMAND.

# MAIN J-BOX DETAIL

- G = GREEN
- W = WHITE
- B = BLACK
- R = RED
- Br = BROWN
- Bu = BLUE
- Y = YELLOW
- Gy = GRAY



manufactured by:

1380 Poinsettia Ave.  
Vista, CA 92081

voice: 800-421-5352  
fax: 760-727-1622  
email: sales@killionindustries.com

**NOTICE**  
THIS DOCUMENT CONTAINS CONFIDENTIAL AND PROPRIETARY MATERIAL WHICH IS THE PROPERTY OF KILLION INDUSTRIES, INC. AND MAY NOT BE COPIED, REPRODUCED, OR DISCLOSED TO OTHERS WITHOUT THE WRITTEN PERMISSION AND SUBJECT TO RETURN UPON DEMAND.

DESCRIPTION: 208/230 VOLT FFM-93-57-99-FRONT w/ HIGH VOLUME CONDENSATE PUMP  
CUSTOMER: KILLION SL

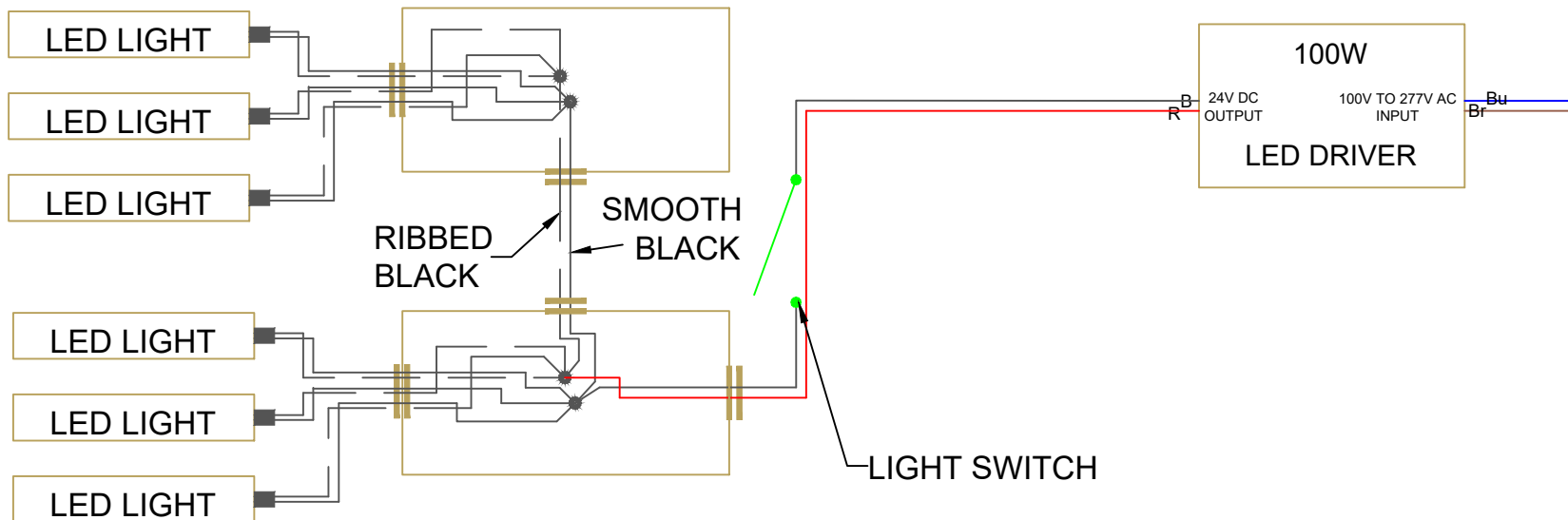
DO NOT SCALE  
DATE: 08/09/2022  
BY: JC

SAVED AS: 208-230 Volt FFM-FRONT Bulk Electrical w Condensate Pump TEC D.dwg

NOTE: SPECIFICATIONS ARE SUBJECT TO CHANGE WITHOUT NOTICE.

# LIGHT J-BOX DETAIL

**G = GREEN**  
**W = WHITE**  
**B = BLACK**  
**R = RED**  
**Br = BROWN**  
**Bu = BLUE**  
**Y = YELLOW**  
**Gy = GRAY**



manufactured by:



1380 Poinsettia Ave.  
Vista, CA 92081

voice: 800-421-5352  
fax: 760-727-1622  
email: sales@killionindustries.com

**NOTICE**

THIS DOCUMENT CONTAINS CONFIDENTIAL AND PROPRIETARY MATERIAL WHICH IS THE PROPERTY OF KILLION INDUSTRIES, INC. AND MAY NOT BE COPIED, REPRODUCED, OR DISCLOSED TO OTHERS WITHOUT THE WRITTEN PERMISSION OF KILLION INDUSTRIES, INC. AND IS SUBJECT TO RETURN UPON DEMAND.

DESCRIPTION: 208/230 VOLT FFM-93-57-99-FRONT w/ HIGH VOLUME CONDENSATE PUMP  
CUSTOMER: KILLION SL

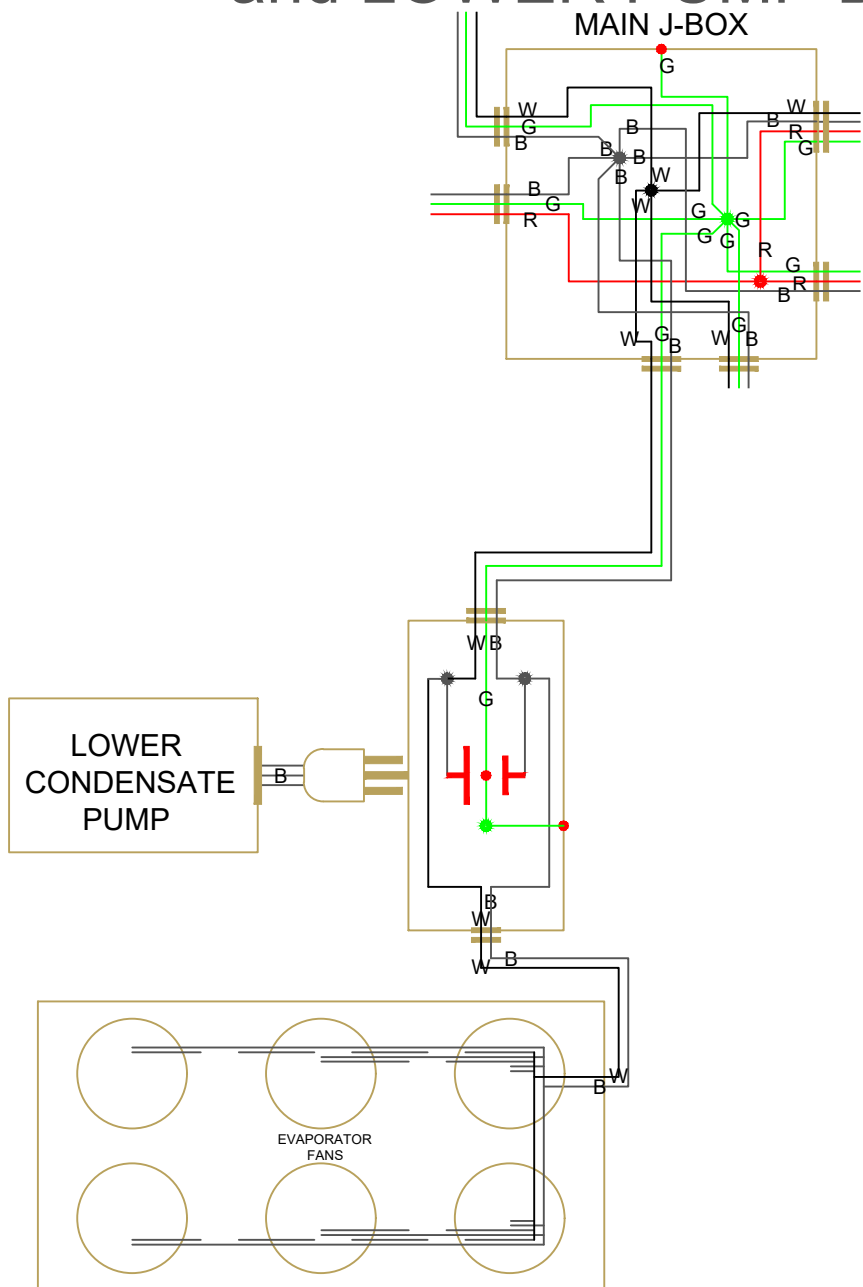
DO NOT SCALE  
DATE: 08/09/2022  
BY: JC

SAVED AS: 208-230 Volt FFM-FRONT Bulk Electrical w Condensate Pump TEC D.dwg

NOTE: SPECIFICATIONS ARE SUBJECT TO CHANGE WITHOUT NOTICE.

# EVAPORATOR FANS and LOWER PUMP DETAIL

- G = GREEN
- W = WHITE
- B = BLACK
- R = RED
- Br = BROWN
- Bu = BLUE
- Y = YELLOW
- Gy = GRAY



Manufactured by:

1380 Poinsettia Ave.  
Vista, CA 92081

voice: 800-421-5352  
fax: 760-727-1622  
email: sales@killionindustries.com

**NOTICE**  
THIS DOCUMENT CONTAINS CONFIDENTIAL AND PROPRIETARY MATERIAL WHICH IS THE PROPERTY OF KILLION INDUSTRIES, INC. AND MAY NOT BE COPIED, REPRODUCED, OR OTHERWISE USED, STORED AND SALES TO RETURN UPON DEMAND.

DESCRIPTION: 208/230 VOLT FFM-93-57-99-FRONT w/ HIGH VOLUME CONDENSATE PUMP  
CUSTOMER: KILLION SL

DO NOT SCALE  
DATE: 08/09/2022  
BY: JC

SAVED AS: 208-230 Volt FFM-FRONT Bulk Electrical w Condensate Pump TEC D.dwg

NOTE: SPECIFICATIONS ARE SUBJECT TO CHANGE WITHOUT NOTICE.