

CUSTOMER:

DESCRIPTION: 208/230 VOLT FFM-93-57-99-FRONT w/ HIGH VOLUME CONDENSATE PUMP

KILLION SL



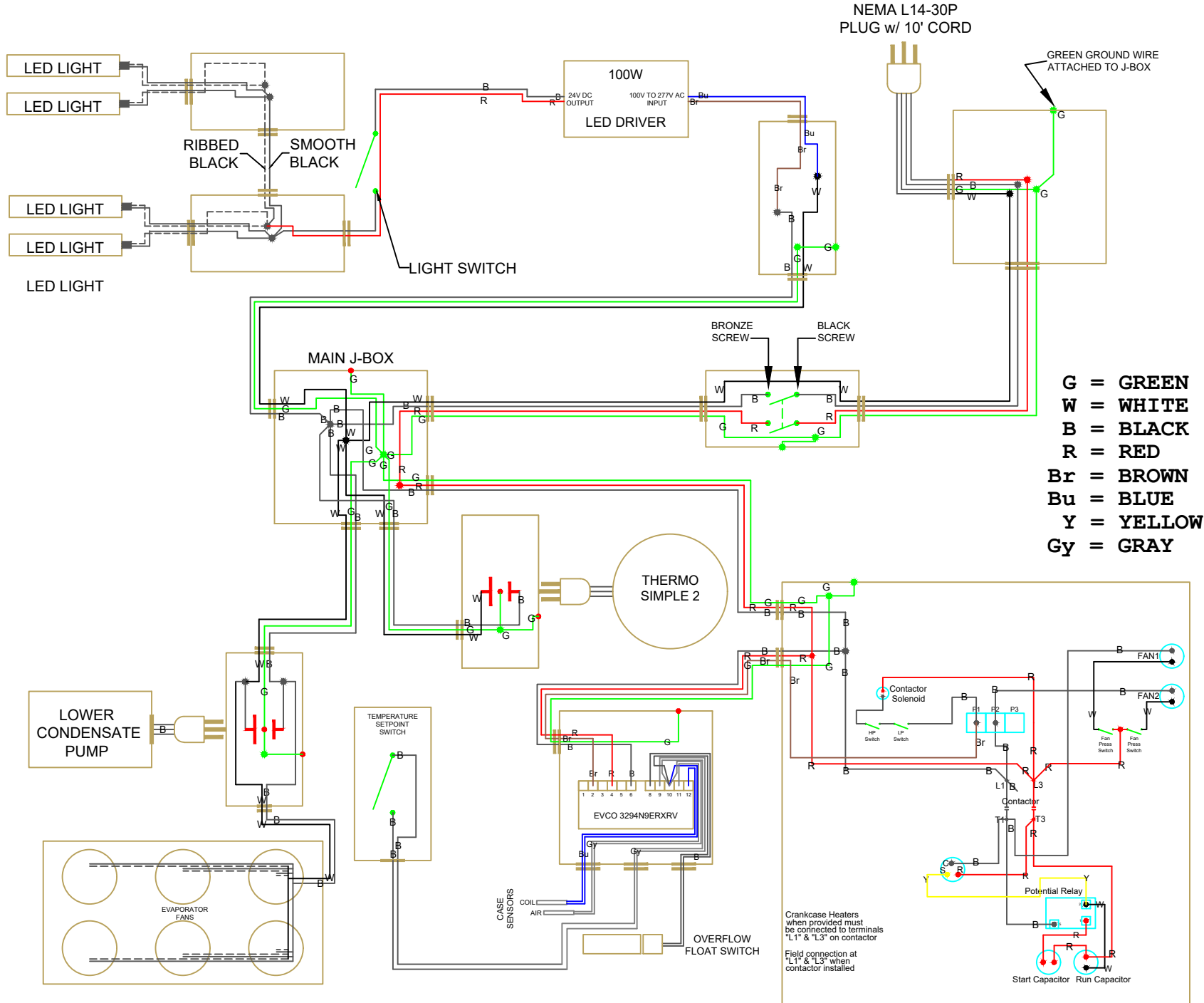
1380 Poinsettia Ave.
Vista, CA 92081

voice: 800-421-5352
fax: 760-727-1622
email: sales@killionindustries.com

Manufactured by:

NOTICE

THIS DOCUMENT CONTAINS CONFIDENTIAL AND PROPRIETARY MATERIAL WHICH IS THE PROPERTY OF KILLION INDUSTRIES, INC. AND MAY NOT BE COPIED, REPRODUCED, OR USED IN ANY MANNER WITHOUT THE WRITTEN PERMISSION AND SUBJECT TO RETURN UPON DEMAND.



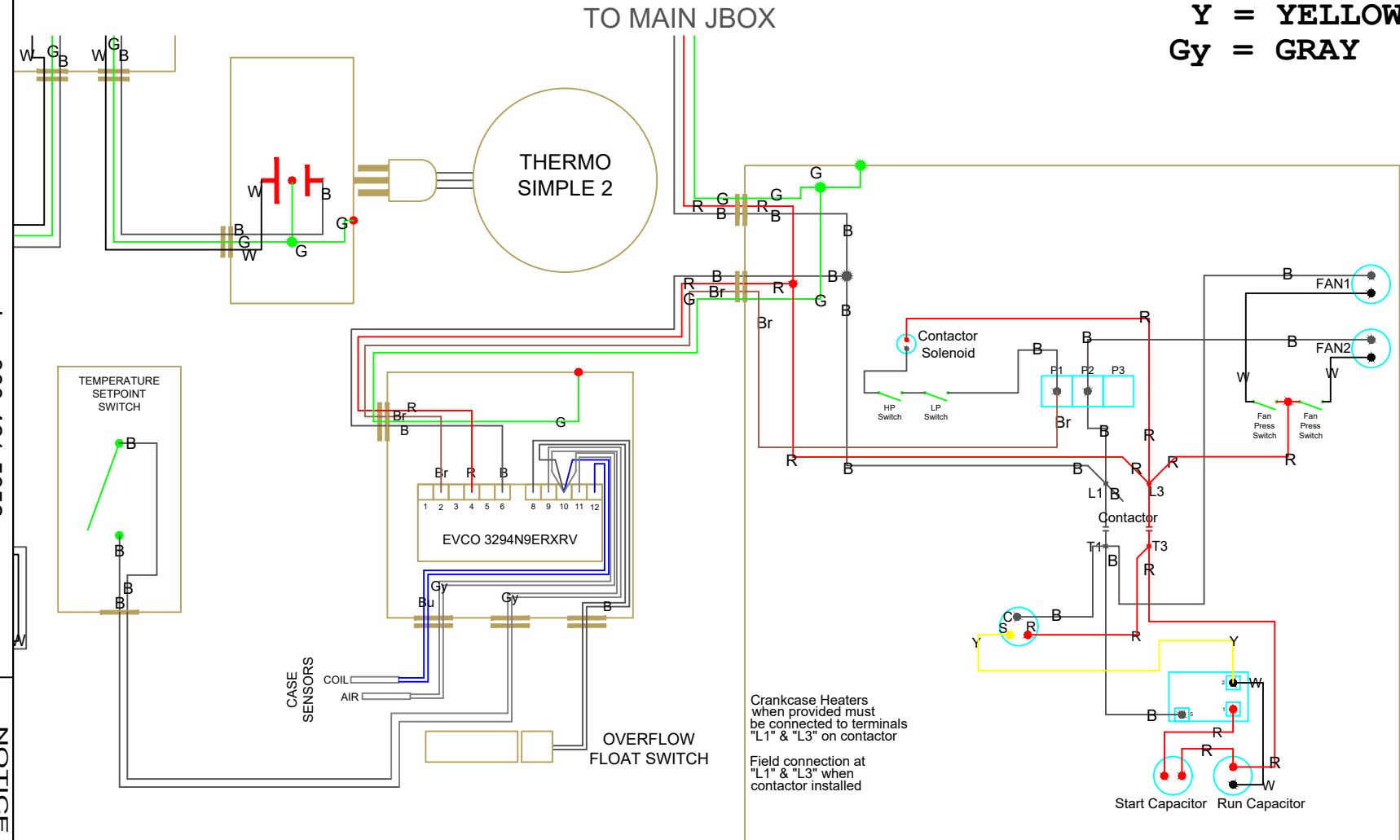
DO NOT SCALE
DATE: 09/07/2021
BY: JC

SAVED AS: 208-230 Volt FFM-REAR Bulk Electrical w Condensate Pump TEC C.dwg

NOTE: SPECIFICATIONS ARE SUBJECT TO CHANGE WITHOUT NOTICE.

CONTROLLER DETAIL CONDENSER DETAIL

- G = GREEN**
- W = WHITE**
- B = BLACK**
- R = RED**
- Br = BROWN**
- Bu = BLUE**
- Y = YELLOW**
- Gy = GRAY**



Crankcase Heaters when provided must be connected to terminals "L1" & "L3" on contactor
Field connection at "L1" & "L3" when contactor installed

manufactured by:



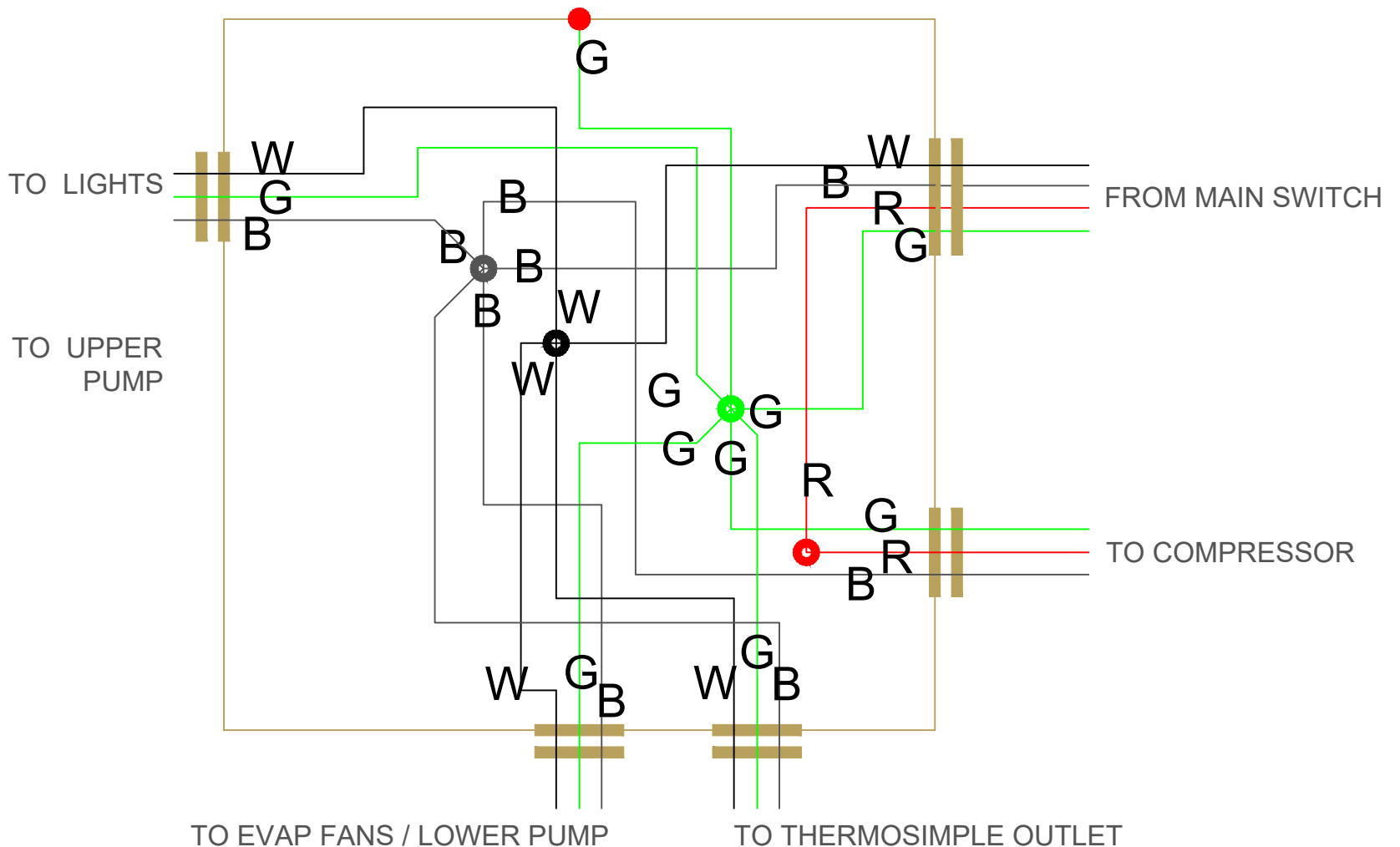
1380 Poinsettia Ave.
Vista, CA 92081

voice: 800-421-5352
fax: 760-727-1622
email: sales@killionindustries.com

NOTICE
THIS DOCUMENT CONTAINS CONFIDENTIAL AND PROPRIETARY MATERIAL WHICH IS THE PROPERTY OF KILLION INDUSTRIES, INC. AND MAY NOT BE COPIED, REPRODUCED, OR DISCLOSED TO OTHERS WITHOUT THE WRITTEN PERMISSION AND SUBJECT TO RETURN UPON DEMAND.

MAIN J-BOX DETAIL

- G = GREEN
- W = WHITE
- B = BLACK
- R = RED
- Br = BROWN
- Bu = BLUE
- Y = YELLOW
- Gy = GRAY



Manufactured by:

1380 Poinsettia Ave.
Vista, CA 92081

voice: 800-421-5352
fax: 760-727-1622
email: sales@killionindustries.com

NOTICE
THIS DOCUMENT CONTAINS CONFIDENTIAL AND PROPRIETARY MATERIAL WHICH IS THE PROPERTY OF KILLION INDUSTRIES, INC. AND MAY NOT BE COPIED, REPRODUCED, OR DISCLOSED TO OTHERS WITHOUT THE WRITTEN PERMISSION AND SUBJECT TO RETURN UPON DEMAND.

DESCRIPTION: 208/230 VOLT FFM-93-57-99-FRONT w/ HIGH VOLUME CONDENSATE PUMP
CUSTOMER: KILLION SL

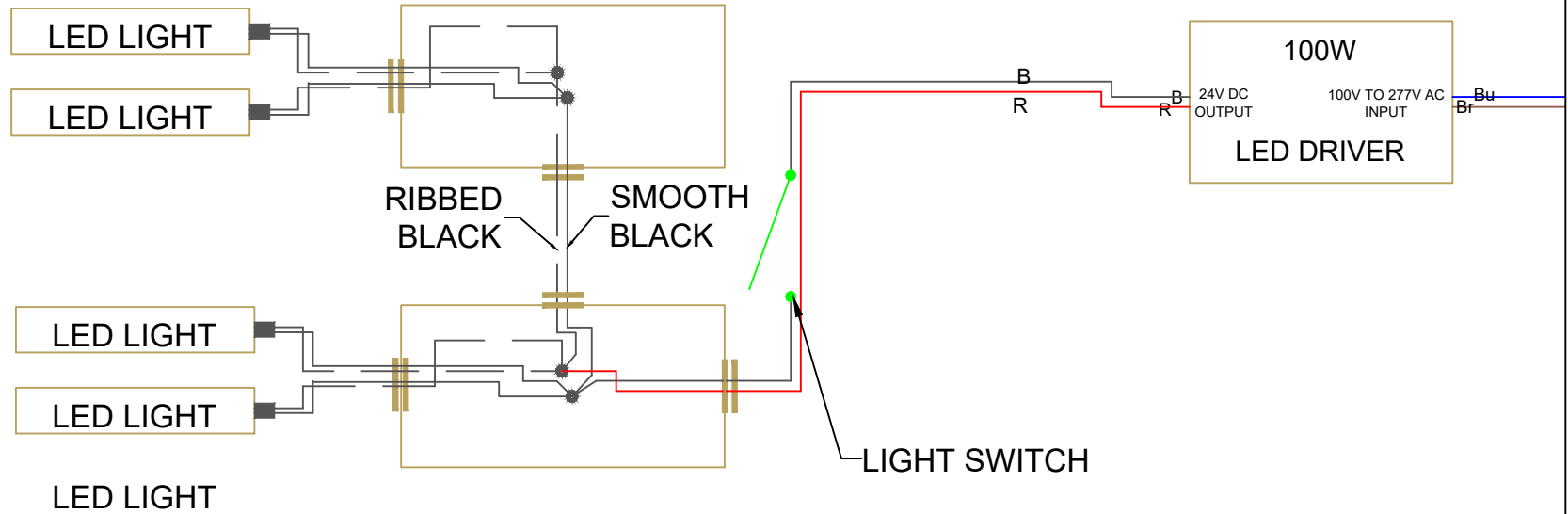
DO NOT SCALE
DATE: 09/07/2021
BY: JC

SAVED AS: 208-230 Volt FFM-REAR Bulk Electrical w/ Condensate Pump TEC C.dwg

NOTE: SPECIFICATIONS ARE SUBJECT TO CHANGE WITHOUT NOTICE.

LIGHT J-BOX DETAIL

G = GREEN
W = WHITE
B = BLACK
R = RED
Br = BROWN
Bu = BLUE
Y = YELLOW
Gy = GRAY



manufactured by:



1380 Poinsettia Ave.
Vista, CA 92081

voice: 800-421-5352
fax: 760-727-1622
email: sales@killionindustries.com

NOTICE
THIS DOCUMENT CONTAINS CONFIDENTIAL AND PROPRIETARY MATERIAL WHICH IS THE PROPERTY OF KILLION INDUSTRIES, INC. AND MAY NOT BE COPIED, REPRODUCED, OR DISCLOSED TO OTHERS WITHOUT THE WRITTEN PERMISSION OF KILLION INDUSTRIES, INC. AND IS SUBJECT TO RETURN UPON DEMAND.

DESCRIPTION: 208/230 VOLT FFM-93-57-99-FRONT w/ HIGH VOLUME CONDENSATE PUMP

CUSTOMER:

KILLION SL

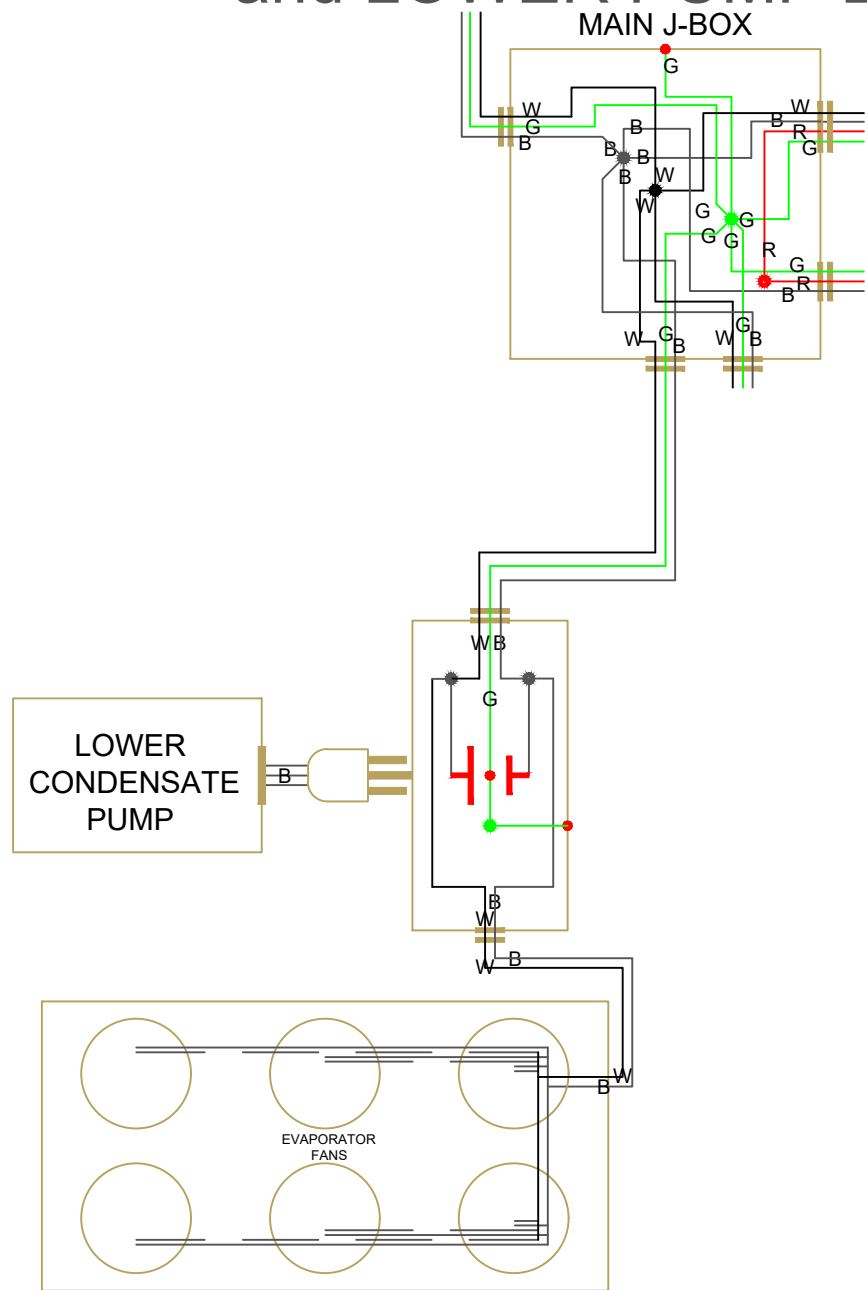
DO NOT SCALE
DATE: 09/07/2021
BY: JC

SAVED AS: 208-230 Volt FFM-REAR Bulk Electrical w Condensate Pump TEC C.dwg

NOTE: SPECIFICATIONS ARE SUBJECT TO CHANGE WITHOUT NOTICE.

EVAPORATOR FANS and LOWER PUMP DETAIL

- G = GREEN
- W = WHITE
- B = BLACK
- R = RED
- Br = BROWN
- Bu = BLUE
- Y = YELLOW
- Gy = GRAY



Manufactured by:

1380 Poinsettia Ave.
Vista, CA 92081

voice: 800-421-5352
fax: 760-727-1622
email: sales@killionindustries.com

NOTICE
THIS DOCUMENT CONTAINS CONFIDENTIAL AND PROPRIETARY MATERIAL WHICH IS THE PROPERTY OF KILLION INDUSTRIES, INC. AND MAY NOT BE COPIED, REPRODUCED, OR OTHERWISE USED, STORED, OR TRANSMITTED IN ANY FORM OR BY ANY MEANS, WITHOUT THE WRITTEN PERMISSION OF KILLION INDUSTRIES, INC.

DESCRIPTION: 208/230 VOLT FFM-93-57-99-FRONT w/ HIGH VOLUME CONDENSATE PUMP
CUSTOMER: KILLION SL