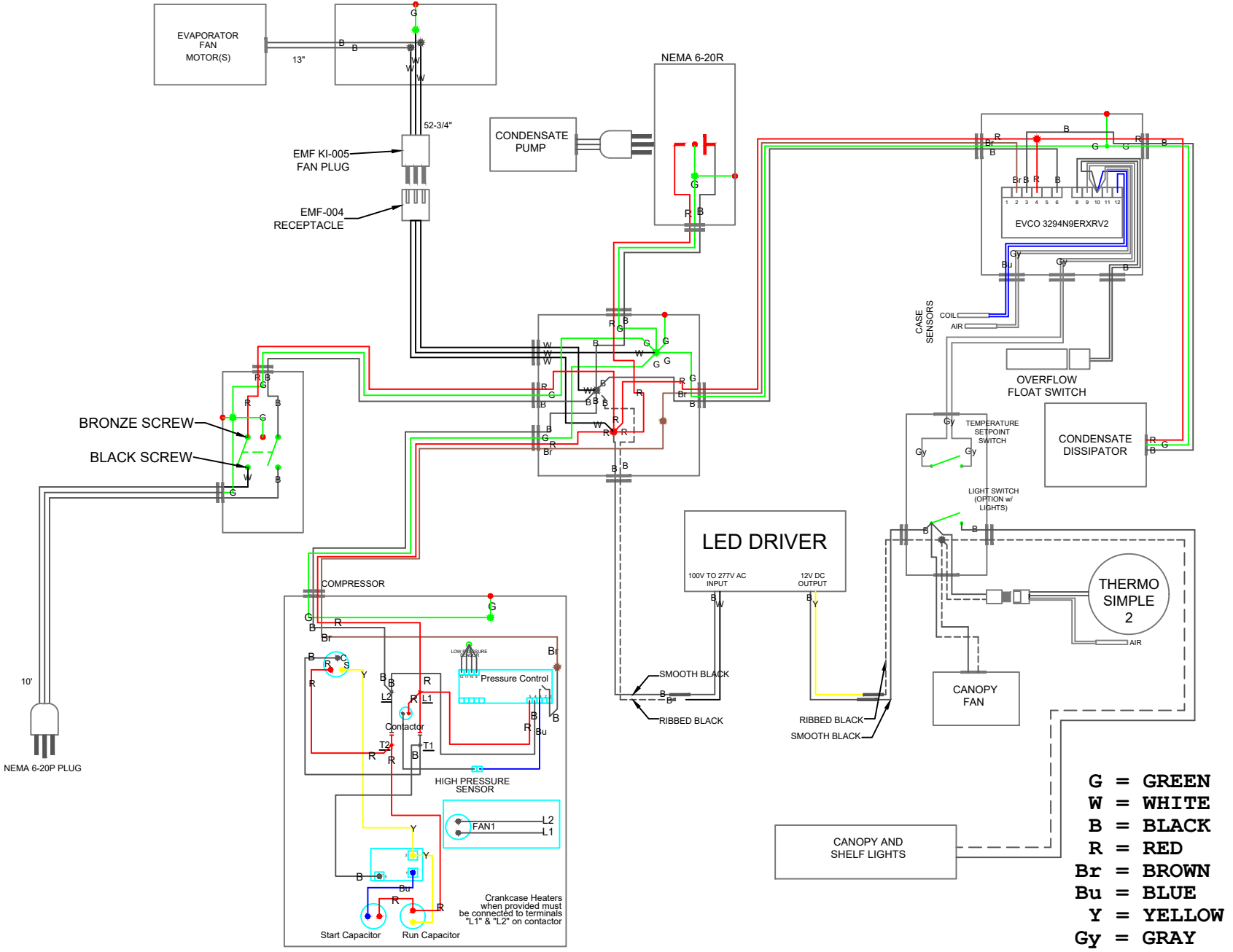


manufactured by: **KILLION INDUSTRIES, INC.**  
 1380 Poinsettia Ave.  
 Vista, CA 92081  
 voice: 800-421-5352  
 fax: 760-727-1622  
 email: sales@killionindustries.com  
 DESCRIPTION: 208/230 VOLT FSI MOBILE W/ WICK  
 CUSTOMER: KILLION SL  
 NOTICE: THIS DOCUMENT CONTAINS CONFIDENTIAL AND PROPRIETARY MATERIAL WHICH IS THE PROPERTY OF KILLION INDUSTRIES, INC. AND MAY NOT BE COPIED OR REPRODUCED. THIS DOCUMENT IS LOANED AND SUBJECT TO RETURN UPON DEMAND.

**MAIN WIRING HARNESS**

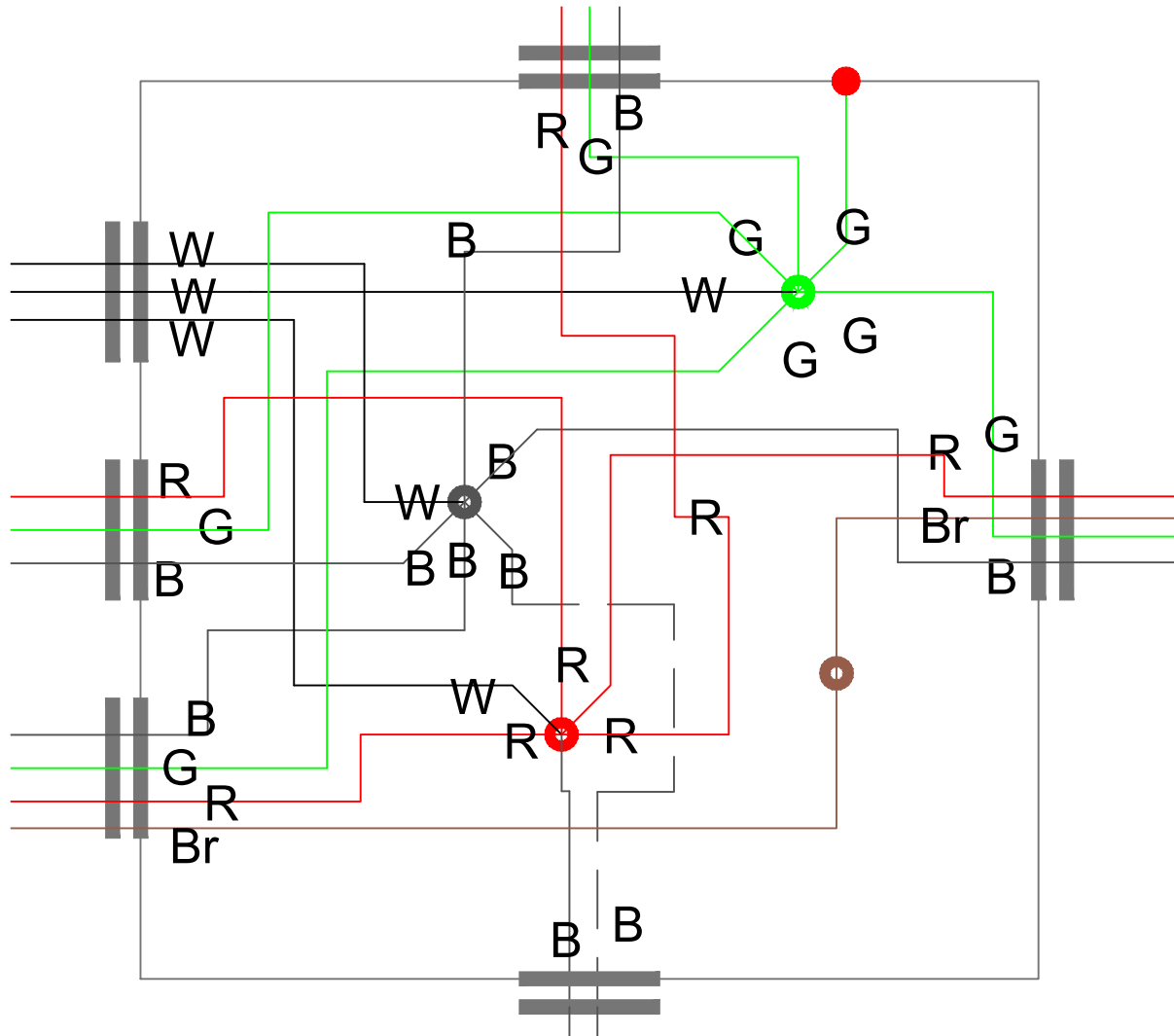


DO NOT SCALE  
 DATE: 06/29/2023  
 BY: JC

SAVED AS: 208-230 Volt FSI Mobile Wick Electrical EVCO

NOTE: SPECIFICATIONS ARE SUBJECT TO CHANGE WITHOUT NOTICE.

# J-BOX DETAIL



- G = GREEN
- W = WHITE
- B = BLACK
- R = RED
- Br = BROWN
- Bu = BLUE
- Y = YELLOW
- Gy = GRAY

manufactured by:



1380 Poinsettia Ave.  
Vista, CA 92081

voice: 800-421-5352  
fax: 760-727-1622  
email: sales@killionindustries.com

DESCRIPTION:

208/230 VOLT FSI MOBILE W/ WICK

CUSTOMER:

KILLION SL

## NOTICE

THIS DOCUMENT CONTAINS CONFIDENTIAL AND PROPRIETARY MATERIAL WHICH IS THE PROPERTY OF KILLION INDUSTRIES, INC. AND MAY NOT BE COPIED OR REPRODUCED. THIS DOCUMENT IS LOANED AND SUBJECT TO RETURN UPON DEMAND.

DO NOT SCALE

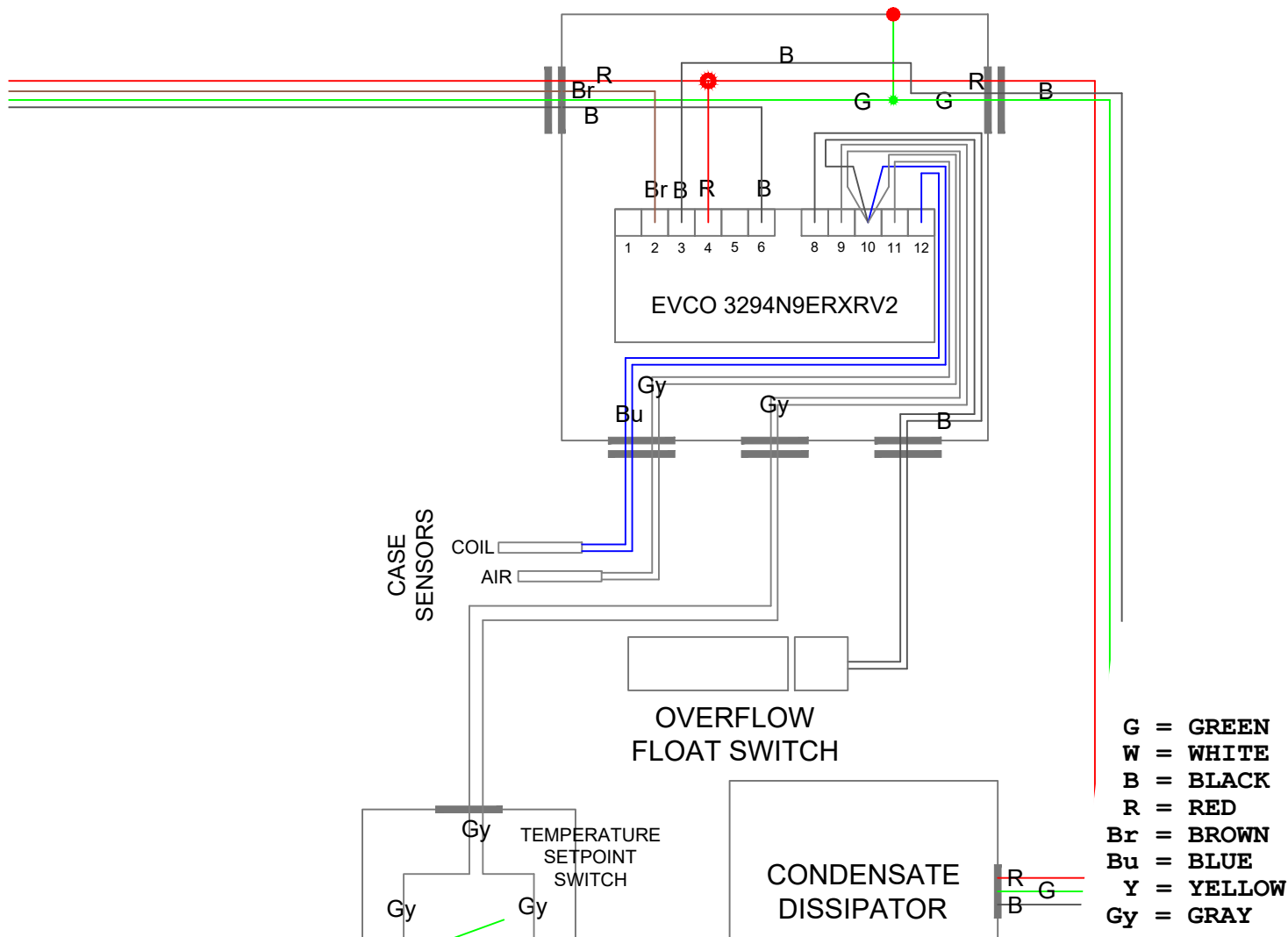
DATE: 06/29/2023

BY: JC

SAVED AS: 208-230 Volt FSI Mobile Wick Electrical EVCO

NOTE: SPECIFICATIONS ARE SUBJECT TO CHANGE WITHOUT NOTICE.

# CONTROLLER DETAIL



manufactured by:



1380 Poinsettia Ave.  
 Vista, CA 92081

voice: 800-421-5352  
 fax: 760-727-1622  
 email: sales@killionindustries.com

**NOTICE**

THIS DOCUMENT CONTAINS CONFIDENTIAL AND PROPRIETARY MATERIAL WHICH IS THE PROPERTY OF KILLION INDUSTRIES, INC. AND MAY NOT BE COPIED OR REPRODUCED. THIS DOCUMENT IS LOANED AND SUBJECT TO RETURN UPON DEMAND.

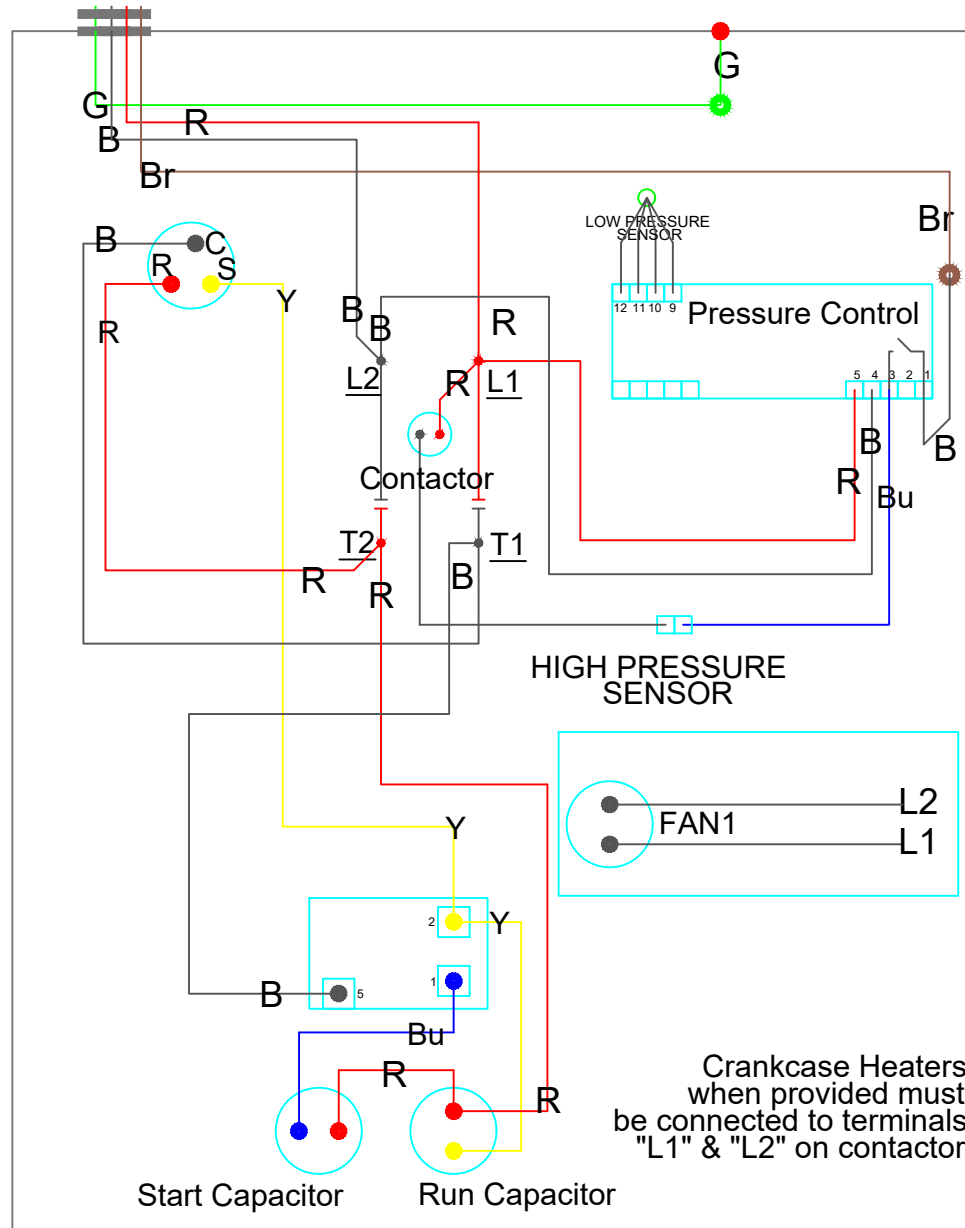
DESCRIPTION: 208/230 VOLT FSI MOBILE W/ WICK  
 CUSTOMER: KILLION SL

DO NOT SCALE  
 DATE: 06/29/2023  
 BY: JC

SAVED AS: 208-230 Volt FSI Mobile Wick Electrical EVCO

NOTE: SPECIFICATIONS ARE SUBJECT TO CHANGE WITHOUT NOTICE.

# COMPRESSOR DETAIL



- G = GREEN
- W = WHITE
- B = BLACK
- R = RED
- Br = BROWN
- Bu = BLUE
- Y = YELLOW
- Gy = GRAY

Crankcase Heaters  
when provided must  
be connected to terminals  
"L1" & "L2" on contactor

manufactured by:

**KILLION INDUSTRIES, INC.**

1380 Poinsettia Ave.  
Vista, CA 92081

voice: 800-421-5352  
fax: 760-727-1622  
email: sales@killionindustries.com

DESCRIPTION: 208/230 VOLT FSI MOBILE W/ WICK

CUSTOMER: KILLION SL

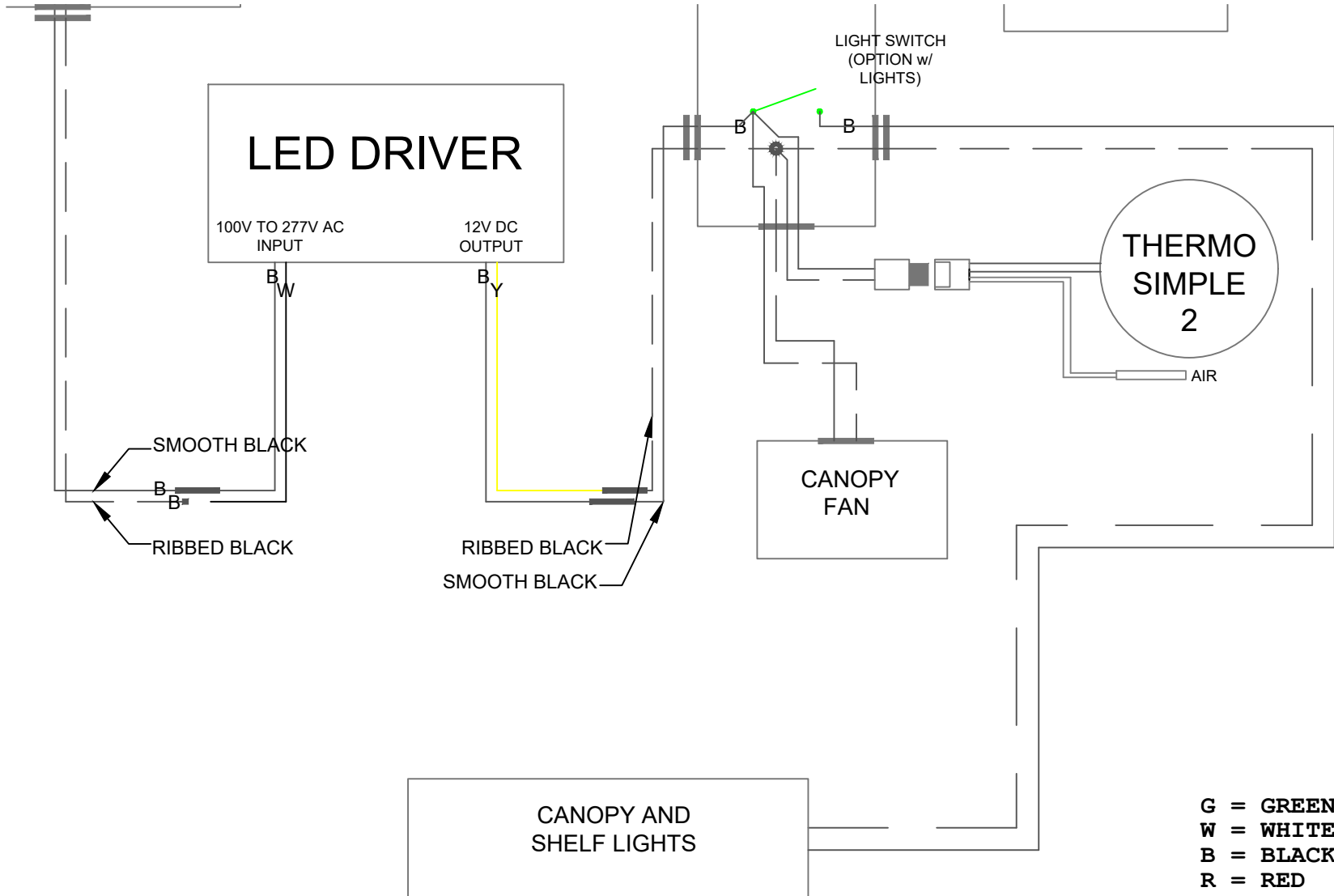
**NOTICE**  
THIS DOCUMENT CONTAINS CONFIDENTIAL AND PROPRIETARY MATERIAL WHICH IS THE PROPERTY OF KILLION INDUSTRIES, INC. AND MAY NOT BE COPIED OR REPRODUCED. THIS DOCUMENT IS LOANED AND SUBJECT TO RETURN UPON DEMAND.

DO NOT SCALE  
DATE: 06/29/2023  
BY: JC

SAVED AS: 208-230 Volt FSI Mobile Wick Electrical EVCO

NOTE: SPECIFICATIONS ARE SUBJECT TO CHANGE WITHOUT NOTICE.

# LIGHTING DETAIL



- G = GREEN
- W = WHITE
- B = BLACK
- R = RED
- Br = BROWN
- Bu = BLUE
- Y = YELLOW
- Gy = GRAY

manufactured by:

**KILLION INDUSTRIES, INC.**

1380 Poinsettia Ave.  
Vista, CA 92081

voice: 800-421-5352  
fax: 760-727-1622  
email: sales@killionindustries.com

DESCRIPTION: 208/230 VOLT FSI MOBILE W/ WICK

CUSTOMER: KILLION SL

**NOTICE**  
THIS DOCUMENT CONTAINS CONFIDENTIAL AND PROPRIETARY MATERIAL WHICH IS THE PROPERTY OF KILLION INDUSTRIES, INC. AND MAY NOT BE COPIED OR REPRODUCED. THIS DOCUMENT IS LOANED AND SUBJECT TO RETURN UPON DEMAND.

DO NOT SCALE

DATE: 06/29/2023

BY: JC

SAVED AS: 208-230 Volt FSI Mobile Wick Electrical EVCO

NOTE: SPECIFICATIONS ARE SUBJECT TO CHANGE WITHOUT NOTICE.