

DESCRIPTION:
CUSTOMER:

208/230 VOLT PFW MOBILE w/ WICK AND INTEGRATED CHIMNEY

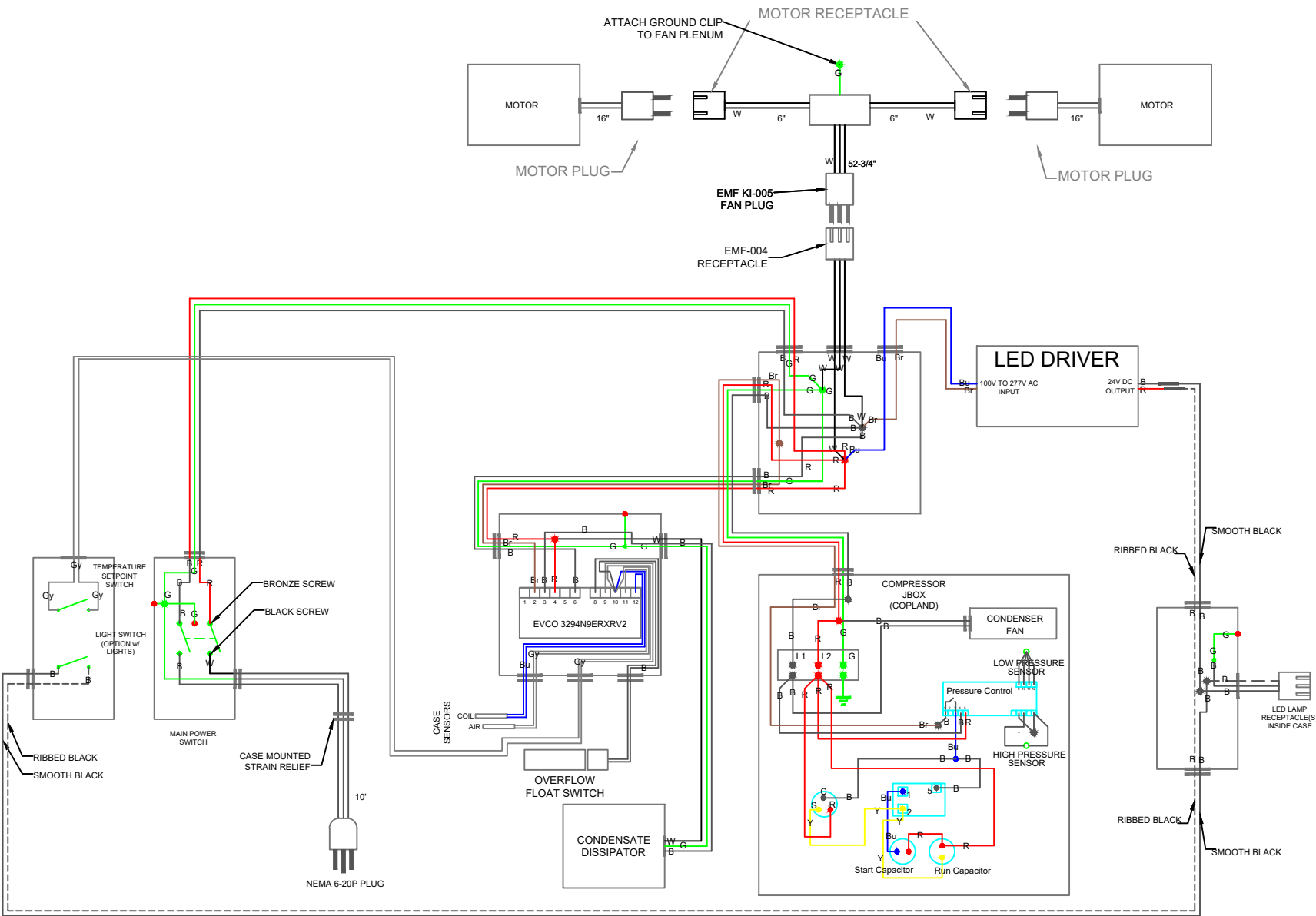
WALMART



1380 Poinsettia Ave.
Vista, CA 92081

voice: 800-421-5352
fax: 760-727-1622
email: sales@killionindustries.com

manufactured by:



- G = GREEN**
- W = WHITE**
- B = BLACK**
- R = RED**
- Br = BROWN**
- Bu = BLUE**
- Y = YELLOW**
- Gy = GRAY**

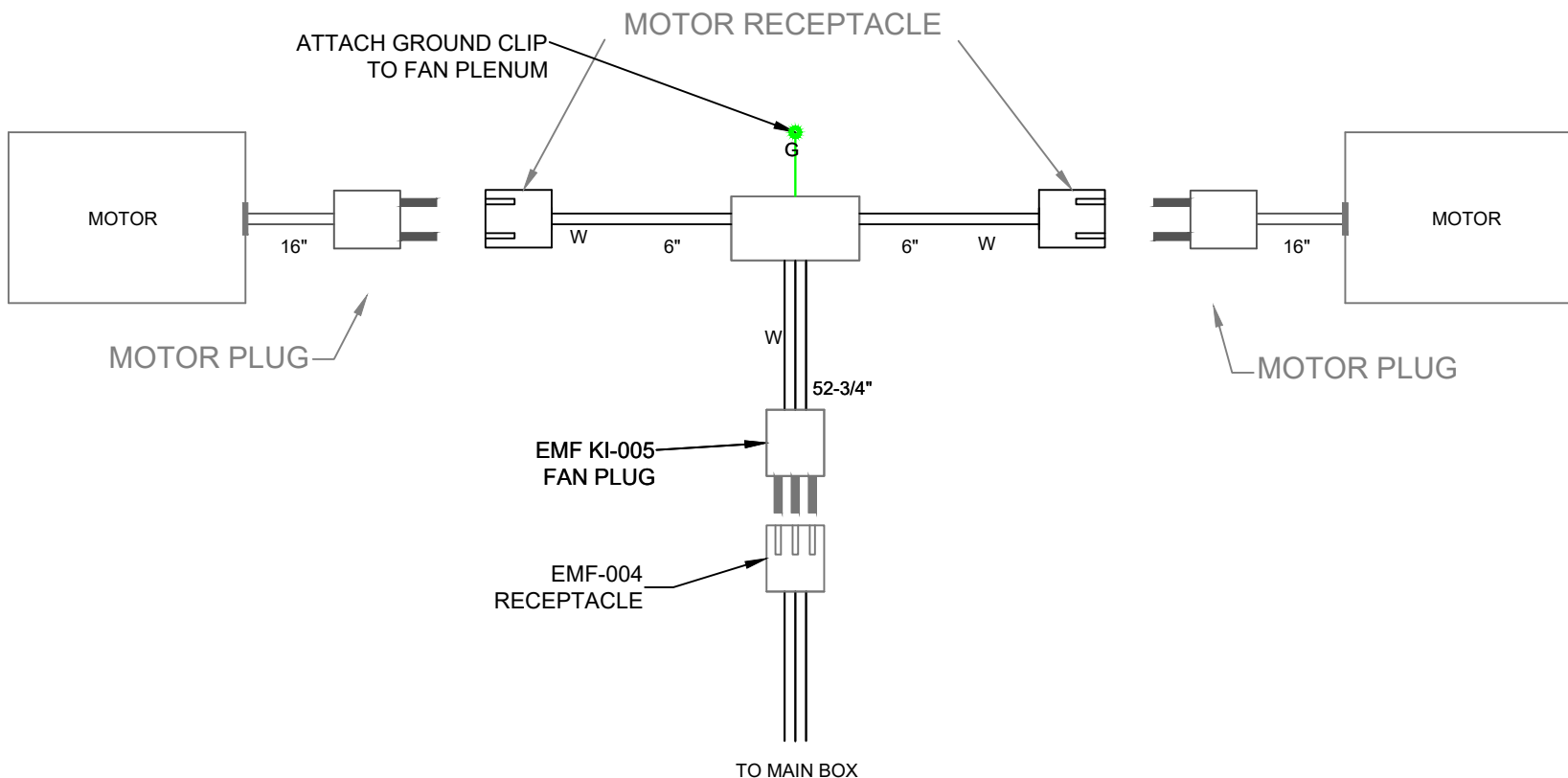
DO NOT SCALE
DATE: 04/28/23
BY: JC

SAVED AS: 208-230 Volt PFW Mobile Wick Electrical Evco (2023-04)

NOTE: SPECIFICATIONS ARE SUBJECT TO CHANGE WITHOUT NOTICE.

NOTICE
THIS DOCUMENT CONTAINS CONFIDENTIAL AND PROPRIETARY MATERIAL WHICH IS THE PROPERTY OF KILLION INDUSTRIES, INC. AND MAY NOT BE COPIED OR REPRODUCED. THIS DOCUMENT IS LOANED AND SUBJECT TO RETURN UPON DEMAND.

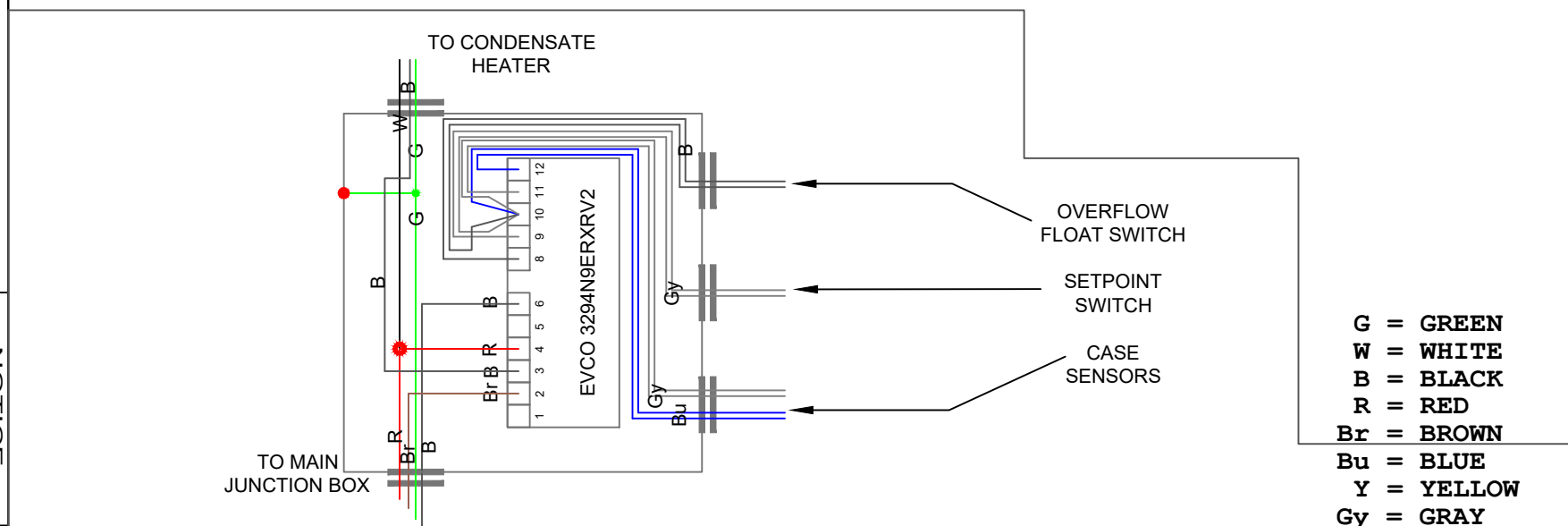
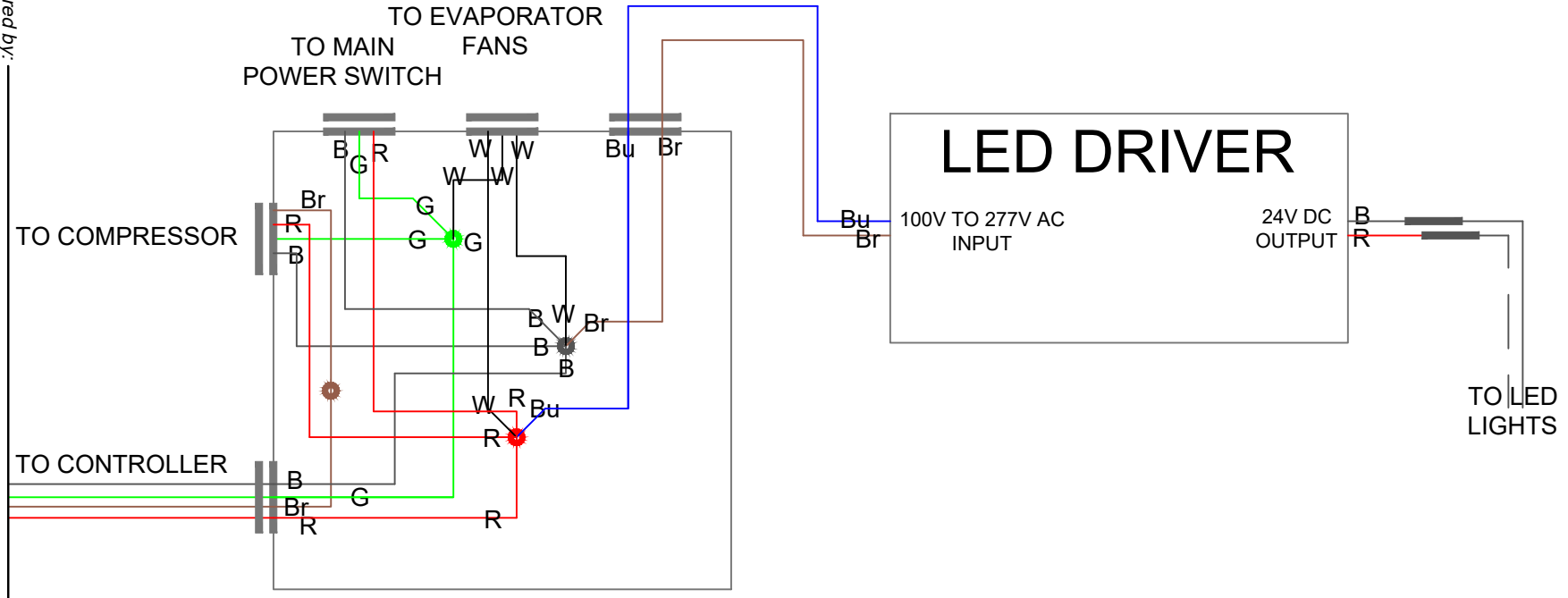
FAN MOTOR DETAIL



- G = GREEN**
- W = WHITE**
- B = BLACK**
- R = RED**
- Br = BROWN**
- Bu = BLUE**
- Y = YELLOW**
- Gy = GRAY**

manufactured by: **killion INDUSTRIES, INC.**
 1380 Poinsettia Ave.
 Vista, CA 92081
 voice: 800-421-5352
 fax: 760-727-1622
 email: sales@killionindustries.com
 DESCRIPTION: 208/230 VOLT PFW MOBILE w/ WICK AND INTEGRATED CHIMNEY
 CUSTOMER: WALMART
NOTICE
 THIS DOCUMENT CONTAINS CONFIDENTIAL AND PROPRIETARY MATERIAL WHICH IS THE PROPERTY OF KILLION INDUSTRIES, INC. AND MAY NOT BE COPIED OR REPRODUCED. THIS DOCUMENT IS LOANED AND SUBJECT TO RETURN UPON DEMAND.

MAIN BOX AND CONTROLLER DETAIL



- G = GREEN
- W = WHITE
- B = BLACK
- R = RED
- Br = BROWN
- Bu = BLUE
- Y = YELLOW
- Gy = GRAY

DESCRIPTION: 208/230 VOLT PFW MOBILE w/ WICK AND INTEGRATED CHIMNEY

CUSTOMER: WALMART

manufactured by: **KILLION INDUSTRIES, INC.**

1380 Poinsettia Ave.
Vista, CA 92081

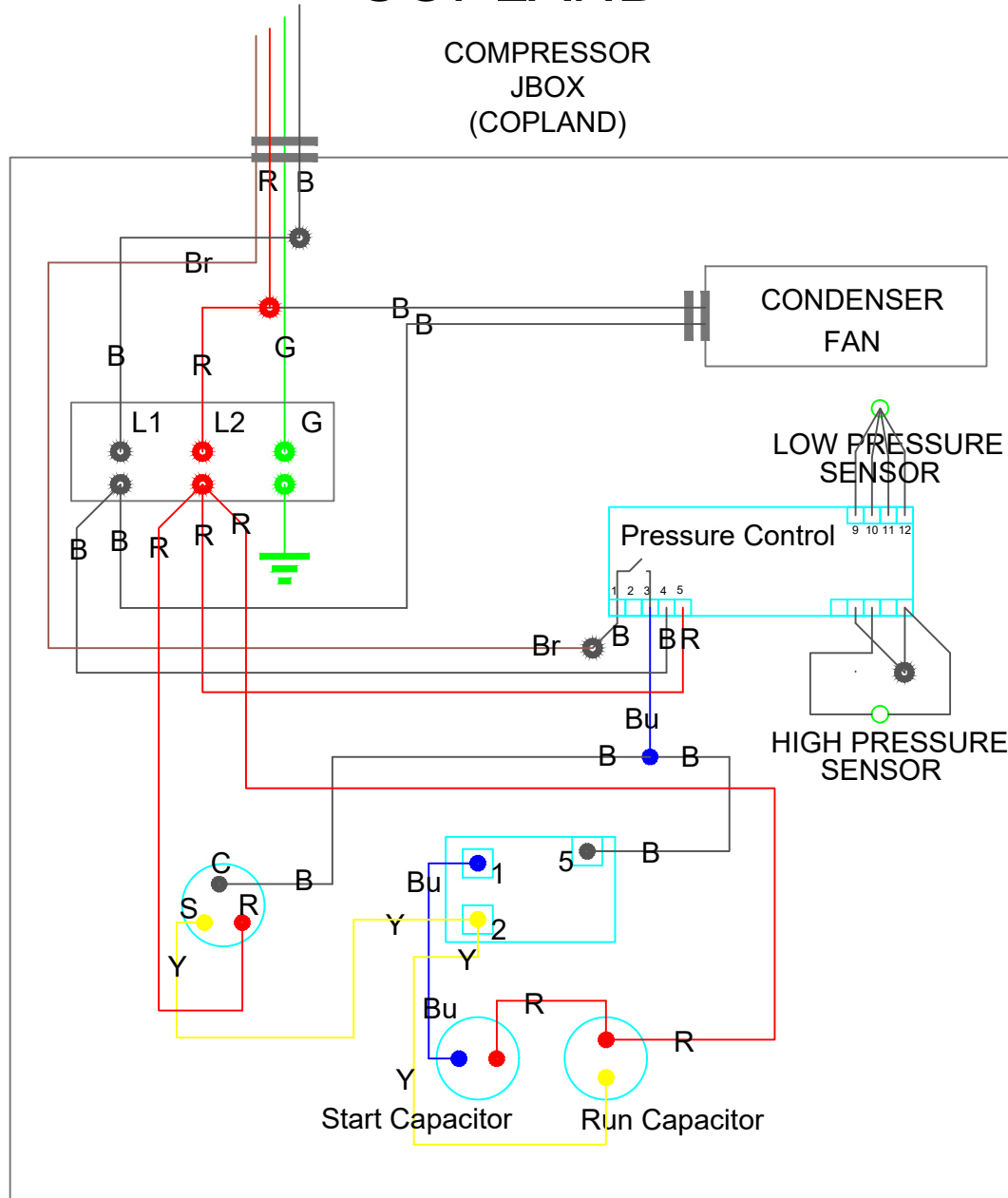
voice: 800-421-5352
fax: 760-727-1622
email: sales@killionindustries.com

NOTICE

THIS DOCUMENT CONTAINS CONFIDENTIAL AND PROPRIETARY MATERIAL WHICH IS THE PROPERTY OF KILLION INDUSTRIES, INC. AND MAY NOT BE COPIED OR REPRODUCED. THIS DOCUMENT IS LOANED AND SUBJECT TO RETURN UPON DEMAND.

COMPRESSOR DETAIL COPLAND

COMPRESSOR
JBOX
(COPLAND)



G = GREEN
W = WHITE
B = BLACK
R = RED
Br = BROWN
Bu = BLUE
Y = YELLOW
Gy = GRAY

manufactured by:



1380 Poinsettia Ave.
Vista, CA 92081

voice: 800-421-5352
fax: 760-727-1622
email: sales@killionindustries.com

NOTICE

THIS DOCUMENT CONTAINS CONFIDENTIAL AND PROPRIETARY MATERIAL WHICH IS THE PROPERTY OF KILLION INDUSTRIES, INC. AND MAY NOT BE COPIED OR REPRODUCED. THIS DOCUMENT IS LOANED AND SUBJECT TO RETURN UPON DEMAND.

DESCRIPTION:

208/230 VOLT PFW MOBILE w/ WICK AND INTEGRATED CHIMNEY

CUSTOMER:

WALMART

DO NOT SCALE

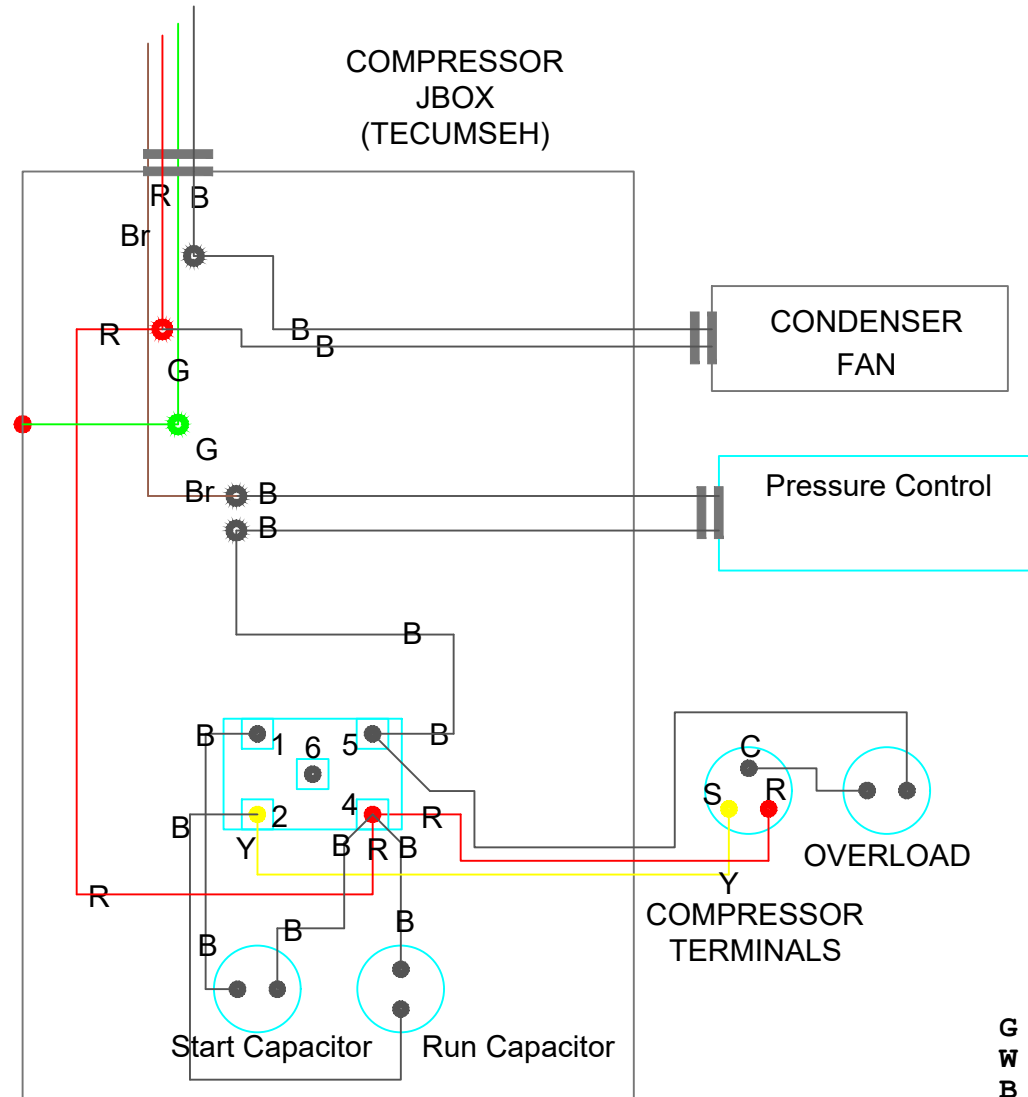
DATE: 04/28/23

BY: JC

SAVED AS: 208-230 Volt PFW Mobile Wick Electrical Evco (2023-04)

NOTE: SPECIFICATIONS ARE SUBJECT TO CHANGE WITHOUT NOTICE.

COMPRESSOR DETAIL TECUMSEH



- G = GREEN
- W = WHITE
- B = BLACK
- R = RED
- Br = BROWN
- Bu = BLUE
- Y = YELLOW
- Gy = GRAY

manufactured by:



1380 Poinsettia Ave.
Vista, CA 92081

voice: 800-421-5352
fax: 760-727-1622
email: sales@killionindustries.com

NOTICE

THIS DOCUMENT CONTAINS CONFIDENTIAL AND PROPRIETARY MATERIAL WHICH IS THE PROPERTY OF KILLION INDUSTRIES, INC. AND MAY NOT BE COPIED OR REPRODUCED. THIS DOCUMENT IS LOANED AND SUBJECT TO RETURN UPON DEMAND.

DESCRIPTION:

208/230 VOLT PFW MOBILE w/ WICK AND INTEGRATED CHIMNEY

CUSTOMER:

WALMART

DO NOT SCALE

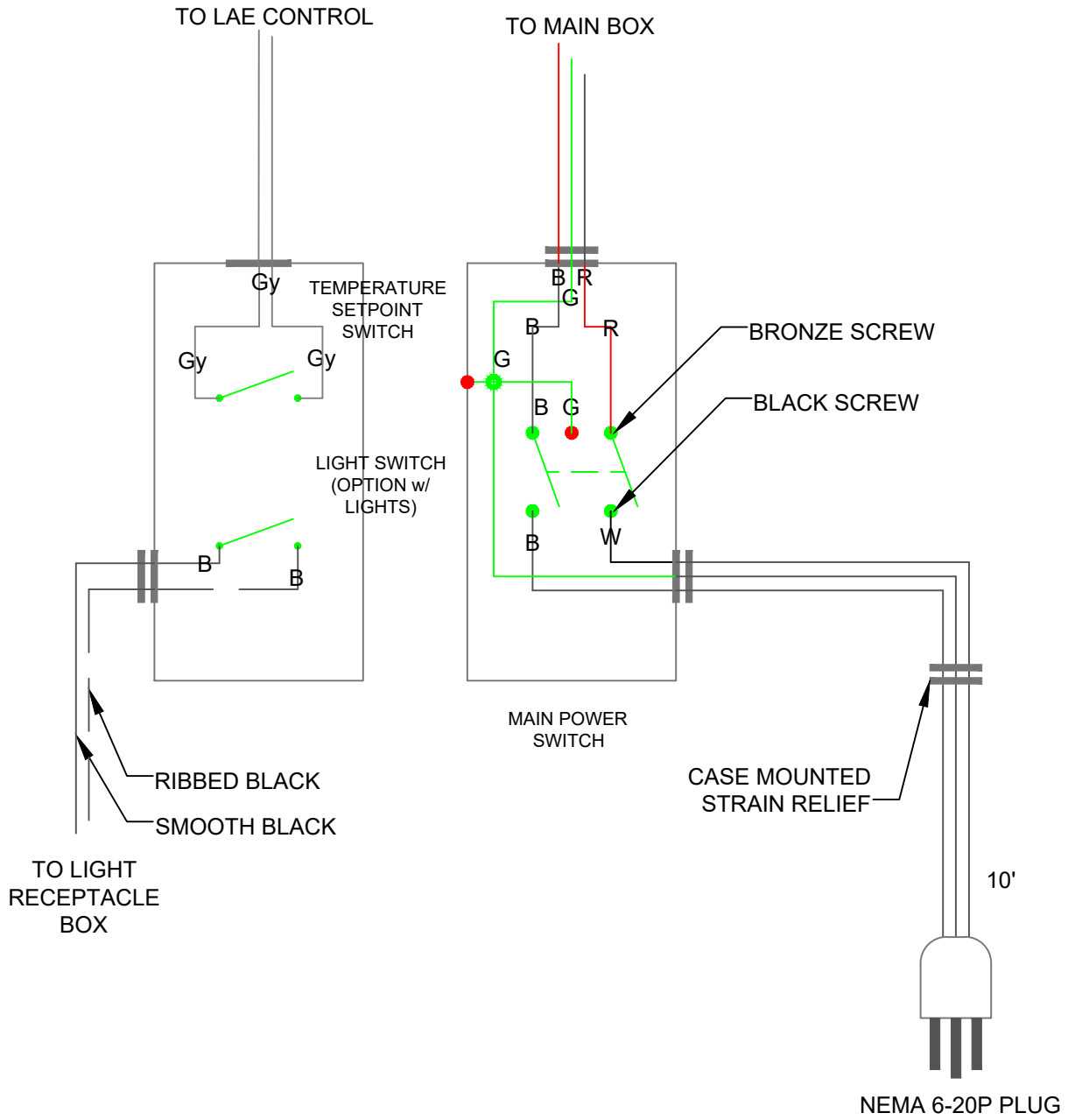
DATE: 04/28/23

BY: JC

SAVED AS: 208-230 Volt PFW Mobile Wick Electrical Evco (2023-04)

NOTE: SPECIFICATIONS ARE SUBJECT TO CHANGE WITHOUT NOTICE.

MAIN SWITCH DETAIL



- G = GREEN
- W = WHITE
- B = BLACK
- R = RED
- Br = BROWN
- Bu = BLUE
- Y = YELLOW
- Gy = GRAY

manufactured by: **KILLION INDUSTRIES, INC.**
 1380 Poinsettia Ave.
 Vista, CA 92081
 voice: 800-421-5352
 fax: 760-727-1622
 email: sales@killionindustries.com

DESCRIPTION: 208/230 VOLT PFW MOBILE w/ WICK AND INTEGRATED CHIMNEY
 CUSTOMER: WALMART

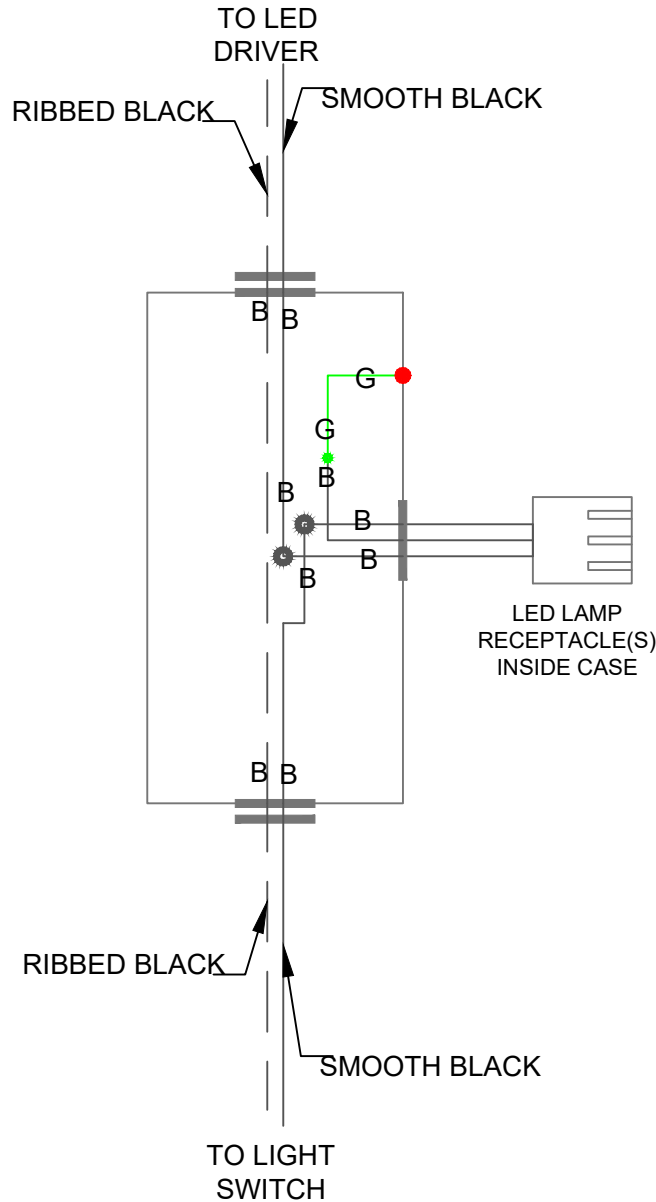
NOTICE
 THIS DOCUMENT CONTAINS CONFIDENTIAL AND PROPRIETARY MATERIAL WHICH IS THE PROPERTY OF KILLION INDUSTRIES, INC. AND MAY NOT BE COPIED OR REPRODUCED. THIS DOCUMENT IS LOANED AND SUBJECT TO RETURN UPON DEMAND.

DO NOT SCALE
 DATE: 04/28/23
 BY: JC

SAVED AS: 208-230 Volt PFW Mobile Wick Electrical Evco (2023-04)

NOTE: SPECIFICATIONS ARE SUBJECT TO CHANGE WITHOUT NOTICE.

LIGHTING DETAIL



- G = GREEN
- W = WHITE
- B = BLACK
- R = RED
- Br = BROWN
- Bu = BLUE
- Y = YELLOW
- Gy = GRAY

manufactured by:



1380 Poinsettia Ave.
Vista, CA 92081

voice: 800-421-5352
fax: 760-727-1622
email: sales@killionindustries.com

NOTICE

THIS DOCUMENT CONTAINS CONFIDENTIAL AND PROPRIETARY MATERIAL WHICH IS THE PROPERTY OF KILLION INDUSTRIES, INC. AND MAY NOT BE COPIED OR REPRODUCED. THIS DOCUMENT IS LOANED AND SUBJECT TO RETURN UPON DEMAND.

DESCRIPTION:

208/230 VOLT PFW MOBILE w/ WICK AND INTEGRATED CHIMNEY

CUSTOMER:

WALMART

DO NOT SCALE

DATE: 04/28/23

BY: JC

SAVED AS: 208-230 Volt PFW Mobile Wick Electrical Evco (2023-04)

NOTE: SPECIFICATIONS ARE SUBJECT TO CHANGE WITHOUT NOTICE.