

- G = GREEN**
- W = WHITE**
- B = BLACK**
- R = RED**
- Br = BROWN**
- Bu = BLUE**
- Y = YELLOW**
- Gy = GRAY**
- O = ORANGE**

manufactured by:



1380 Poinsettia Ave.
Vista, CA 92081

voice: 800-421-5352
fax: 760-727-1622
email: sales@killionindustries.com

NOTICE

THIS DOCUMENT CONTAINS CONFIDENTIAL INFORMATION AND IS THE PROPERTY OF KILLION INDUSTRIES, INC. AND MAY NOT BE COPIED OR REPRODUCED. THIS DOCUMENT IS LOANED AND SUBJECT TO RETURN UPON DEMAND.

DESCRIPTION:

208/230 VOLT PFW-100 MOBILE W/ WICK AND INTEGRATED CHIMNEY

CUSTOMER:

BJ's WHOLESALE

DO NOT SCALE

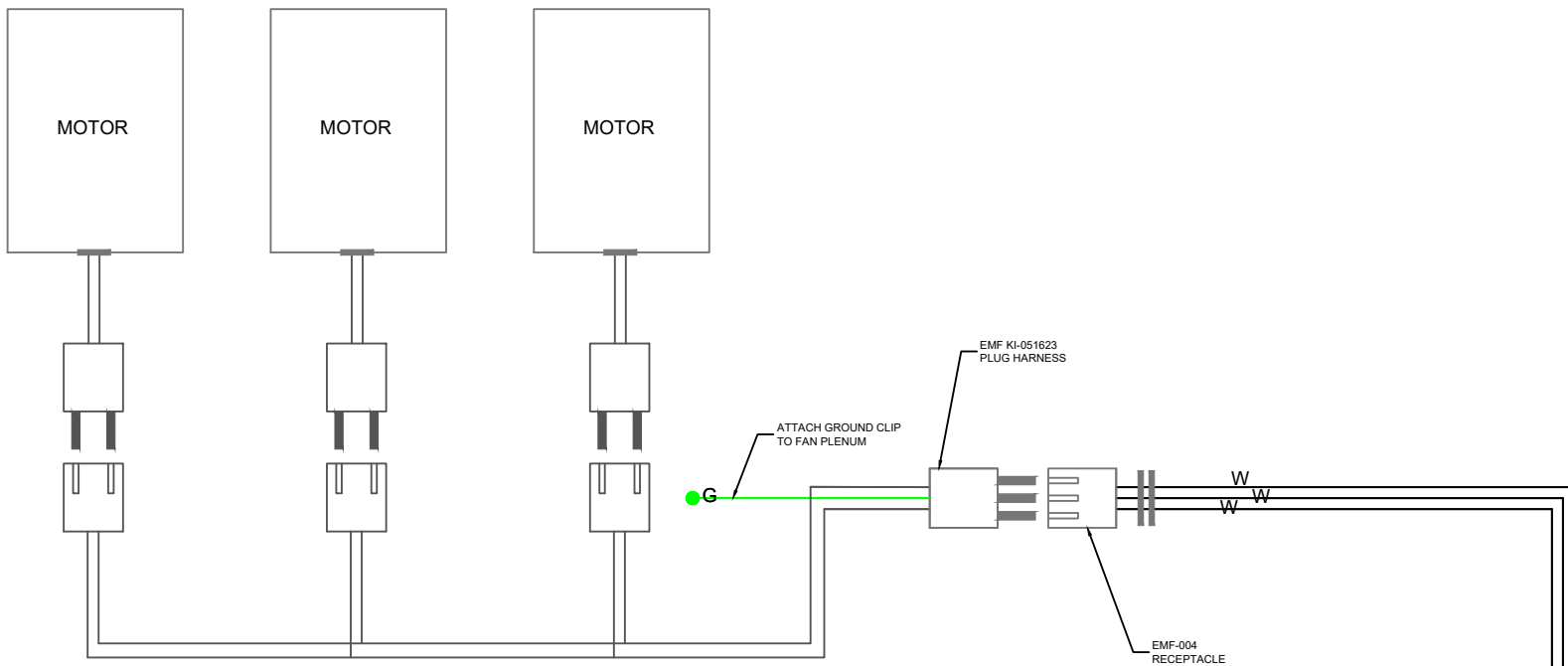
DATE: 08/16/2023

BY: JC

SAVED AS: 208-230 Volt PFW-100 Mobile Wick Electrical EVCO & ThermoSimple

NOTE: SPECIFICATIONS ARE SUBJECT TO CHANGE WITHOUT NOTICE.

FAN MOTOR DETAIL



- G = GREEN**
- W = WHITE**
- B = BLACK**
- R = RED**
- Br = BROWN**
- Bu = BLUE**
- Y = YELLOW**
- Gy = GRAY**
- O = ORANGE**

DESCRIPTION: 208/230 VOLT PFW-100 MOBILE w/ WICK AND INTEGRATED CHIMNEY

CUSTOMER: BJ's WHOLESALE

manufactured by: **KILLION INDUSTRIES, INC.**

1380 Poinsettia Ave.
Vista, CA 92081

voice: 800-421-5352
fax: 760-727-1622
email: sales@killionindustries.com

NOTICE
THIS DOCUMENT CONTAINS CONFIDENTIAL INFORMATION AND PROPRIETARY MATERIAL WHICH IS THE PROPERTY OF KILLION INDUSTRIES, INC. AND MAY NOT BE COPIED OR REPRODUCED. THIS DOCUMENT IS LOANED AND SUBJECT TO RETURN UPON DEMAND.

DO NOT SCALE
DATE: 08/16/2023
BY: JC

SAVED AS: 208-230 Volt PFW-100 Mobile Wick Electrical EVCO & Thermosimple

NOTE: SPECIFICATIONS ARE SUBJECT TO CHANGE WITHOUT NOTICE.

MAIN BOX AND CONTROLLER DETAIL

manufactured by:



1380 Poinsettia Ave.
Vista, CA 92081

voice: 800-421-5352
fax: 760-727-1622
email: sales@killionindustries.com

CREW
EW

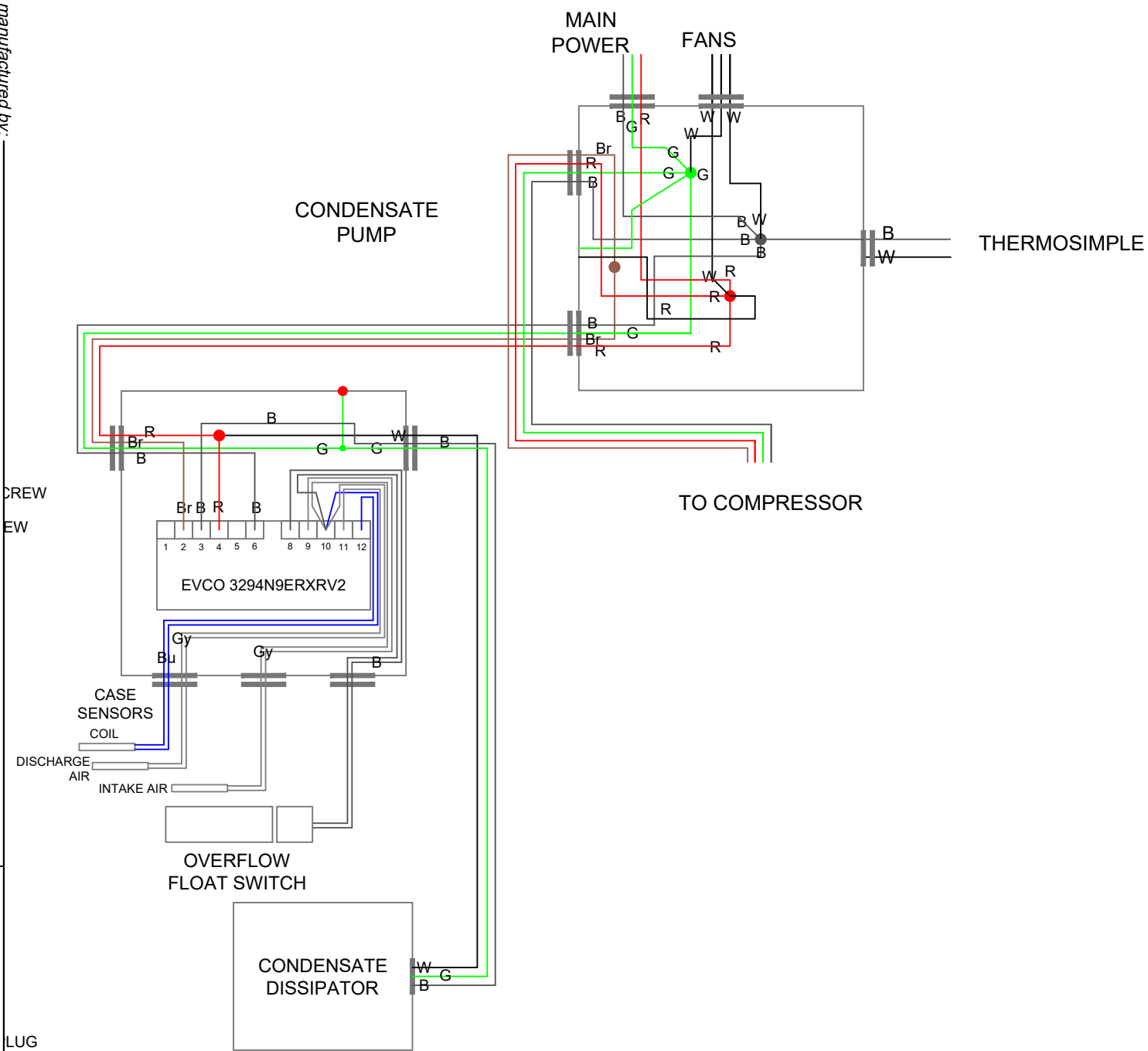
LUG

NOTICE

THIS DOCUMENT CONTAINS CONFIDENTIAL INFORMATION AND IS THE PROPERTY OF KILLION INDUSTRIES, INC. AND MAY NOT BE COPIED OR REPRODUCED. THIS DOCUMENT IS LOANED AND SUBJECT TO RETURN UPON DEMAND.

DO NOT SCALE
DATE: 08/16/2023
BY: JC

SAVED AS: 208-230 Volt PFW-100 Mobile Wick Electrical EVCO & Thermosimple



NOTE: SPECIFICATIONS ARE SUBJECT TO CHANGE WITHOUT NOTICE.

CUSTOMER:

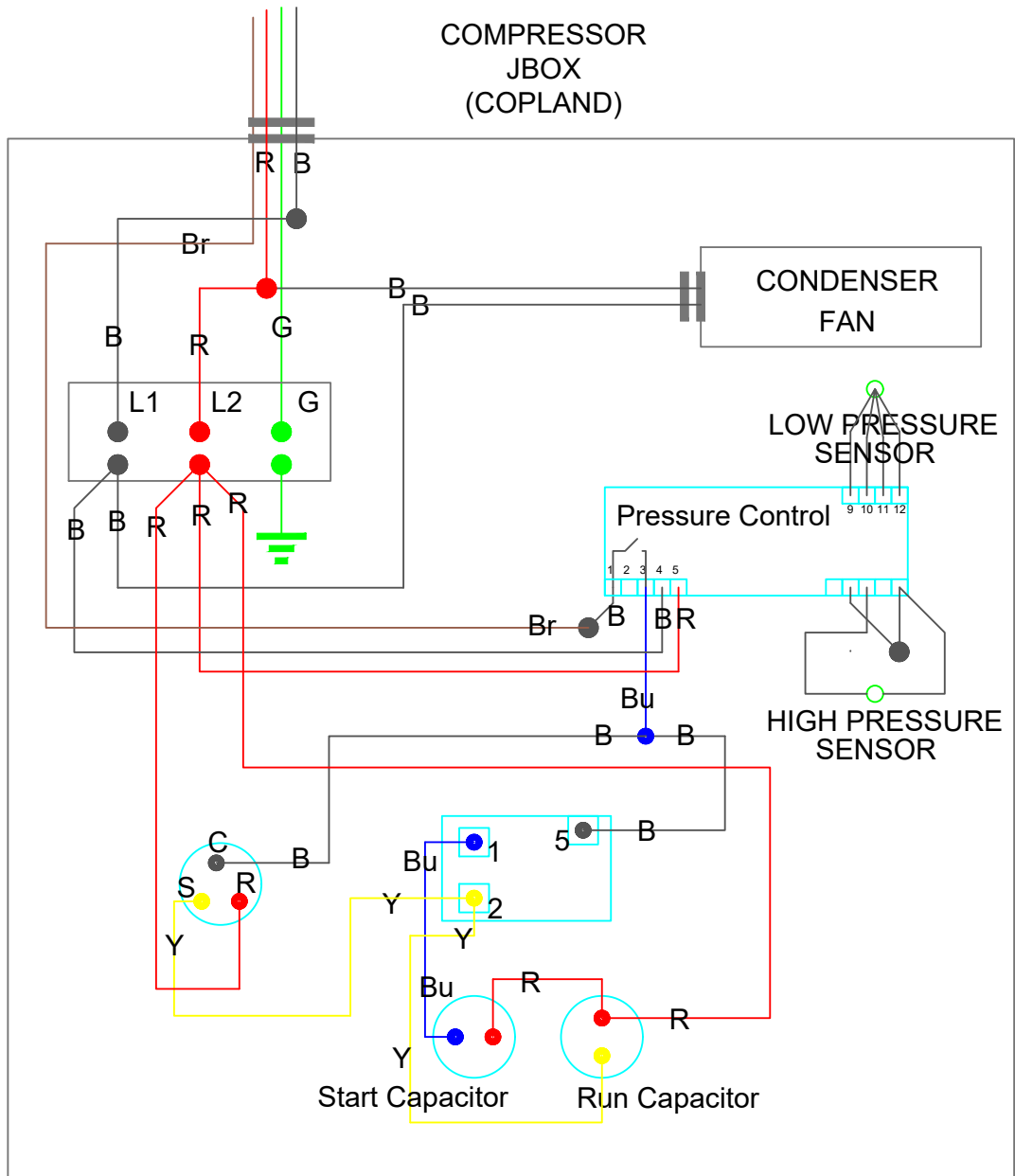
DESCRIPTION:

208/230 VOLT PFW-100 MOBILE W/ WICK AND INTEGRATED CHIMNEY

BJ's WHOLESALE

COMPRESSOR DETAIL COPLAND

COMPRESSOR
JBOX
(COPLAND)



- G = GREEN
- W = WHITE
- B = BLACK
- R = RED
- Br = BROWN
- Bu = BLUE
- Y = YELLOW
- Gy = GRAY
- O = ORANGE

DESCRIPTION: 208/230 VOLT PFW-100 MOBILE w/ WICK AND INTEGRATED CHIMNEY

CUSTOMER: BJ's WHOLESALE

manufactured by: **KILLION INDUSTRIES, INC.**

1380 Poinsettia Ave.
Vista, CA 92081

voice: 800-421-5352
fax: 760-727-1622
email: sales@killionindustries.com

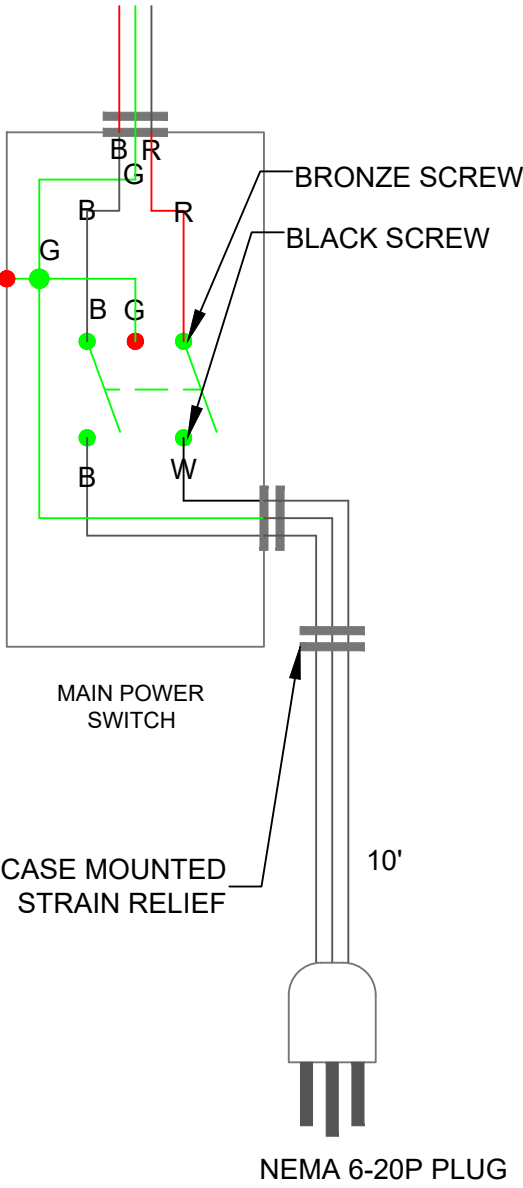
NOTICE
THIS DOCUMENT CONTAINS CONFIDENTIAL INFORMATION AND IS THE PROPERTY OF KILLION INDUSTRIES, INC. AND MAY NOT BE COPIED OR REPRODUCED. THIS DOCUMENT IS LOANED AND SUBJECT TO RETURN UPON DEMAND.

DO NOT SCALE
DATE: 08/16/2023
BY: JC

SAVED AS: 208-230 Volt PFW-100 Mobile Wick Electrical EVCO & Thermosimple

NOTE: SPECIFICATIONS ARE SUBJECT TO CHANGE WITHOUT NOTICE.

MAIN SWITCH DETAIL



- G = GREEN
- W = WHITE
- B = BLACK
- R = RED
- Br = BROWN
- Bu = BLUE
- Y = YELLOW
- Gy = GRAY
- O = ORANGE

manufactured by:

KILLION INDUSTRIES, INC.

1380 Poinsettia Ave.
Vista, CA 92081

voice: 800-421-5352
fax: 760-727-1622
email: sales@killionindustries.com

NOTICE
THIS DOCUMENT CONTAINS CONFIDENTIAL INFORMATION AND IS THE PROPERTY OF KILLION INDUSTRIES, INC. AND MAY NOT BE COPIED OR REPRODUCED. THIS DOCUMENT IS LOANED AND SUBJECT TO RETURN UPON DEMAND.

DESCRIPTION: 208/230 VOLT PFW-100 MOBILE W/ WICK AND INTEGRATED CHIMNEY

CUSTOMER: BJ's WHOLESALE

DO NOT SCALE
DATE: 08/16/2023
BY: JC

SAVED AS: 208-230 Volt PFW-100 Mobile Wick Electrical EVCO & Thermosimple

NOTE: SPECIFICATIONS ARE SUBJECT TO CHANGE WITHOUT NOTICE.