

CUSTOMER:

DESCRIPTION:

208/230 VOLT PFW-100 MOBILE W/ WICK AND INTEGRATED CHIMNEY



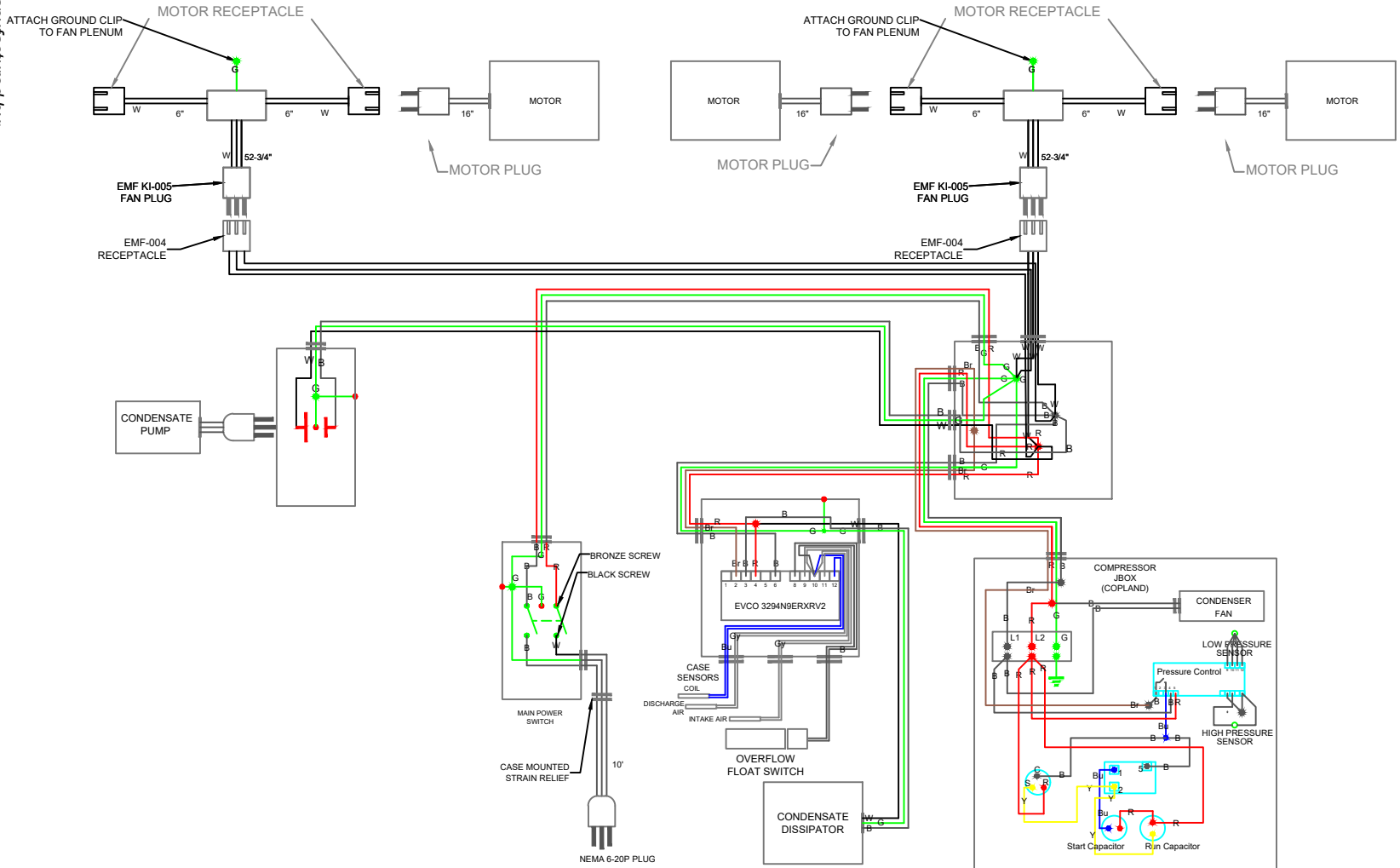
manufactured by:

1380 Poinsettia Ave.  
Vista, CA 92081

voice: 800-421-5352  
fax: 760-727-1622  
email: sales@killionindustries.com

**NOTICE**

THIS DOCUMENT CONTAINS CONFIDENTIAL AND PROPRIETARY MATERIAL WHICH IS THE PROPERTY OF KILLION INDUSTRIES, INC. AND MAY NOT BE COPIED OR REPRODUCED. THIS DOCUMENT IS LOANED AND SUBJECT TO RETURN UPON DEMAND.



- G = GREEN**
- W = WHITE**
- B = BLACK**
- R = RED**
- Br = BROWN**
- Bu = BLUE**
- Y = YELLOW**
- Gy = GRAY**

DO NOT SCALE

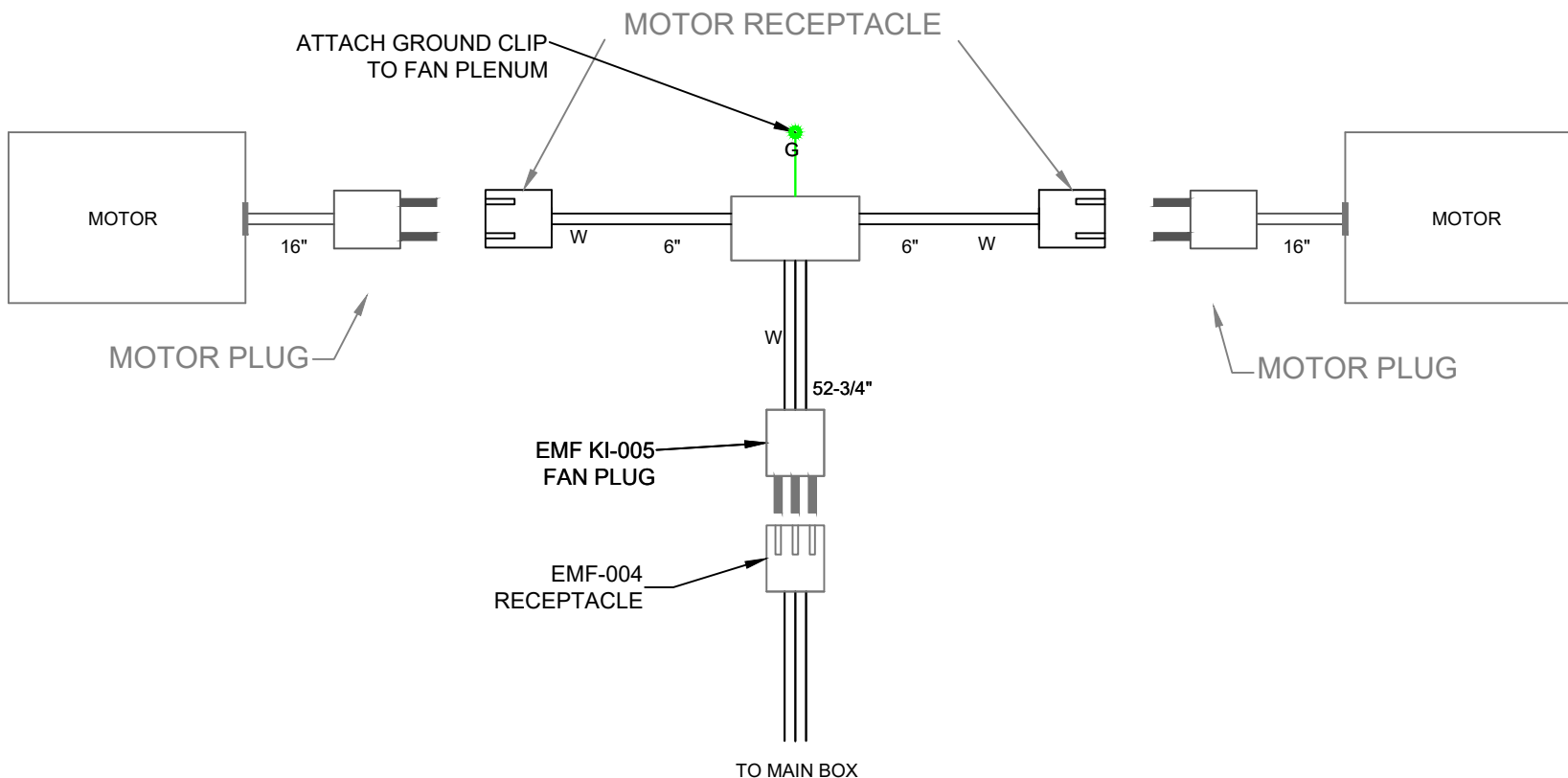
DATE: 05/05/2023

BY: JC

SAVED AS: 208-230 Volt PFW-100 Mobile Wick Electrical EVCO

NOTE: SPECIFICATIONS ARE SUBJECT TO CHANGE WITHOUT NOTICE.

# FAN MOTOR DETAIL



## MOTOR HARNESS x2

- G = GREEN
- W = WHITE
- B = BLACK
- R = RED
- Br = BROWN
- Bu = BLUE
- Y = YELLOW
- Gy = GRAY

DESCRIPTION: 208/230 VOLT PFW-100 MOBILE w/ WICK AND INTEGRATED CHIMNEY

CUSTOMER: B.J's WHOLESALE

manufactured by: **KILLION INDUSTRIES, INC.**

1380 Poinsettia Ave.  
Vista, CA 92081

voice: 800-421-5352  
fax: 760-727-1622  
email: sales@killionindustries.com

**NOTICE**  
THIS DOCUMENT CONTAINS CONFIDENTIAL AND PROPRIETARY MATERIAL WHICH IS THE PROPERTY OF KILLION INDUSTRIES, INC. AND MAY NOT BE COPIED OR REPRODUCED. THIS DOCUMENT IS LOANED AND SUBJECT TO RETURN UPON DEMAND.

DO NOT SCALE  
DATE: 05/05/2023  
BY: JC

SAVED AS: 208-230 Volt PFW-100 Mobile Wick Electrical EVCO

NOTE: SPECIFICATIONS ARE SUBJECT TO CHANGE WITHOUT NOTICE.

# MAIN BOX AND CONTROLLER DETAIL

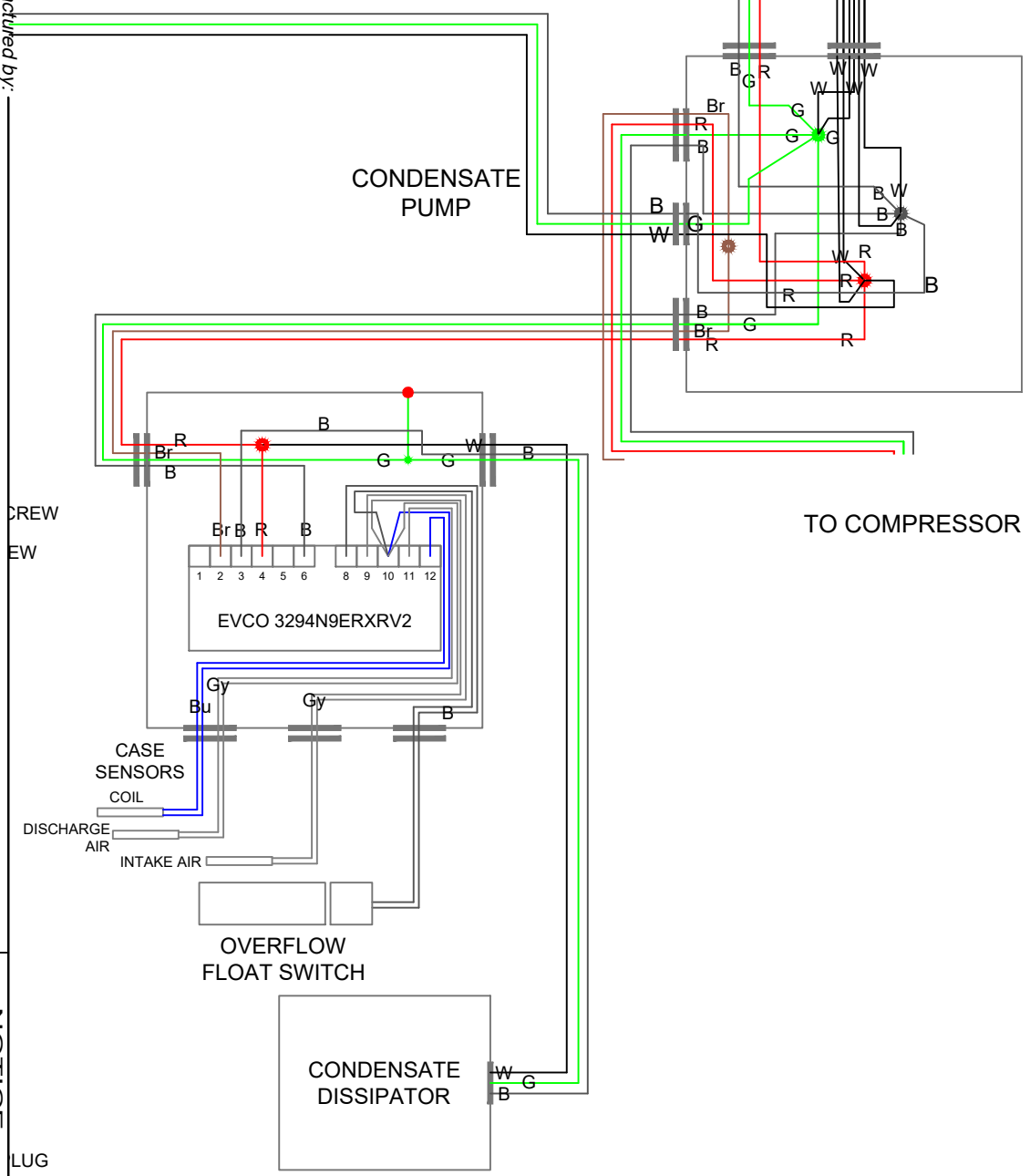
manufactured by:



1380 Poinsettia Ave.  
Vista, CA 92081

voice: 800-421-5352  
fax: 760-727-1622  
email: sales@killionindustries.com

DESCRIPTION: 208/230 VOLT PFW-100 MOBILE W/ WICK AND INTEGRATED CHIMNEY  
CUSTOMER: BJ's WHOLESALE



- G = GREEN
- W = WHITE
- B = BLACK
- R = RED
- Br = BROWN
- Bu = BLUE
- Y = YELLOW
- Gy = GRAY

NOTICE

THIS DOCUMENT CONTAINS CONFIDENTIAL AND PROPRIETARY MATERIAL WHICH IS THE PROPERTY OF KILLION INDUSTRIES, INC. AND MAY NOT BE COPIED OR REPRODUCED. THIS DOCUMENT IS LOANED AND SUBJECT TO RETURN UPON DEMAND.

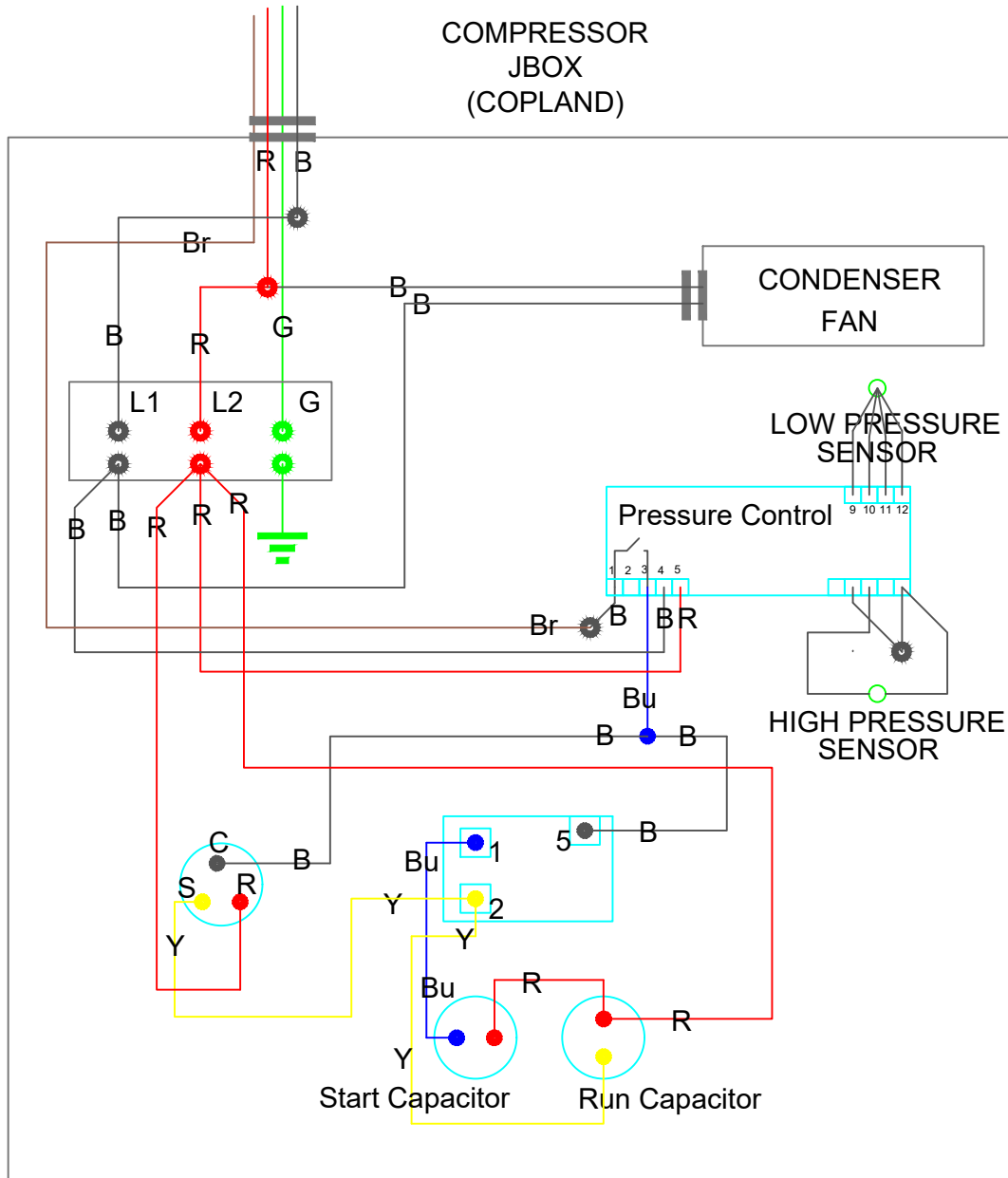
DO NOT SCALE  
DATE: 05/05/2023  
BY: JC

SAVED AS: 208-230 Volt PFW-100 Mobile Wick Electrical EVCO

NOTE: SPECIFICATIONS ARE SUBJECT TO CHANGE WITHOUT NOTICE.

# COMPRESSOR DETAIL COPLAND

COMPRESSOR  
JBOX  
(COPLAND)



- G = GREEN
- W = WHITE
- B = BLACK
- R = RED
- Br = BROWN
- Bu = BLUE
- Y = YELLOW
- Gy = GRAY



manufactured by:

1380 Poinsettia Ave.  
Vista, CA 92081

voice: 800-421-5352  
fax: 760-727-1622  
email: sales@killionindustries.com

### NOTICE

THIS DOCUMENT CONTAINS CONFIDENTIAL AND PROPRIETARY MATERIAL WHICH IS THE PROPERTY OF KILLION INDUSTRIES, INC. AND MAY NOT BE COPIED OR REPRODUCED. THIS DOCUMENT IS LOANED AND SUBJECT TO RETURN UPON DEMAND.

DESCRIPTION:

208/230 VOLT PFW-100 MOBILE W/ WICK AND INTEGRATED CHIMNEY

CUSTOMER:

BJ's WHOLESALE

DO NOT SCALE

DATE: 05/05/2023

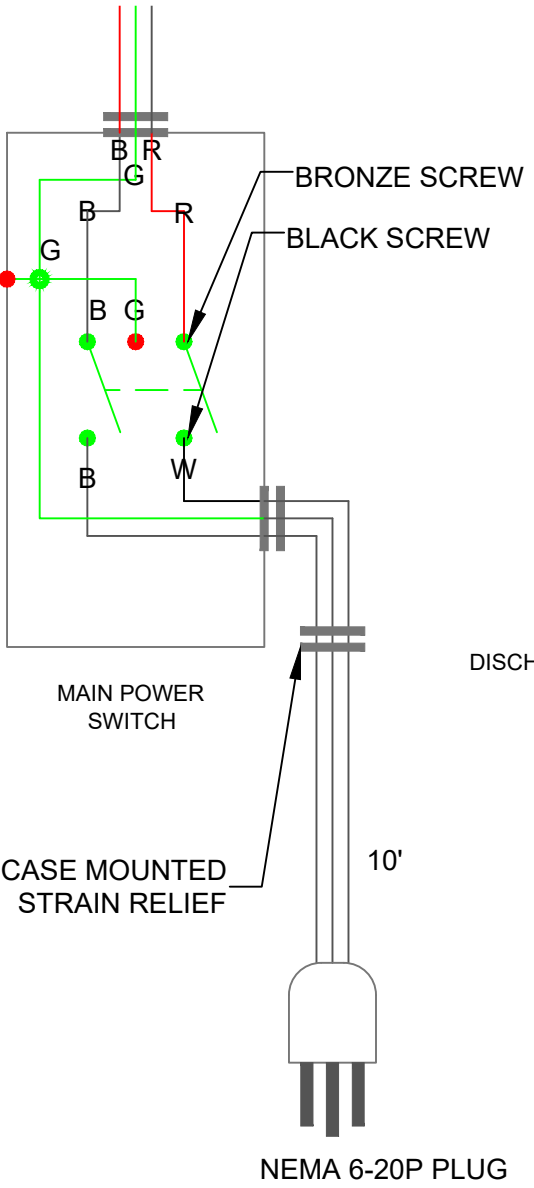
BY: JC

SAVED AS:

208-230 Volt PFW-100 Mobile Wick Electrical EVCO

NOTE: SPECIFICATIONS ARE SUBJECT TO CHANGE WITHOUT NOTICE.

# MAIN SWITCH DETAIL



- G = GREEN
- W = WHITE
- B = BLACK
- R = RED
- Br = BROWN
- Bu = BLUE
- Y = YELLOW
- Gy = GRAY

manufactured by:

**KILLION INDUSTRIES, INC.**

1380 Poinsettia Ave.  
Vista, CA 92081

voice: 800-421-5352  
fax: 760-727-1622  
email: sales@killionindustries.com

**NOTICE**  
THIS DOCUMENT CONTAINS CONFIDENTIAL AND PROPRIETARY MATERIAL WHICH IS THE PROPERTY OF KILLION INDUSTRIES, INC. AND MAY NOT BE COPIED OR REPRODUCED. THIS DOCUMENT IS LOANED AND SUBJECT TO RETURN UPON DEMAND.

DESCRIPTION: 208/230 VOLT PFW-100 MOBILE W/ WICK AND INTEGRATED CHIMNEY

CUSTOMER: BJS WHOLESALE

DO NOT SCALE  
DATE: 05/05/2023  
BY: JC

SAVED AS: 208-230 Volt PFW-100 Mobile Wick Electrical EVCO

NOTE: SPECIFICATIONS ARE SUBJECT TO CHANGE WITHOUT NOTICE.