

DESCRIPTION: 208/230 VOLT WPB MOBILE W/ WICK AND INTEGRATED CHIMNEY

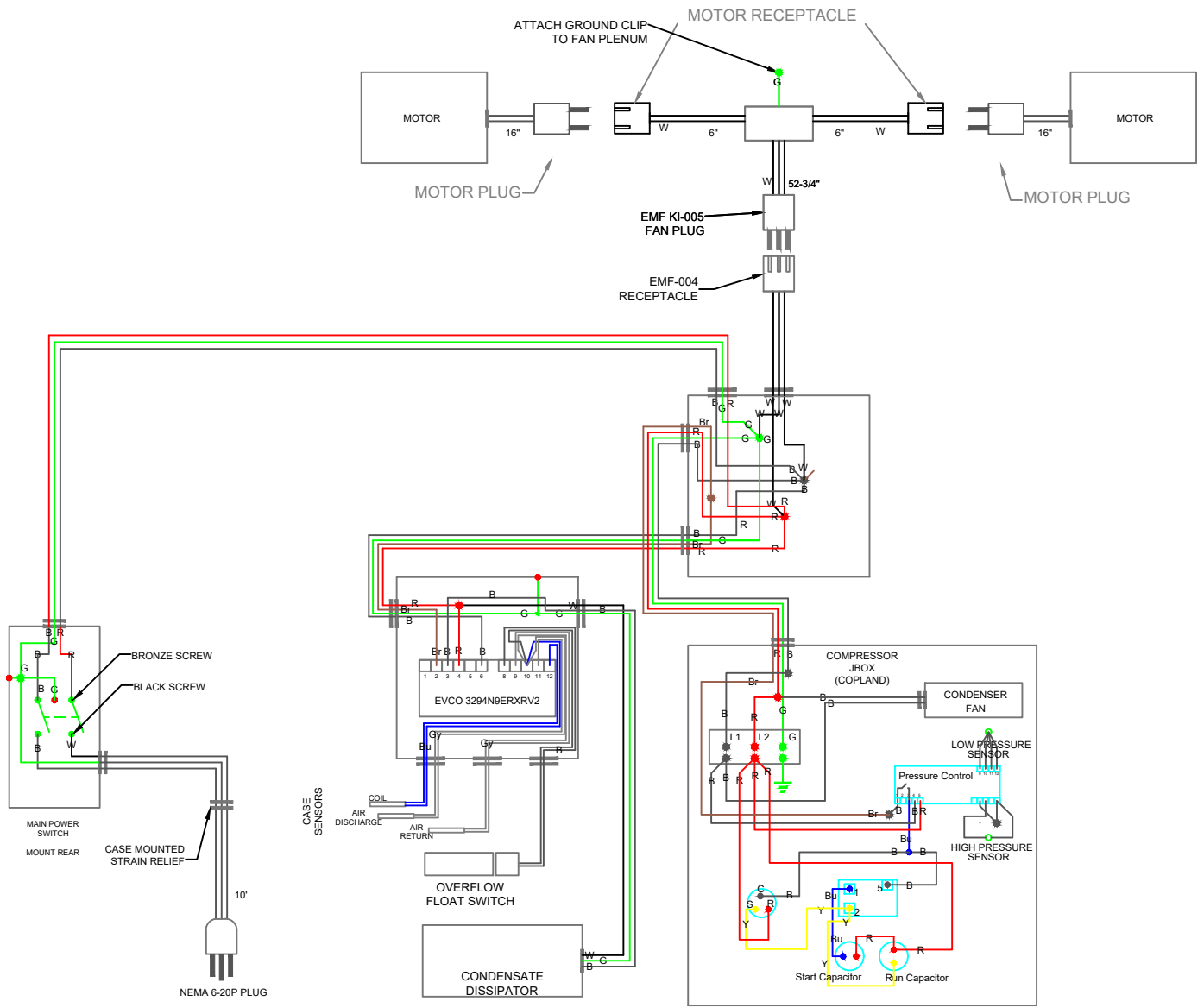
CUSTOMER: KILLION SL

manufactured by: **KILLION INDUSTRIES, INC.**

1380 Poinsettia Ave.
Vista, CA 92081

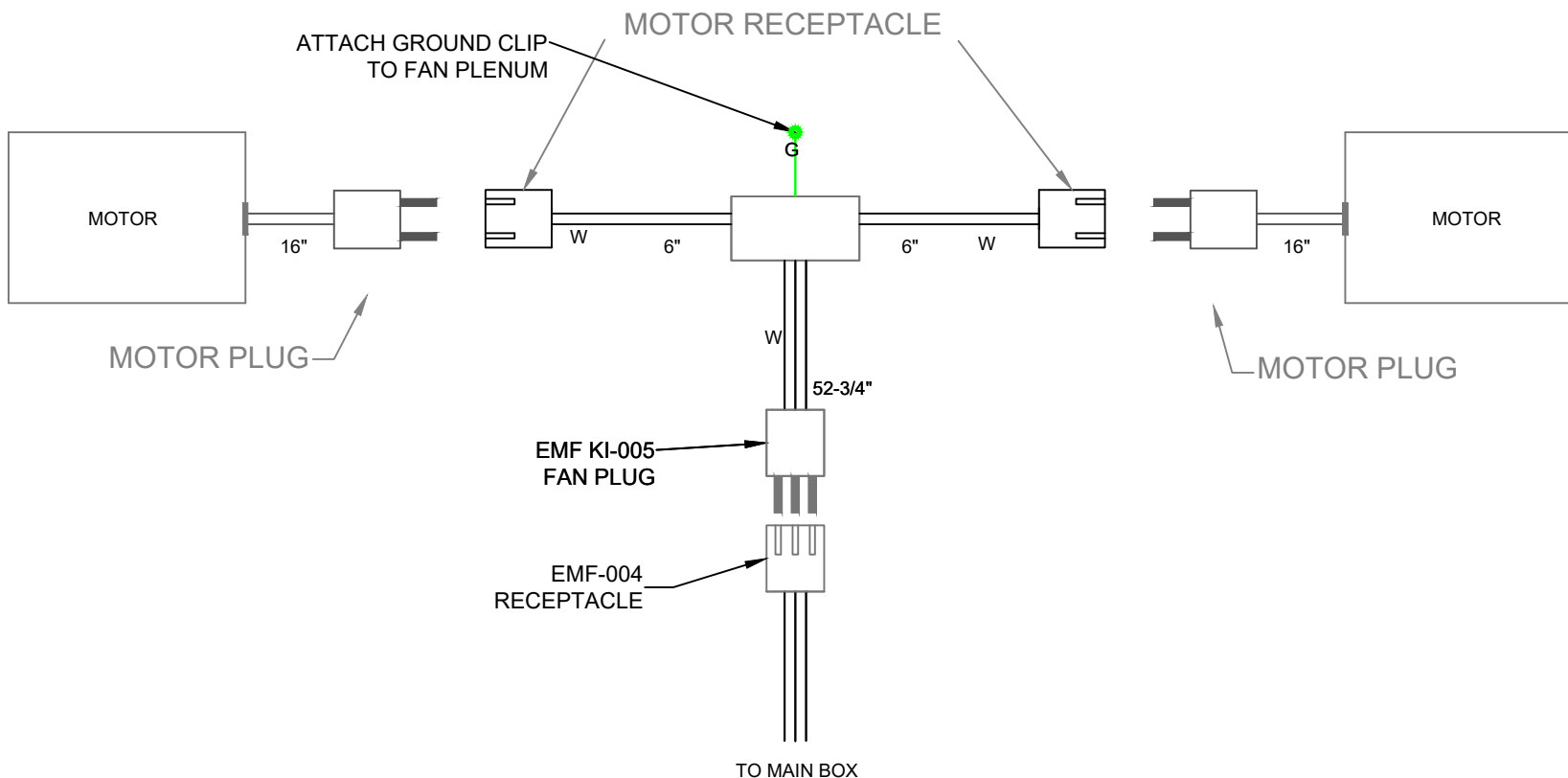
voice: 800-421-5352
fax: 760-727-1622
email: sales@killionindustries.com

NOTICE
THIS DOCUMENT CONTAINS CONFIDENTIAL AND PROPRIETARY INFORMATION WHICH IS THE PROPERTY OF KILLION INDUSTRIES, INC. AND MAY NOT BE COPIED OR REPRODUCED. THIS DOCUMENT IS LOANED AND SUBJECT TO RETURN UPON DEMAND.



- G = GREEN**
- W = WHITE**
- B = BLACK**
- R = RED**
- Br = BROWN**
- Bu = BLUE**
- Y = YELLOW**
- Gy = GRAY**

FAN MOTOR DETAIL



- G = GREEN**
- W = WHITE**
- B = BLACK**
- R = RED**
- Br = BROWN**
- Bu = BLUE**
- Y = YELLOW**
- Gy = GRAY**

manufactured by:



1380 Poinsettia Ave.
Vista, CA 92081

voice: 800-421-5352
fax: 760-727-1622
email: sales@killionindustries.com

NOTICE

THIS DOCUMENT CONTAINS CONFIDENTIAL AND PROPRIETARY MATERIAL WHICH IS THE PROPERTY OF KILLION INDUSTRIES, INC. AND MAY NOT BE COPIED OR REPRODUCED. THIS DOCUMENT IS LOANED AND SUBJECT TO RETURN UPON DEMAND.

DESCRIPTION:

208/230 VOLT WPB MOBILE W/ WICK AND INTEGRATED CHIMNEY

CUSTOMER:

KILLION SL

DO NOT SCALE

DATE: 07/05/2023

BY: ETT

SAVED AS: 208-230 Volt WPBMobile Wick Electrical Evco (2023-07)

NOTE: SPECIFICATIONS ARE SUBJECT TO CHANGE WITHOUT NOTICE.

MAIN BOX AND CONTROLLER DETAIL

manufactured by:

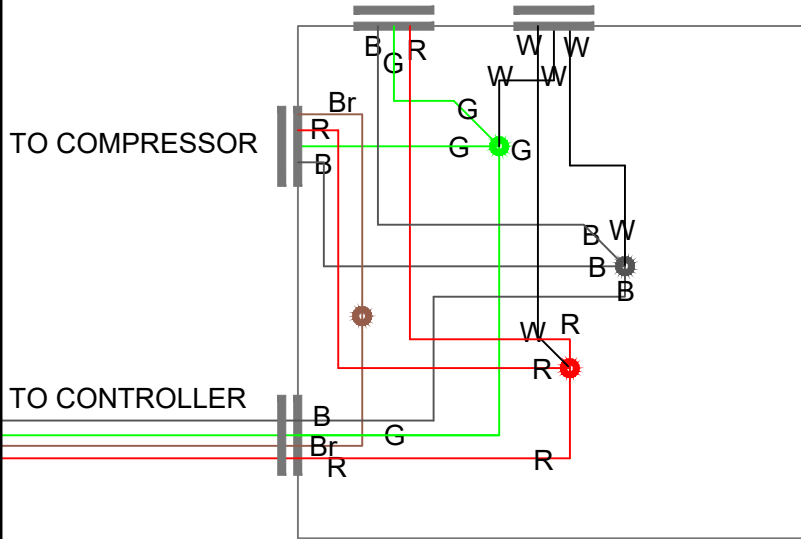


1380 Poinsettia Ave.
Vista, CA 92081

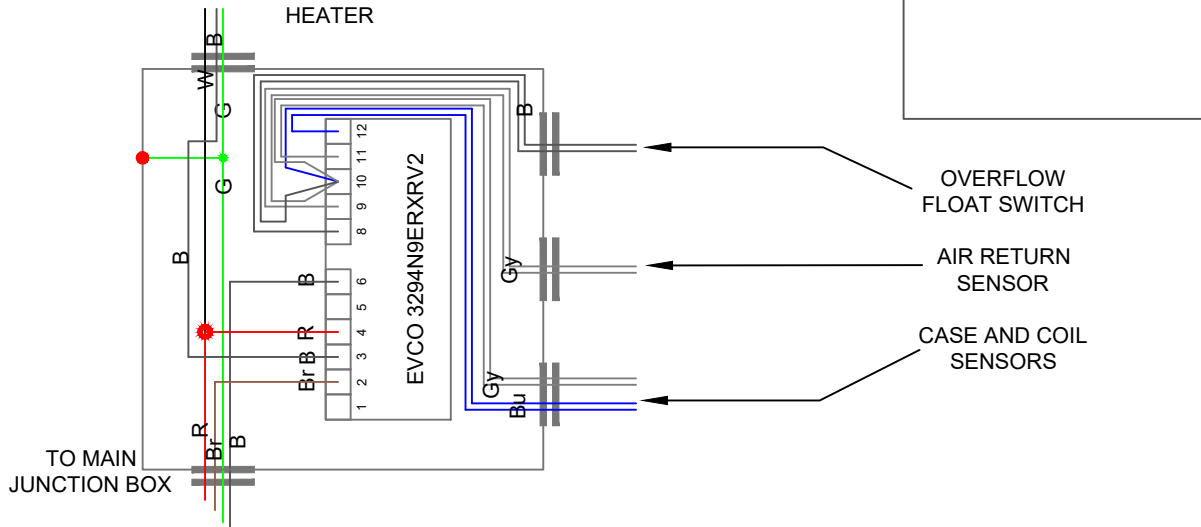
voice: 800-421-5352
fax: 760-727-1622
email: sales@killionindustries.com

NOTICE
THIS DOCUMENT CONTAINS CONFIDENTIAL AND PROPRIETARY MATERIAL WHICH IS THE PROPERTY OF KILLION INDUSTRIES, INC. AND MAY NOT BE COPIED OR REPRODUCED. THIS DOCUMENT IS LOANED AND SUBJECT TO RETURN UPON DEMAND.

TO EVAPORATOR
TO MAIN FANS
POWER SWITCH



TO CONDENSATE
HEATER



- G = GREEN
- W = WHITE
- B = BLACK
- R = RED
- Br = BROWN
- Bu = BLUE
- Y = YELLOW
- Gy = GRAY

DESCRIPTION:
CUSTOMER:

208/230 VOLT WPB MOBILE W/ WICK AND INTEGRATED CHIMNEY
KILLION SL

DO NOT SCALE

DATE: 07/05/2023

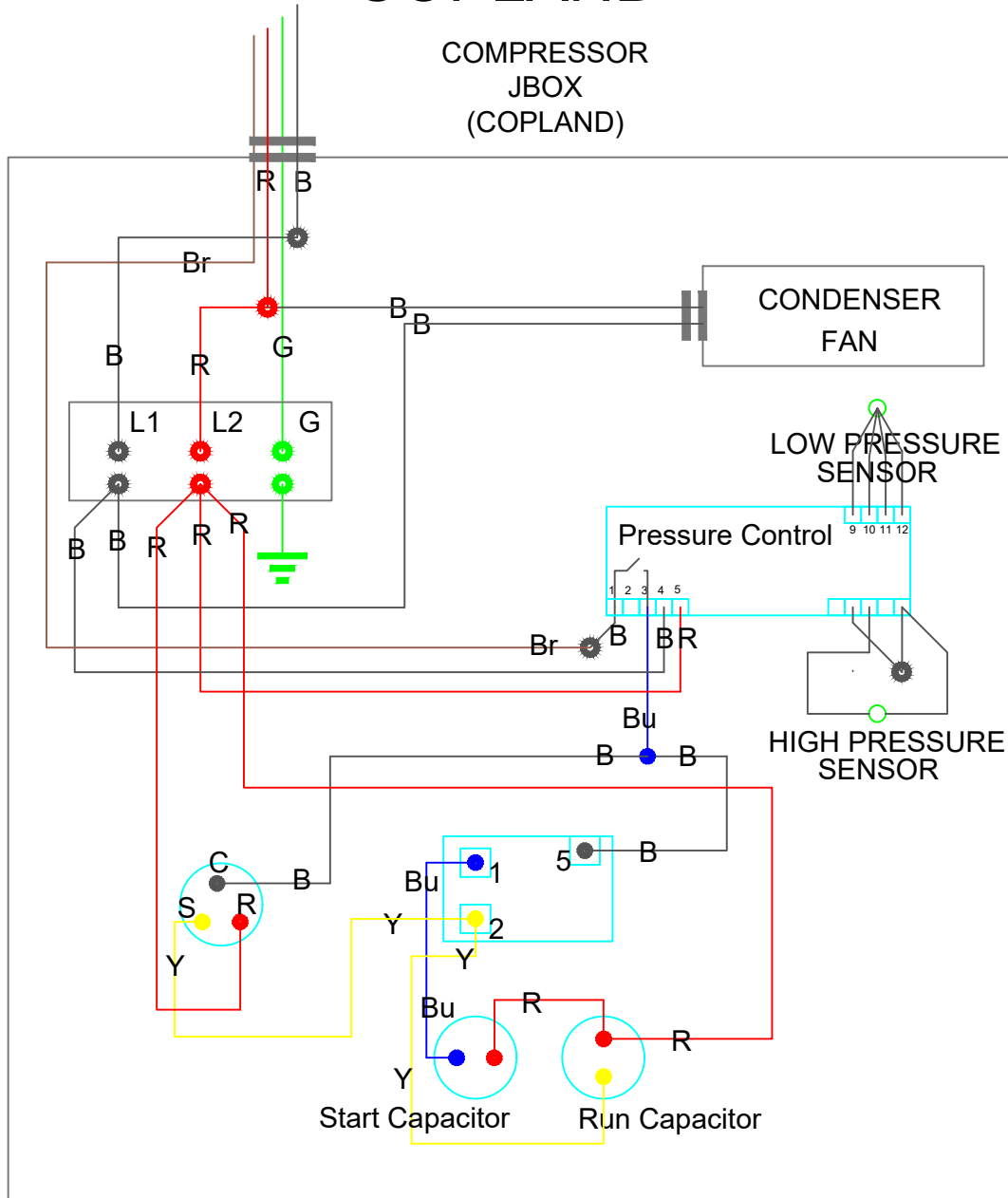
BY: ETT

SAVED AS: 208-230 Volt WPB Mobile Wick Electrical Evco (2023-07)

NOTE: SPECIFICATIONS ARE SUBJECT TO CHANGE WITHOUT NOTICE.

COMPRESSOR DETAIL COPLAND

COMPRESSOR
JBOX
(COPLAND)



- G = GREEN
- W = WHITE
- B = BLACK
- R = RED
- Br = BROWN
- Bu = BLUE
- Y = YELLOW
- Gy = GRAY



manufactured by:

1380 Poinsettia Ave.
Vista, CA 92081

voice: 800-421-5352
fax: 760-727-1622
email: sales@killionindustries.com

NOTICE
THIS DOCUMENT CONTAINS CONFIDENTIAL AND PROPRIETARY MATERIAL WHICH IS THE PROPERTY OF KILLION INDUSTRIES, INC. AND MAY NOT BE COPIED OR REPRODUCED. THIS DOCUMENT IS LOANED AND SUBJECT TO RETURN UPON DEMAND.

DESCRIPTION:

208/230 VOLT WPB MOBILE W/ WICK AND INTEGRATED CHIMNEY

CUSTOMER:

KILLION SL

DO NOT SCALE

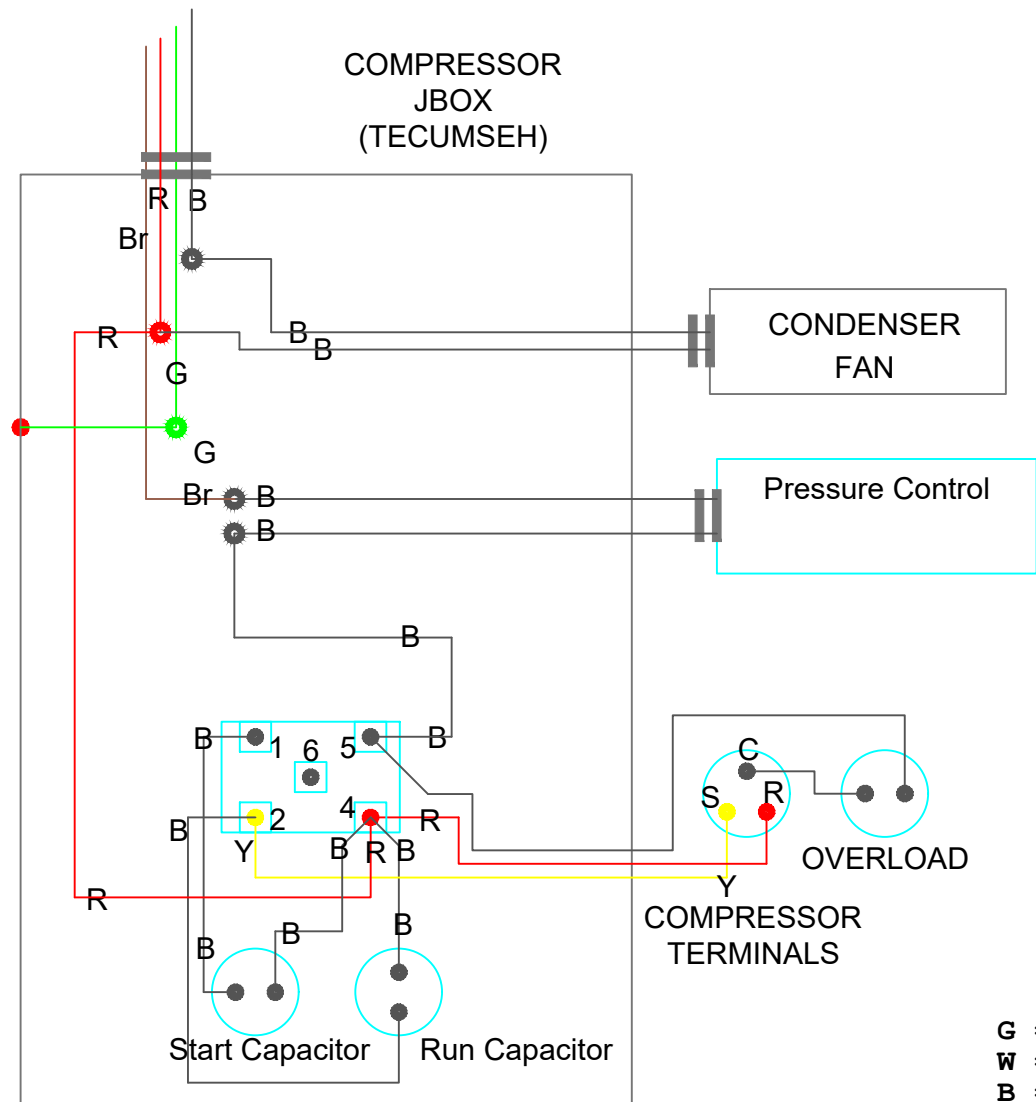
DATE: 07/05/2023

BY: ETT

SAVED AS: 208-230 Volt WPB Mobile Wick Electrical Evco (2023-07)

NOTE: SPECIFICATIONS ARE SUBJECT TO CHANGE WITHOUT NOTICE.

COMPRESSOR DETAIL TECUMSEH



- G = GREEN
- W = WHITE
- B = BLACK
- R = RED
- Br = BROWN
- Bu = BLUE
- Y = YELLOW
- Gy = GRAY

manufactured by:



1380 Poinsettia Ave.
Vista, CA 92081

voice: 800-421-5352
fax: 760-727-1622
email: sales@killionindustries.com

NOTICE

THIS DOCUMENT CONTAINS CONFIDENTIAL AND PROPRIETARY MATERIAL WHICH IS THE PROPERTY OF KILLION INDUSTRIES, INC. AND MAY NOT BE COPIED OR REPRODUCED. THIS DOCUMENT IS LOANED AND SUBJECT TO RETURN UPON DEMAND.

DESCRIPTION:
CUSTOMER:

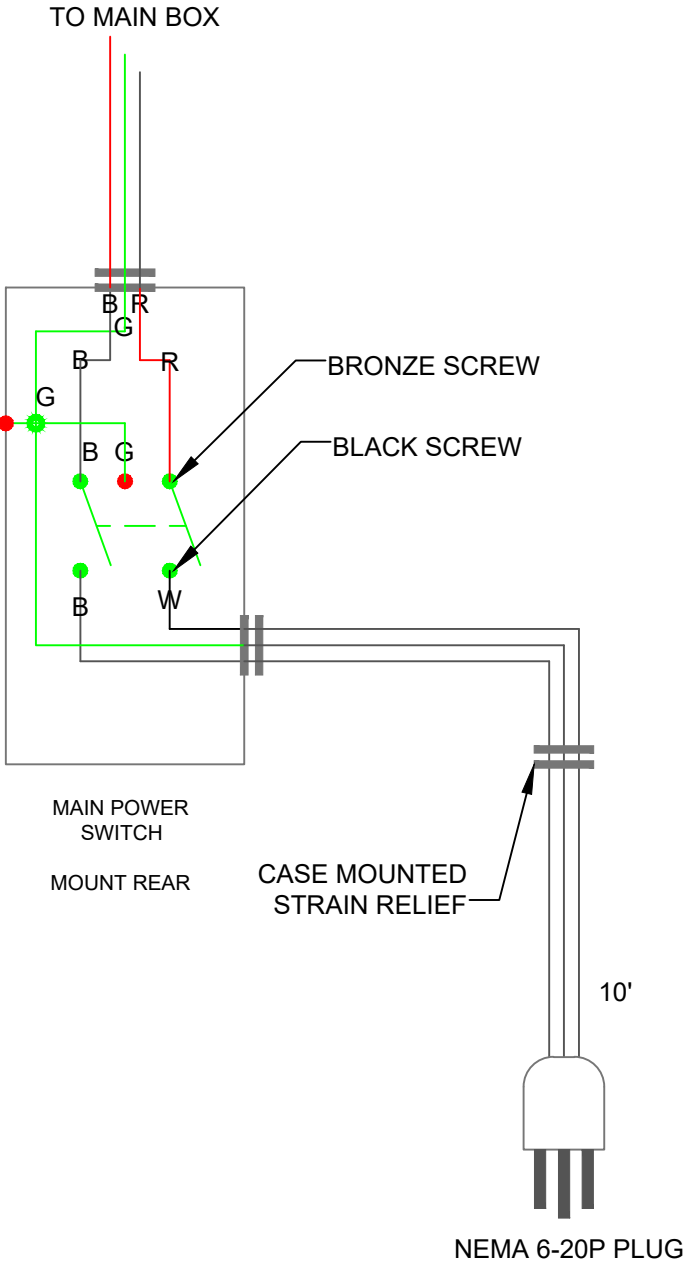
208/230 VOLT WPB MOBILE W/ WICK AND INTEGRATED CHIMNEY
KILLION SL

DO NOT SCALE
DATE: 07/05/2023
BY: ETT

SAVED AS: 208-230 Volt WPBMobile Wick Electrical Evco (2023-07)

NOTE: SPECIFICATIONS ARE SUBJECT TO CHANGE WITHOUT NOTICE.

MAIN SWITCH DETAIL



- G = GREEN
- W = WHITE
- B = BLACK
- R = RED
- Br = BROWN
- Bu = BLUE
- Y = YELLOW
- Gy = GRAY

manufactured by: **KILLION INDUSTRIES, INC.**
 1380 Poinsettia Ave.
 Vista, CA 92081
 voice: 800-421-5352
 fax: 760-727-1622
 email: sales@killionindustries.com

NOTICE
 THIS DOCUMENT CONTAINS CONFIDENTIAL AND PROPRIETARY MATERIAL WHICH IS THE PROPERTY OF KILLION INDUSTRIES, INC. AND MAY NOT BE COPIED OR REPRODUCED. THIS DOCUMENT IS LOANED AND SUBJECT TO RETURN UPON DEMAND.

DESCRIPTION: 208/230 VOLT WPB MOBILE W/ WICK AND INTEGRATED CHIMNEY
 CUSTOMER: KILLION SL

DO NOT SCALE
 DATE: 07/05/2023
 BY: ETT

SAVED AS: 208-230 Volt WPBMobile Wick Electrical Evco (2023-07)

NOTE: SPECIFICATIONS ARE SUBJECT TO CHANGE WITHOUT NOTICE.