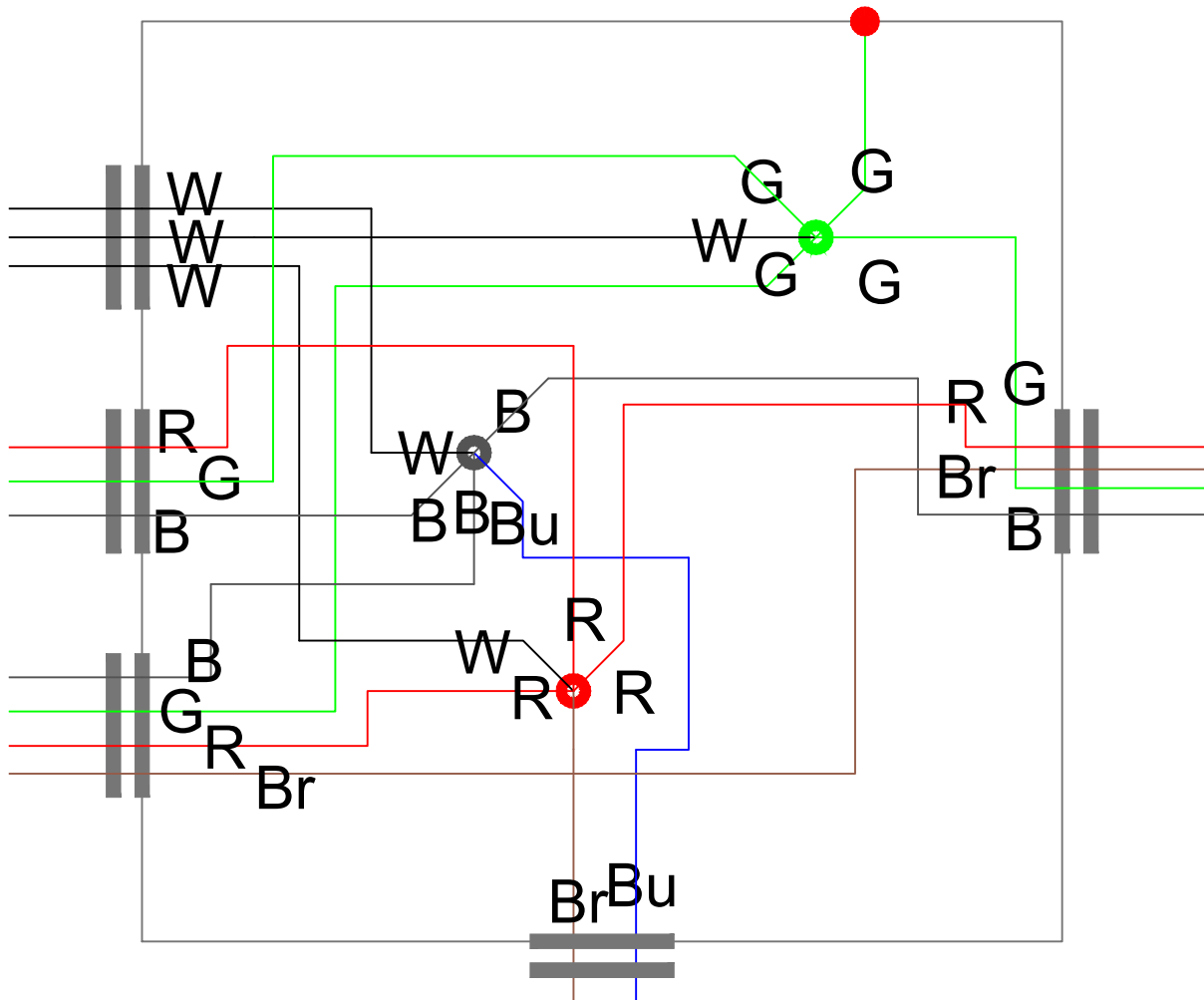




# J-BOX DETAIL



G = GREEN  
 W = WHITE  
 B = BLACK  
 R = RED  
 Br = BROWN  
 Bu = BLUE  
 Gy = GRAY  
 Y = YELLOW



manufactured by:

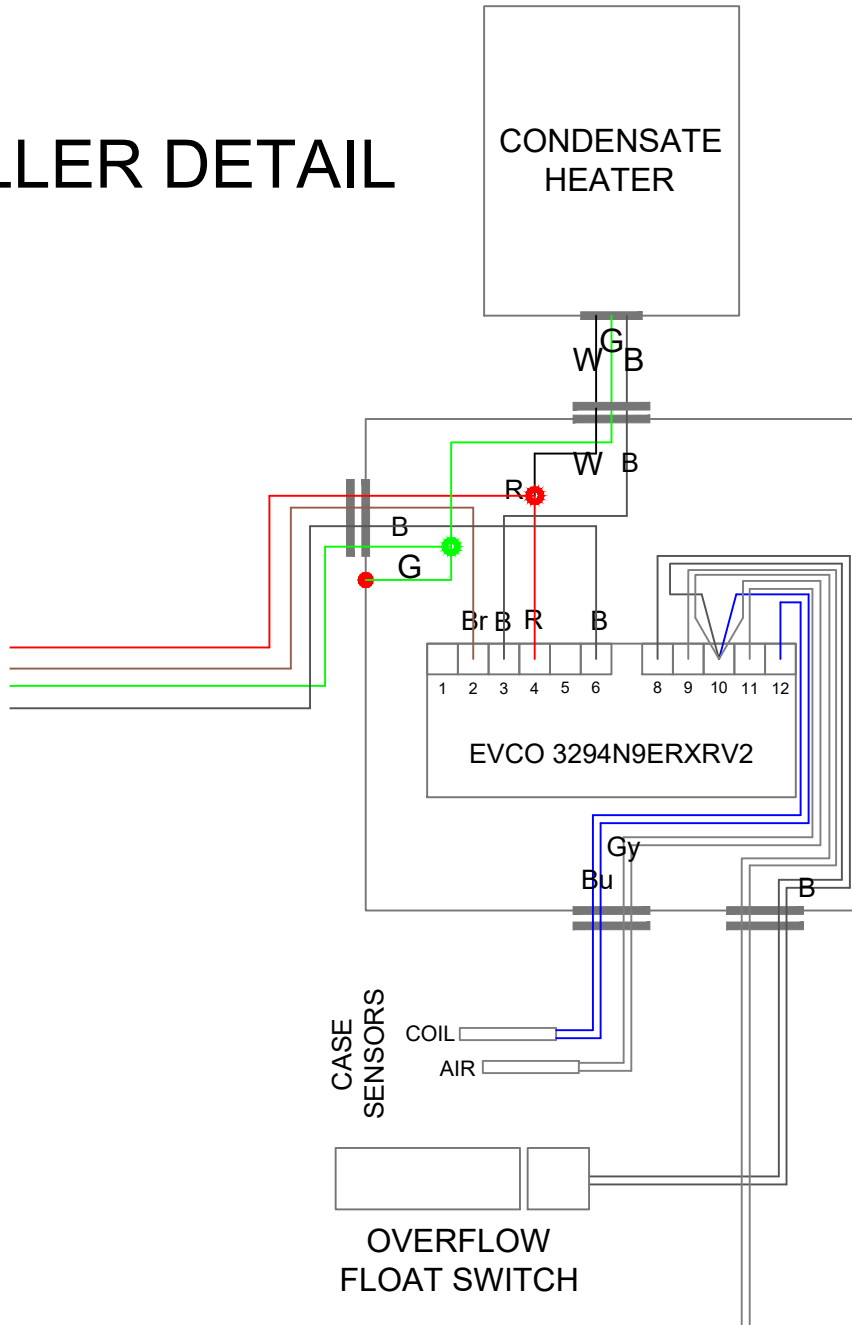
1380 Poinsettia Ave.  
Vista, CA 92081

voice: 800-421-5352  
fax: 760-727-5108  
email: sales@killionindustries.com

**NOTICE**  
THIS DOCUMENT CONTAINS CONFIDENTIAL AND PROPRIETARY MATERIAL WHICH IS THE PROPERTY OF KILLION INDUSTRIES, INC. AND MAY NOT BE COPIED OR REPRODUCED. THIS DOCUMENT IS LOANED AND SUBJECT TO RETURN UPON DEMAND.

DESCRIPTION: 208-230V XAP MOBILE ELECTRICAL W/ DISSIPATOR  
CUSTOMER: KILLION SL

# CONTROLLER DETAIL



- G = GREEN
- W = WHITE
- B = BLACK
- R = RED
- Br = BROWN
- Bu = BLUE
- Gy = GRAY
- Y = YELLOW



manufactured by:

1380 Poinsettia Ave.  
Vista, CA 92081

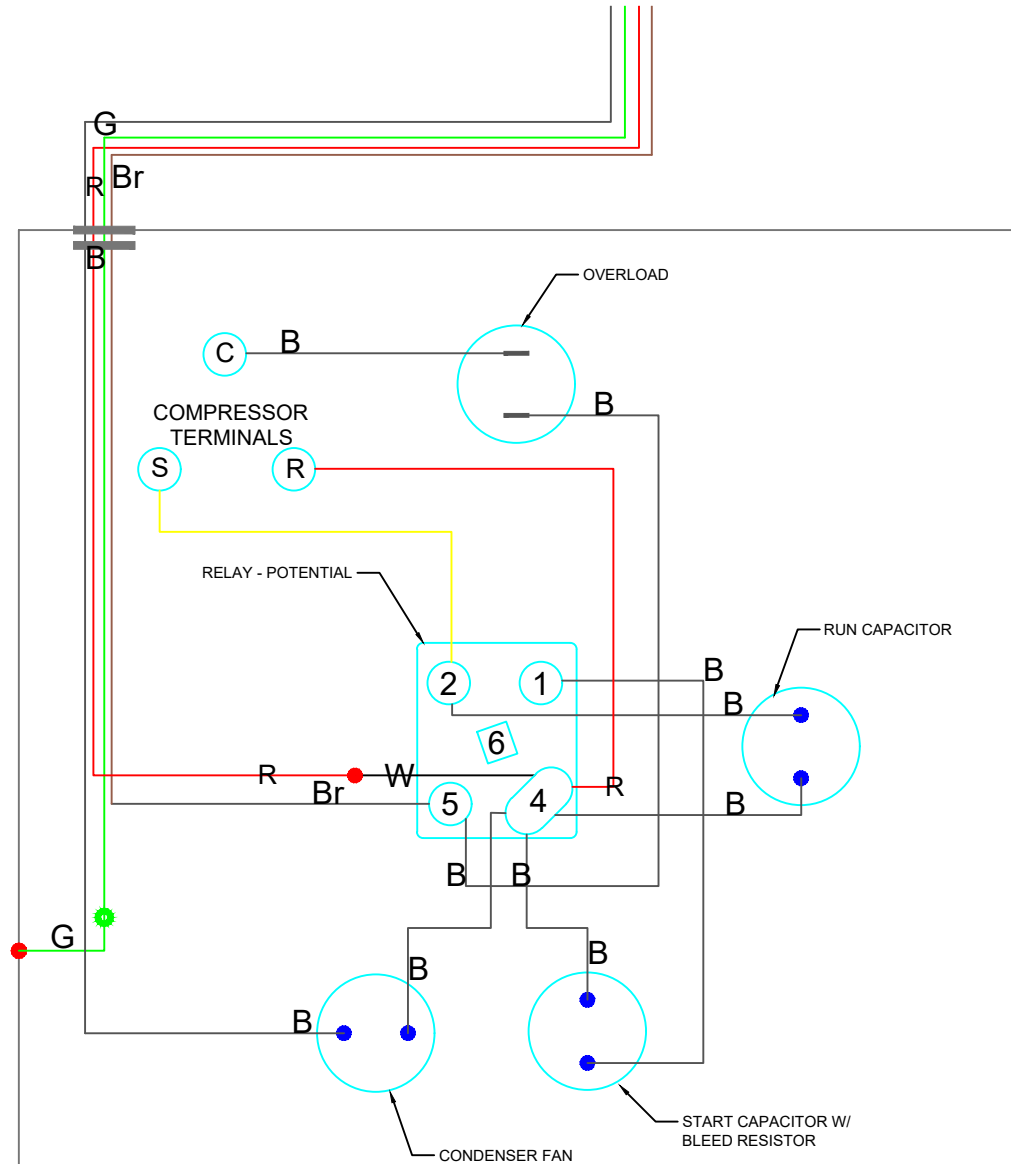
voice: 800-421-5352  
fax: 760-727-5108  
email: sales@killionindustries.com

**NOTICE**  
THIS DOCUMENT CONTAINS CONFIDENTIAL AND PROPRIETARY MATERIAL WHICH IS THE PROPERTY OF KILLION INDUSTRIES, INC. AND MAY NOT BE COPIED OR REPRODUCED. THIS DOCUMENT IS LOANED AND SUBJECT TO RETURN UPON DEMAND.

DESCRIPTION: 208-230V XAP MOBILE ELECTRICAL W/ DISSIPATOR  
CUSTOMER: KILLION SL

# COMPRESSOR DETAIL

- G = GREEN
- W = WHITE
- B = BLACK
- R = RED
- Br = BROWN
- Bu = BLUE
- Gy = GRAY
- Y = YELLOW



manufactured by:

1380 Poinsettia Ave.  
Vista, CA 92081

voice: 800-421-5352  
fax: 760-727-5108  
email: sales@killionindustries.com

**NOTICE**  
THIS DOCUMENT CONTAINS CONFIDENTIAL AND PROPRIETARY MATERIAL WHICH IS THE PROPERTY OF KILLION INDUSTRIES, INC. AND MAY NOT BE COPIED OR REPRODUCED. THIS DOCUMENT IS LOANED AND SUBJECT TO RETURN UPON DEMAND.

DESCRIPTION:

208-230V XAP MOBILE ELECTRICAL W/ DISSIPATOR

CUSTOMER:

KILLION SL

DO NOT SCALE

DATE: 04/28/2023

BY: JC

SAVED AS: 208-230 Volt XAP Mobile WICK Electrical EVCO.dwg