

DESCRIPTION: 208/230 VOLT XSSC OMNI 6' MOBILE W/ WICK AND INTEGRATED CHIMNEY

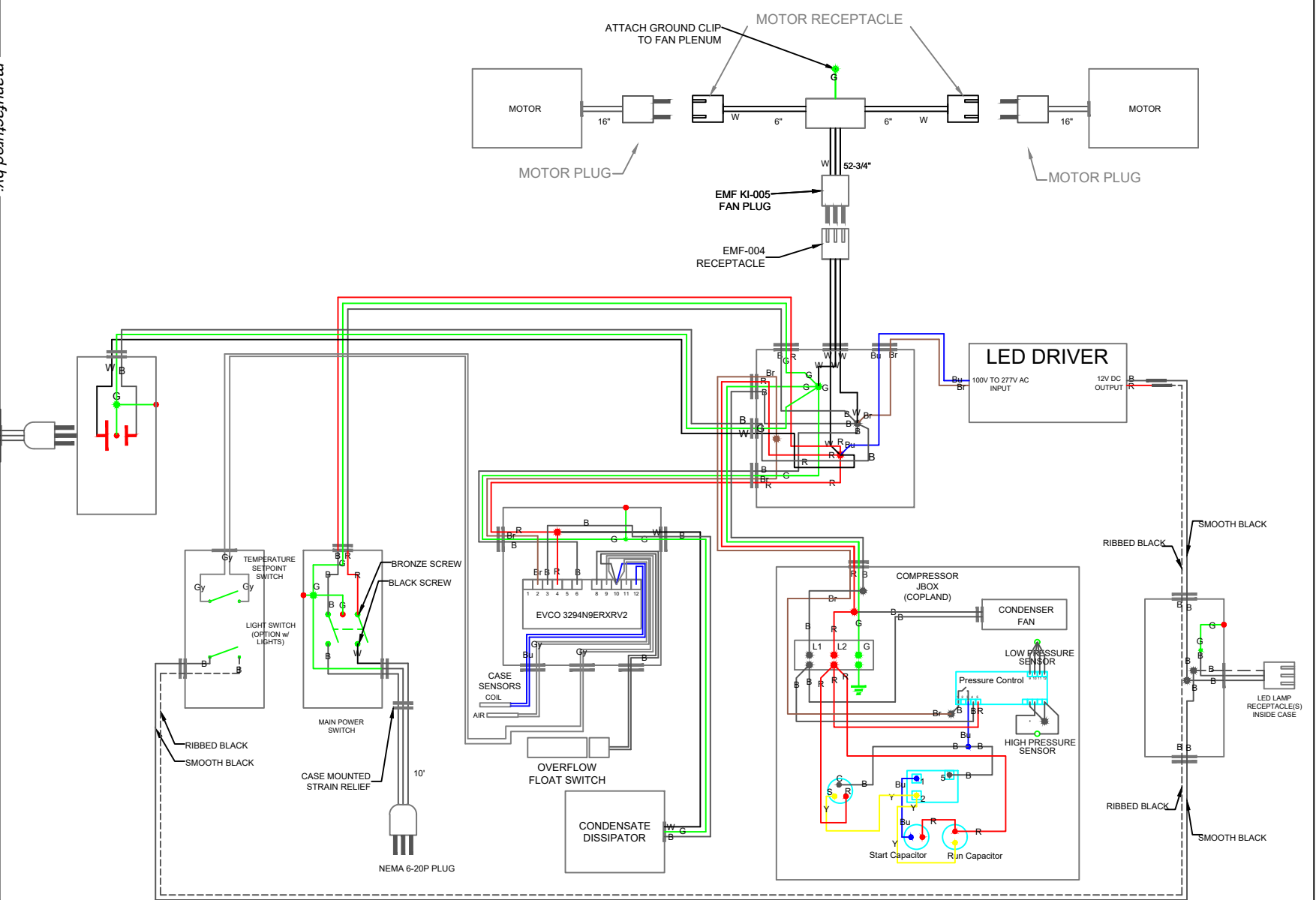
CUSTOMER: ALBERTSONS

manufactured by: **KILLION INDUSTRIES, INC.**

1380 Poinsettia Ave.
Vista, CA 92081

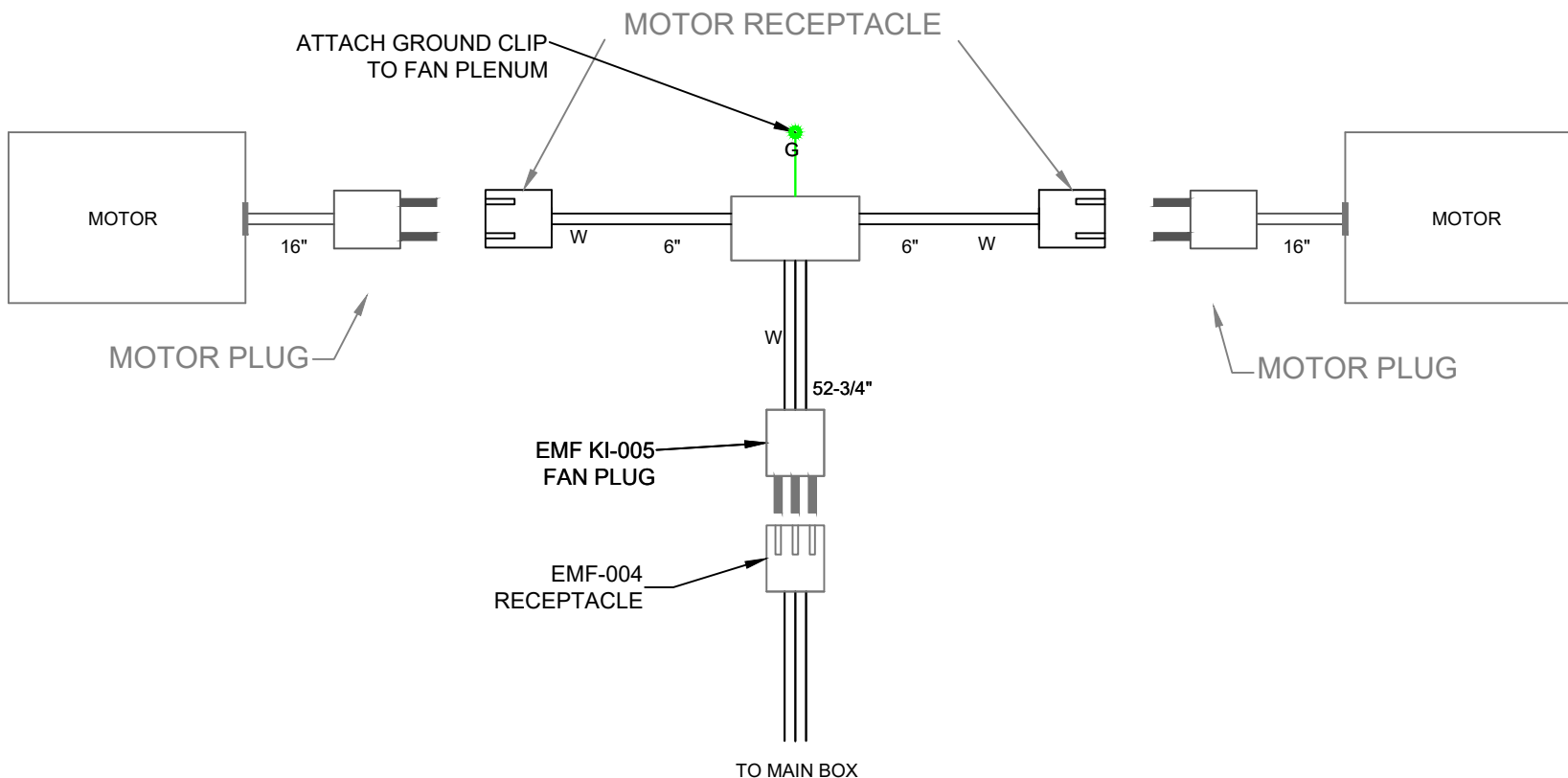
voice: 800-421-5352
fax: 760-727-1622
email: sales@killionindustries.com

NOTICE
THIS DOCUMENT CONTAINS CONFIDENTIAL AND PROPRIETARY MATERIAL WHICH IS THE PROPERTY OF KILLION INDUSTRIES, INC. AND MAY NOT BE COPIED OR REPRODUCED. THIS DOCUMENT IS LOANED AND SUBJECT TO RETURN UPON DEMAND.



- G = GREEN**
- W = WHITE**
- B = BLACK**
- R = RED**
- Br = BROWN**
- Bu = BLUE**
- Y = YELLOW**
- Gy = GRAY**

FAN MOTOR DETAIL



- G = GREEN**
- W = WHITE**
- B = BLACK**
- R = RED**
- Br = BROWN**
- Bu = BLUE**
- Y = YELLOW**
- Gy = GRAY**

manufactured by:

KILLION INDUSTRIES, INC.

1380 Poinsettia Ave.
Vista, CA 92081

voice: 800-421-5352
fax: 760-727-1622
email: sales@killionindustries.com

NOTICE
THIS DOCUMENT CONTAINS CONFIDENTIAL AND PROPRIETARY MATERIAL WHICH IS THE PROPERTY OF KILLION INDUSTRIES, INC. AND MAY NOT BE COPIED OR REPRODUCED. THIS DOCUMENT IS LOANED AND SUBJECT TO RETURN UPON DEMAND.

DESCRIPTION: 208/230 VOLT XSSC OMNI 6' MOBILE W/ WICK AND INTEGRATED CHIMNEY

CUSTOMER: ALBERTSONS

DO NOT SCALE

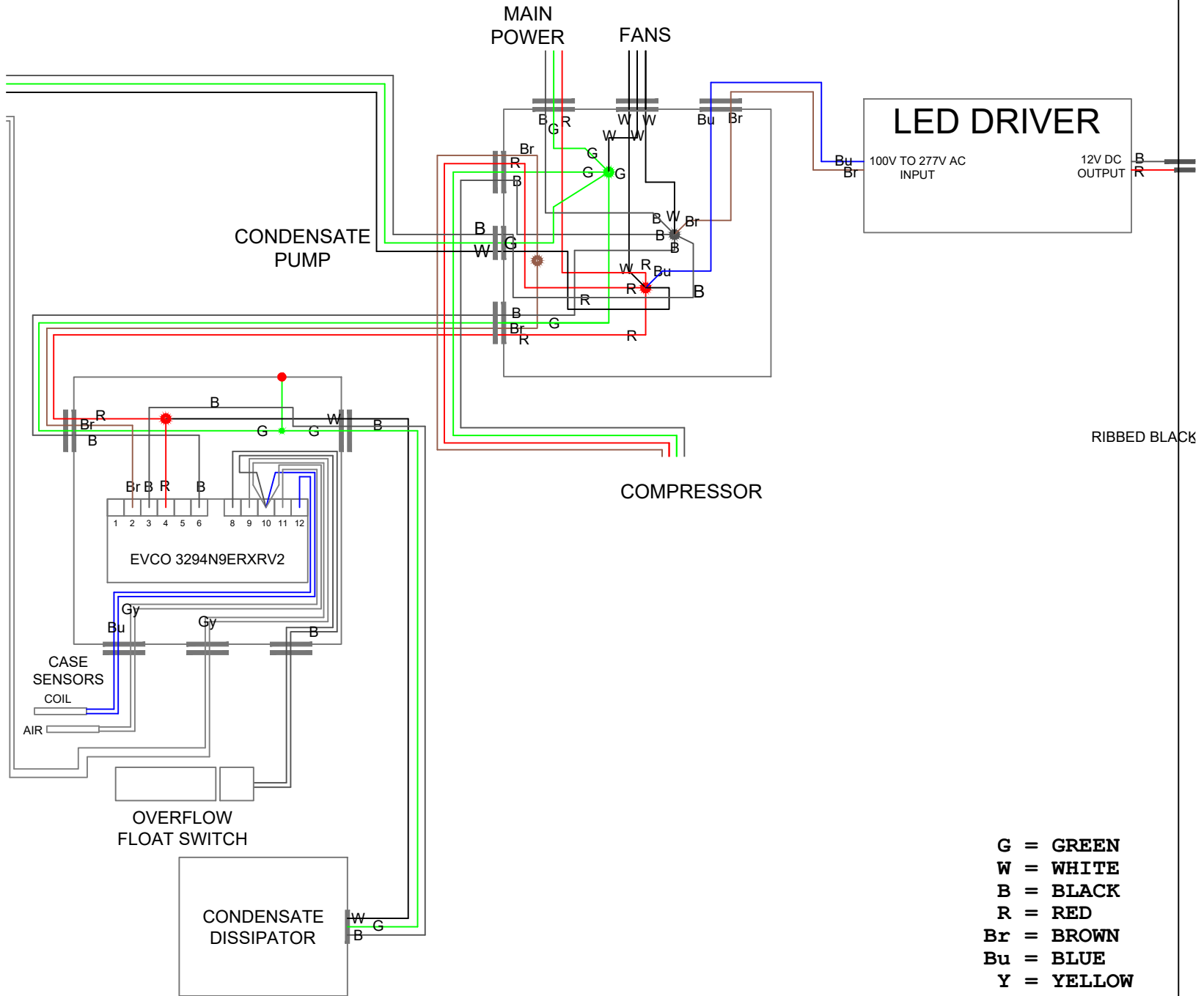
DATE: 04/28/2023

BY: JC

SAVED AS: 208-230 Volt XSSC OMNI 6' Mobile Wick Electrical LAE

NOTE: SPECIFICATIONS ARE SUBJECT TO CHANGE WITHOUT NOTICE.

MAIN BOX AND CONTROLLER DETAIL



DESCRIPTION: 208/230 VOLT XSSC OMNI 6' MOBILE W/ WICK AND INTEGRATED CHIMNEY

CUSTOMER: ALBERTSONS

manufactured by: **KILLION INDUSTRIES, INC.**

1380 Poinsettia Ave.
Vista, CA 92081

voice: 800-421-5352
fax: 760-727-1622
email: sales@killionindustries.com

NOTICE
THIS DOCUMENT CONTAINS CONFIDENTIAL AND PROPRIETARY MATERIAL WHICH IS THE PROPERTY OF KILLION INDUSTRIES, INC. AND MAY NOT BE COPIED OR REPRODUCED. THIS DOCUMENT IS LOANED AND SUBJECT TO RETURN UPON DEMAND.

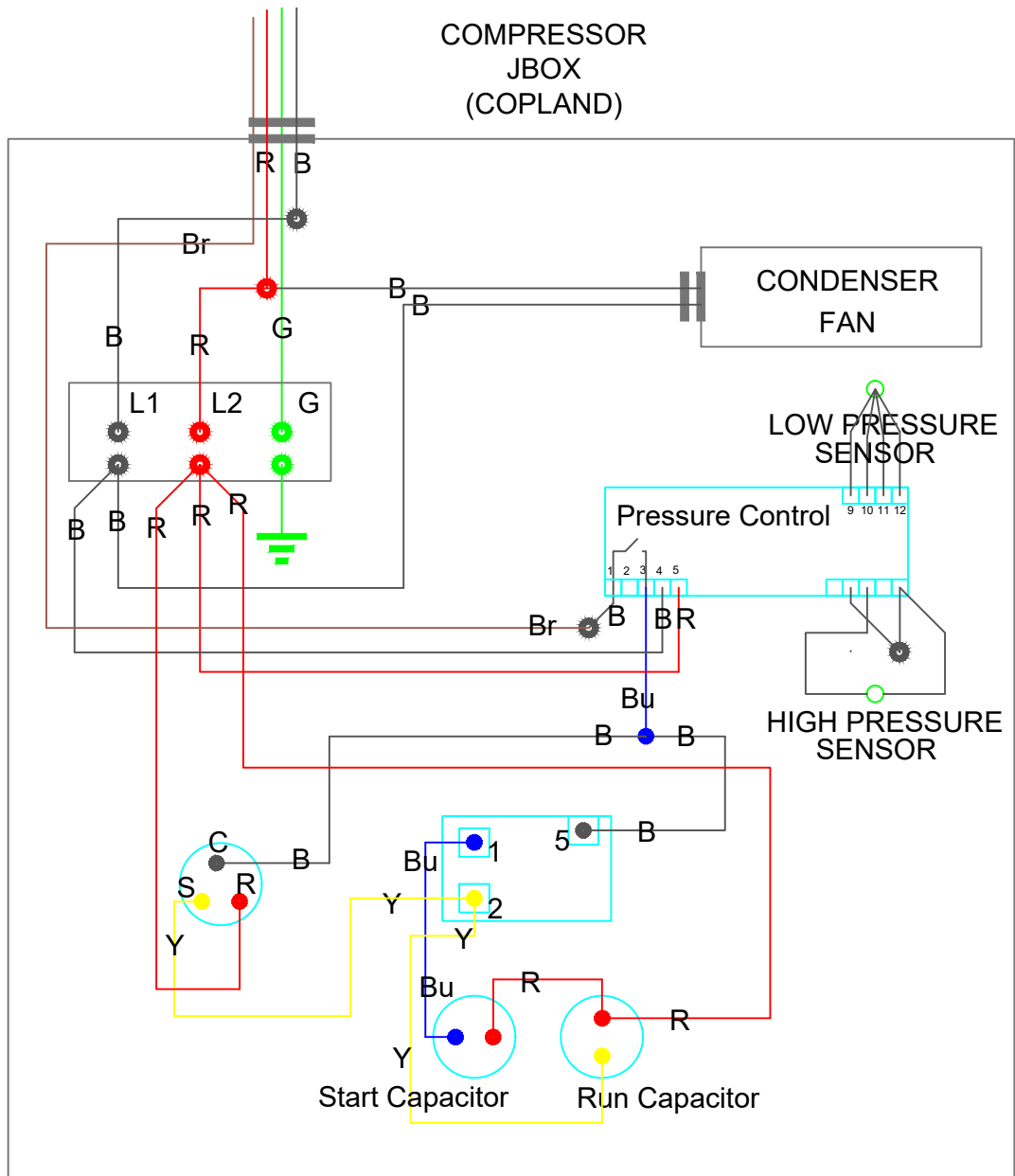
DO NOT SCALE
DATE: 04/28/2023
BY: JC

SAVED AS: 208-230 Volt XSSC OMNI 6' Mobile Wick Electrical LAE

NOTE: SPECIFICATIONS ARE SUBJECT TO CHANGE WITHOUT NOTICE.

COMPRESSOR DETAIL COPLAND

COMPRESSOR
JBOX
(COPLAND)



- G = GREEN
- W = WHITE
- B = BLACK
- R = RED
- Br = BROWN
- Bu = BLUE
- Y = YELLOW
- Gy = GRAY



manufactured by:

1380 Poinsettia Ave.
Vista, CA 92081

voice: 800-421-5352
fax: 760-727-1622
email: sales@kilionindustries.com

NOTICE

THIS DOCUMENT CONTAINS CONFIDENTIAL AND PROPRIETARY MATERIAL WHICH IS THE PROPERTY OF KILION INDUSTRIES, INC. AND MAY NOT BE COPIED OR REPRODUCED. THIS DOCUMENT IS LOANED AND SUBJECT TO RETURN UPON DEMAND.

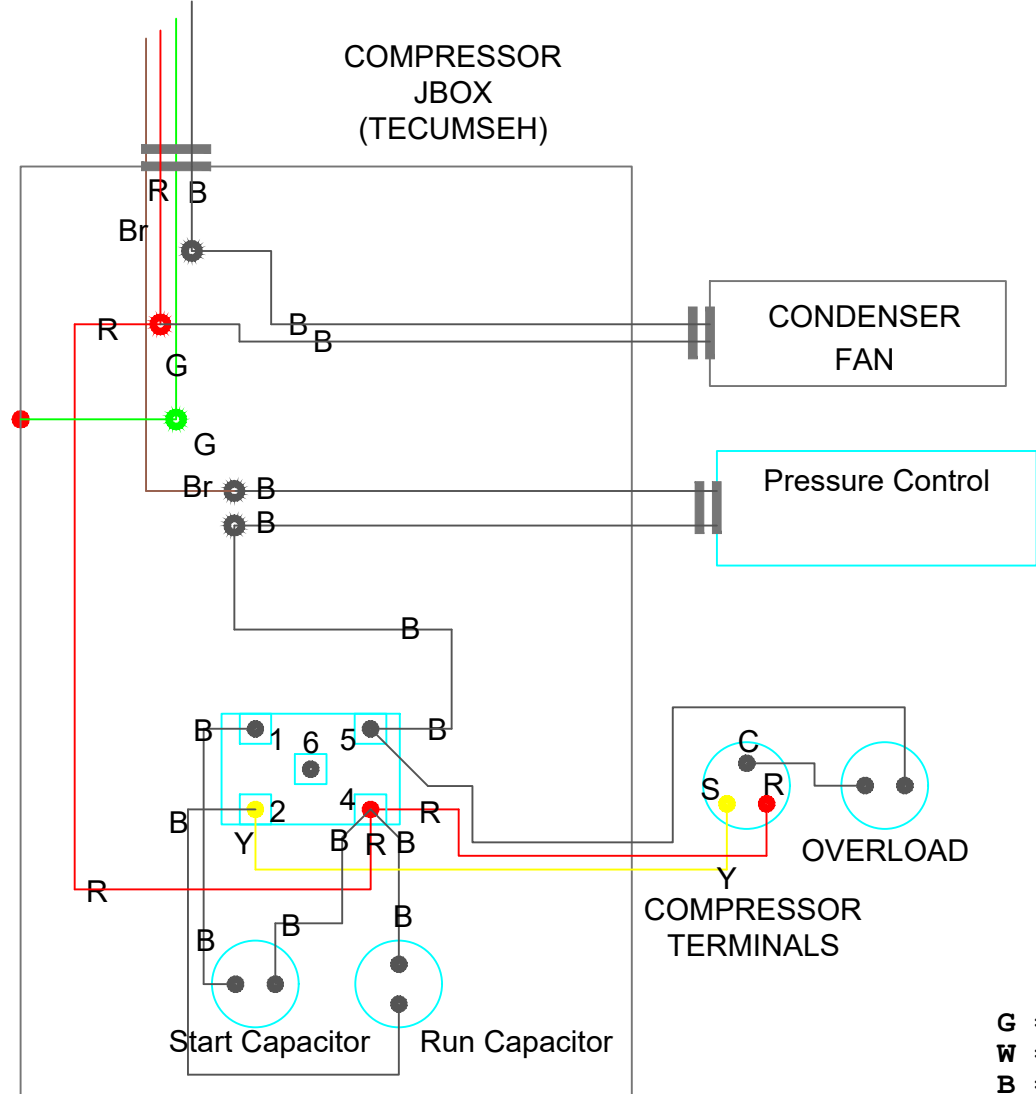
DESCRIPTION: 208/230 VOLT XSSC OMNI 6' MOBILE W/ WICK AND INTEGRATED CHIMNEY
CUSTOMER: ALBERTSONS

DO NOT SCALE
DATE: 04/28/2023
BY: JC

SAVED AS: 208-230 Volt XSSC OMNI 6' Mobile Wick Electrical LAE

NOTE: SPECIFICATIONS ARE SUBJECT TO CHANGE WITHOUT NOTICE.

COMPRESSOR DETAIL TECUMSEH



- G = GREEN
- W = WHITE
- B = BLACK
- R = RED
- Br = BROWN
- Bu = BLUE
- Y = YELLOW
- Gy = GRAY

manufactured by:



1380 Poinsettia Ave.
Vista, CA 92081

voice: 800-421-5352
fax: 760-727-1622
email: sales@killionindustries.com

NOTICE

THIS DOCUMENT CONTAINS CONFIDENTIAL AND PROPRIETARY MATERIAL WHICH IS THE PROPERTY OF KILLION INDUSTRIES, INC. AND MAY NOT BE COPIED OR REPRODUCED. THIS DOCUMENT IS LOANED AND SUBJECT TO RETURN UPON DEMAND.

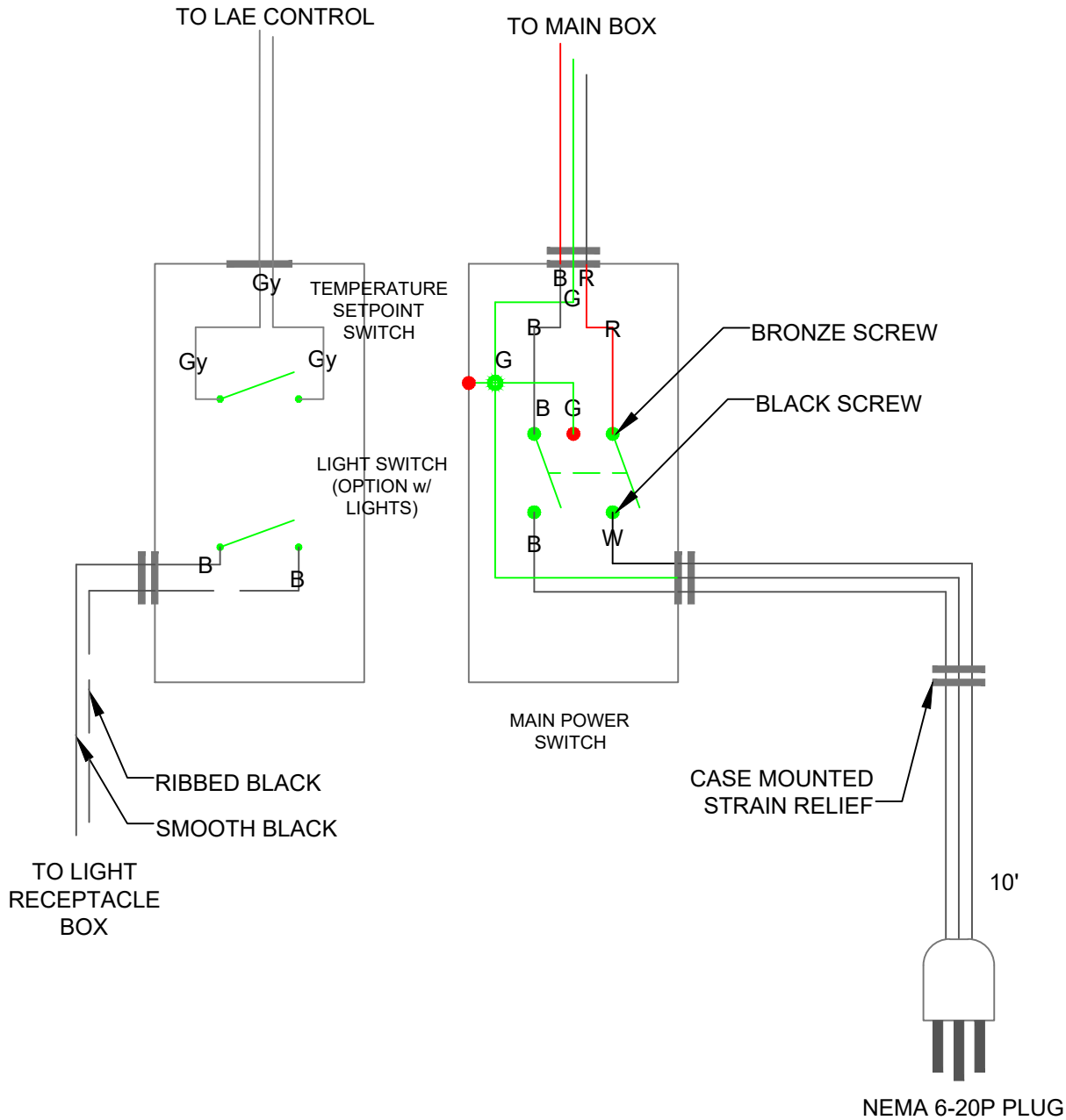
DESCRIPTION: 208/230 VOLT XSSC OMNI 6' MOBILE W/ WICK AND INTEGRATED CHIMNEY
CUSTOMER: ALBERTSONS

DO NOT SCALE
DATE: 04/28/2023
BY: JC

SAVED AS: 208-230 Volt XSSC OMNI 6' Mobile Wick Electrical LAE

NOTE: SPECIFICATIONS ARE SUBJECT TO CHANGE WITHOUT NOTICE.

MAIN SWITCH DETAIL



- G = GREEN
- W = WHITE
- B = BLACK
- R = RED
- Br = BROWN
- Bu = BLUE
- Y = YELLOW
- Gy = GRAY

manufactured by: **KILLION INDUSTRIES, INC.**
 1380 Poinsettia Ave.
 Vista, CA 92081
 voice: 800-421-5352
 fax: 760-727-1622
 email: sales@killionindustries.com

DESCRIPTION: 208/230 VOLT XSSC OMNI 6' MOBILE W/ WICK AND INTEGRATED CHIMNEY
 CUSTOMER: ALBERTSONS

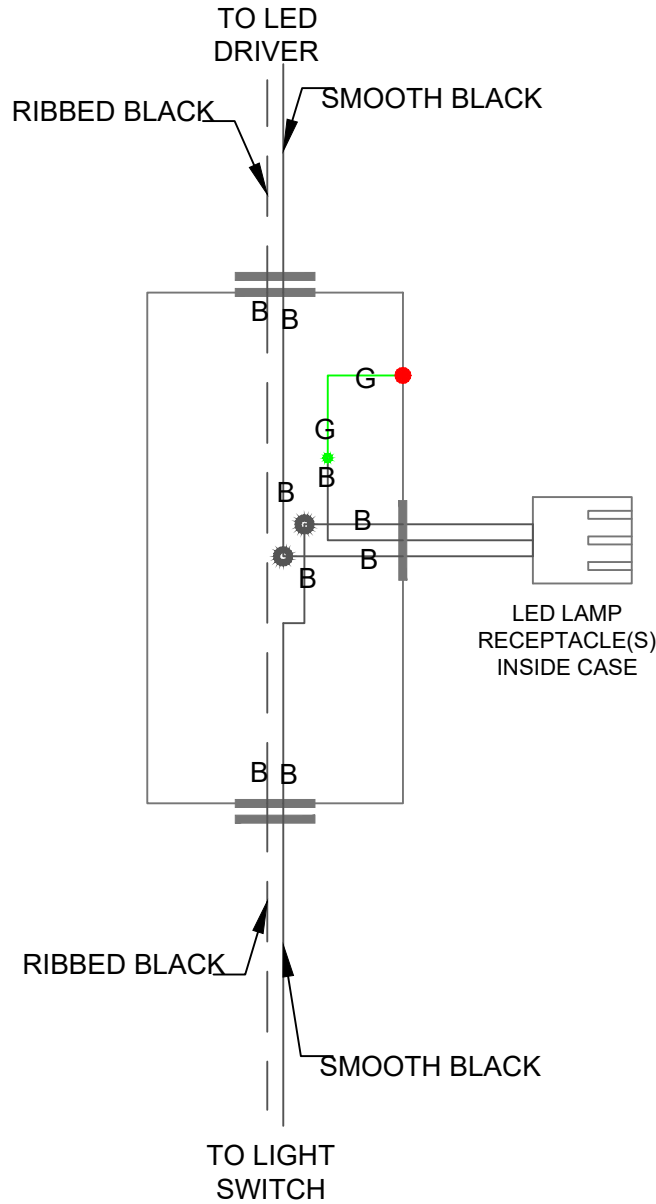
NOTICE
 THIS DOCUMENT CONTAINS CONFIDENTIAL AND PROPRIETARY MATERIAL WHICH IS THE PROPERTY OF KILLION INDUSTRIES, INC. AND MAY NOT BE COPIED OR REPRODUCED. THIS DOCUMENT IS LOANED AND SUBJECT TO RETURN UPON DEMAND.

DO NOT SCALE
 DATE: 04/28/2023
 BY: JC

SAVED AS: 208-230 Volt XSSC OMNI 6' Mobile Wick Electrical LAE

NOTE: SPECIFICATIONS ARE SUBJECT TO CHANGE WITHOUT NOTICE.

LIGHTING DETAIL



- G = GREEN
- W = WHITE
- B = BLACK
- R = RED
- Br = BROWN
- Bu = BLUE
- Y = YELLOW
- Gy = GRAY

manufactured by:



1380 Poinsettia Ave.
Vista, CA 92081

voice: 800-421-5352
fax: 760-727-1622
email: sales@killionindustries.com

NOTICE

THIS DOCUMENT CONTAINS CONFIDENTIAL AND PROPRIETARY MATERIAL WHICH IS THE PROPERTY OF KILLION INDUSTRIES, INC. AND MAY NOT BE COPIED OR REPRODUCED. THIS DOCUMENT IS LOANED AND SUBJECT TO RETURN UPON DEMAND.

DESCRIPTION: 208/230 VOLT XSSC OMNI 6' MOBILE W/ WICK AND INTEGRATED CHIMNEY

CUSTOMER:

ALBERTSONS

DO NOT SCALE
DATE: 04/28/2023
BY: JC

SAVED AS: 208-230 Volt XSSC OMNI 6' Mobile Wick Electrical LAE

NOTE: SPECIFICATIONS ARE SUBJECT TO CHANGE WITHOUT NOTICE.