

CUSTOMER:

DESCRIPTION:

208/230 VOLT XSSC OMNI 8' MOBILE W/ WICK AND INTEGRATED CHIMNEY



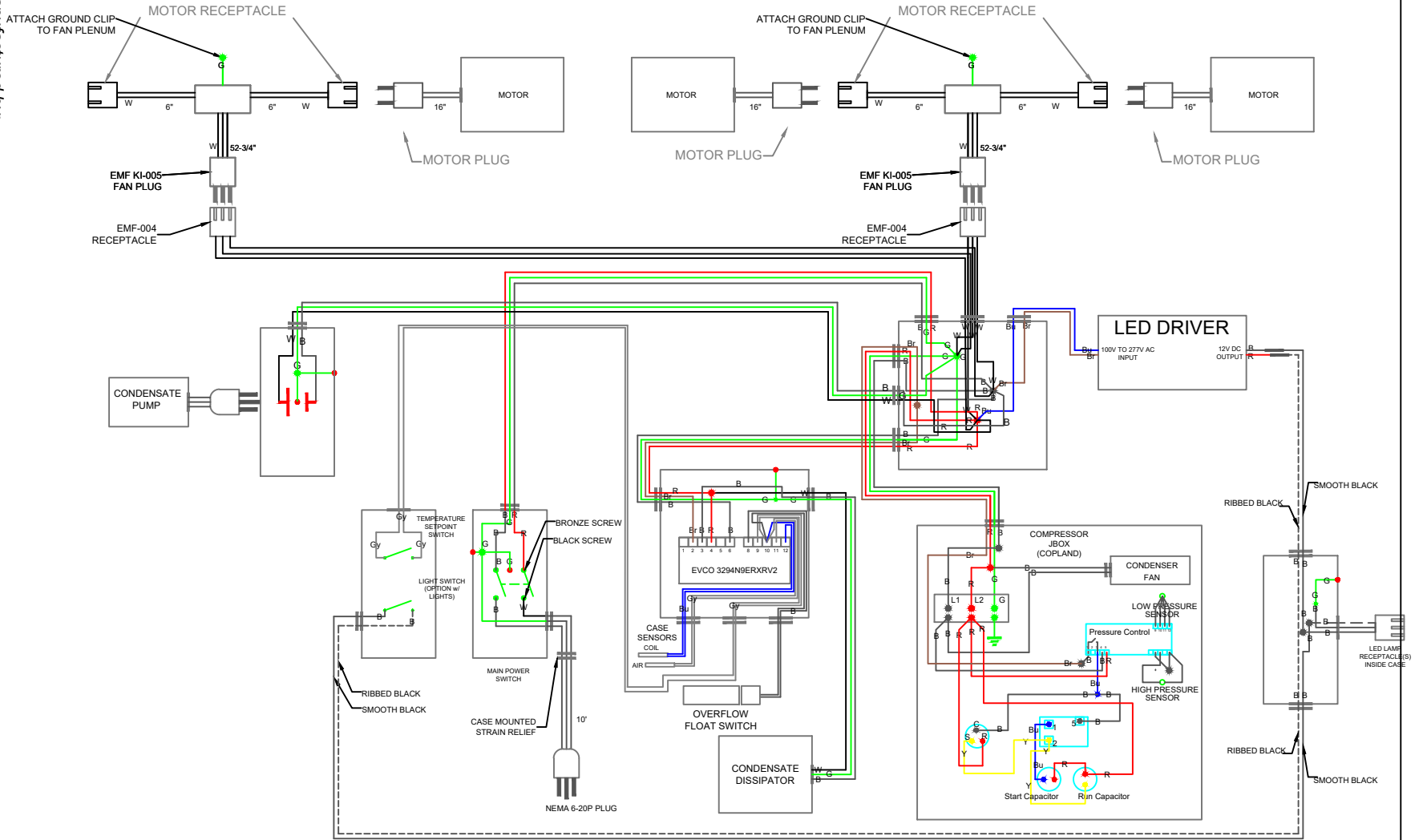
manufactured by:

1380 Poinsettia Ave.
Vista, CA 92081

voice: 800-421-5352
fax: 760-727-1622
email: sales@killionindustries.com

NOTICE

THIS DOCUMENT CONTAINS CONFIDENTIAL AND PROPRIETARY MATERIAL WHICH IS THE PROPERTY OF KILLION INDUSTRIES, INC. AND MAY NOT BE COPIED OR REPRODUCED. THIS DOCUMENT IS LOANED AND SUBJECT TO RETURN UPON DEMAND.



- G = GREEN**
- W = WHITE**
- B = BLACK**
- R = RED**
- Br = BROWN**
- Bu = BLUE**
- Y = YELLOW**
- Gy = GRAY**

DO NOT SCALE

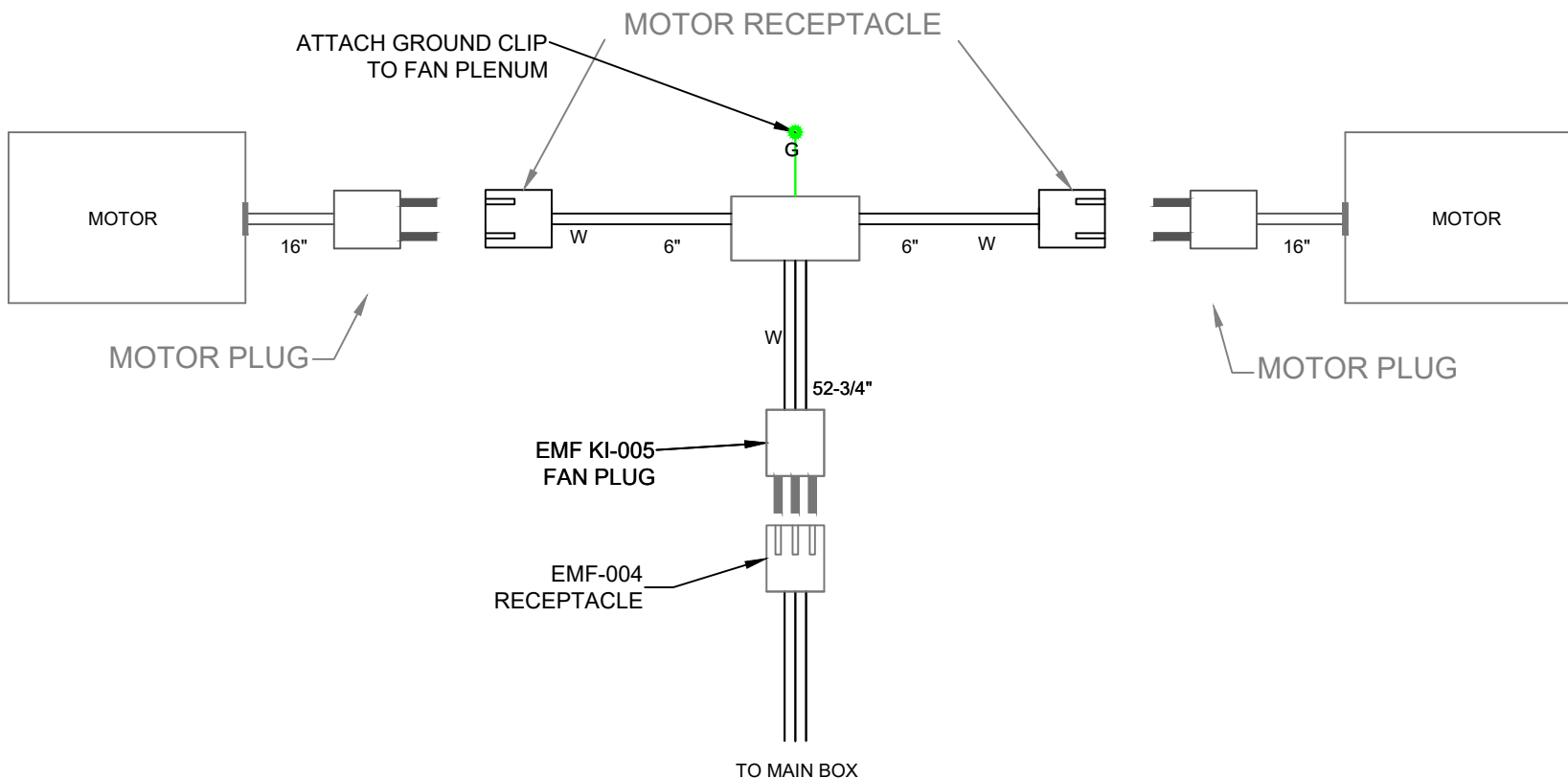
DATE: 04/28/2023

BY: JC

SAVED AS: 208-230 Volt XSSC OMNI 8' Mobile Wick Electrical EVCO

NOTE: SPECIFICATIONS ARE SUBJECT TO CHANGE WITHOUT NOTICE.

FAN MOTOR DETAIL



MOTOR HARNESS x2

- G = GREEN
- W = WHITE
- B = BLACK
- R = RED
- Br = BROWN
- Bu = BLUE
- Y = YELLOW
- Gy = GRAY

DESCRIPTION: 208/230 VOLT XSSC OMNI 8' MOBILE W/ WICK AND INTEGRATED CHIMNEY

CUSTOMER: ALBERTSONS

manufactured by: **KILLION INDUSTRIES, INC.**

1380 Poinsettia Ave.
Vista, CA 92081

voice: 800-421-5352
fax: 760-727-1622
email: sales@killionindustries.com

NOTICE
THIS DOCUMENT CONTAINS CONFIDENTIAL AND PROPRIETARY MATERIAL WHICH IS THE PROPERTY OF KILLION INDUSTRIES, INC. AND MAY NOT BE COPIED OR REPRODUCED. THIS DOCUMENT IS LOANED AND SUBJECT TO RETURN UPON DEMAND.

DO NOT SCALE
DATE: 04/28/2023
BY: JC

SAVED AS: 208-230 Volt XSSC OMNI 8' Mobile Wick Electrical EVCO

NOTE: SPECIFICATIONS ARE SUBJECT TO CHANGE WITHOUT NOTICE.

MAIN BOX AND CONTROLLER DETAIL

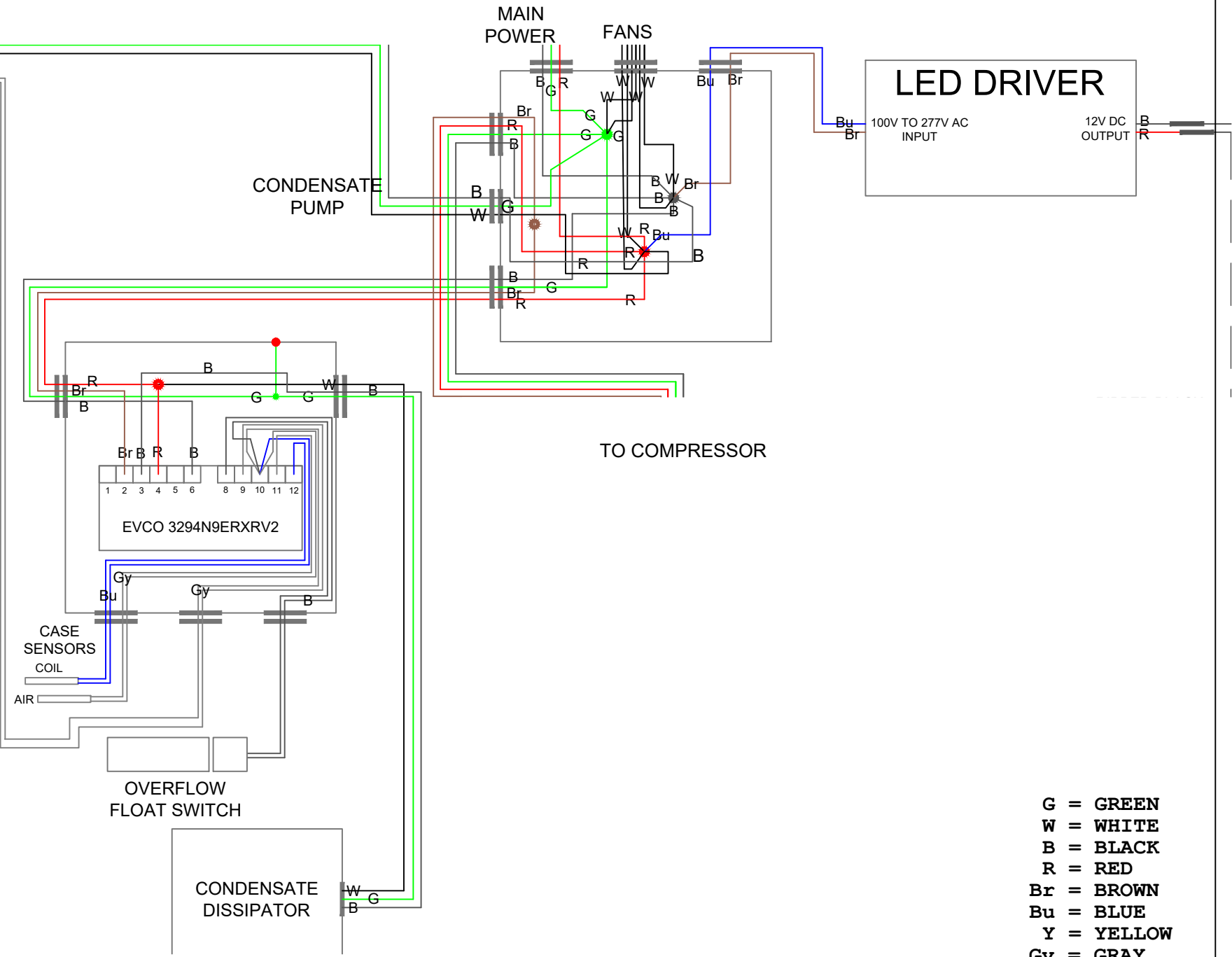
manufactured by:



1380 Poinsettia Ave.
Vista, CA 92081

voice: 800-421-5352
fax: 760-727-1622
email: sales@killionindustries.com

DESCRIPTION: 208/230 VOLT XSSC OMNI 8' MOBILE W/ WICK AND INTEGRATED CHIMNEY
CUSTOMER: ALBERTSONS



DO NOT SCALE
DATE: 04/28/2023
BY: JC

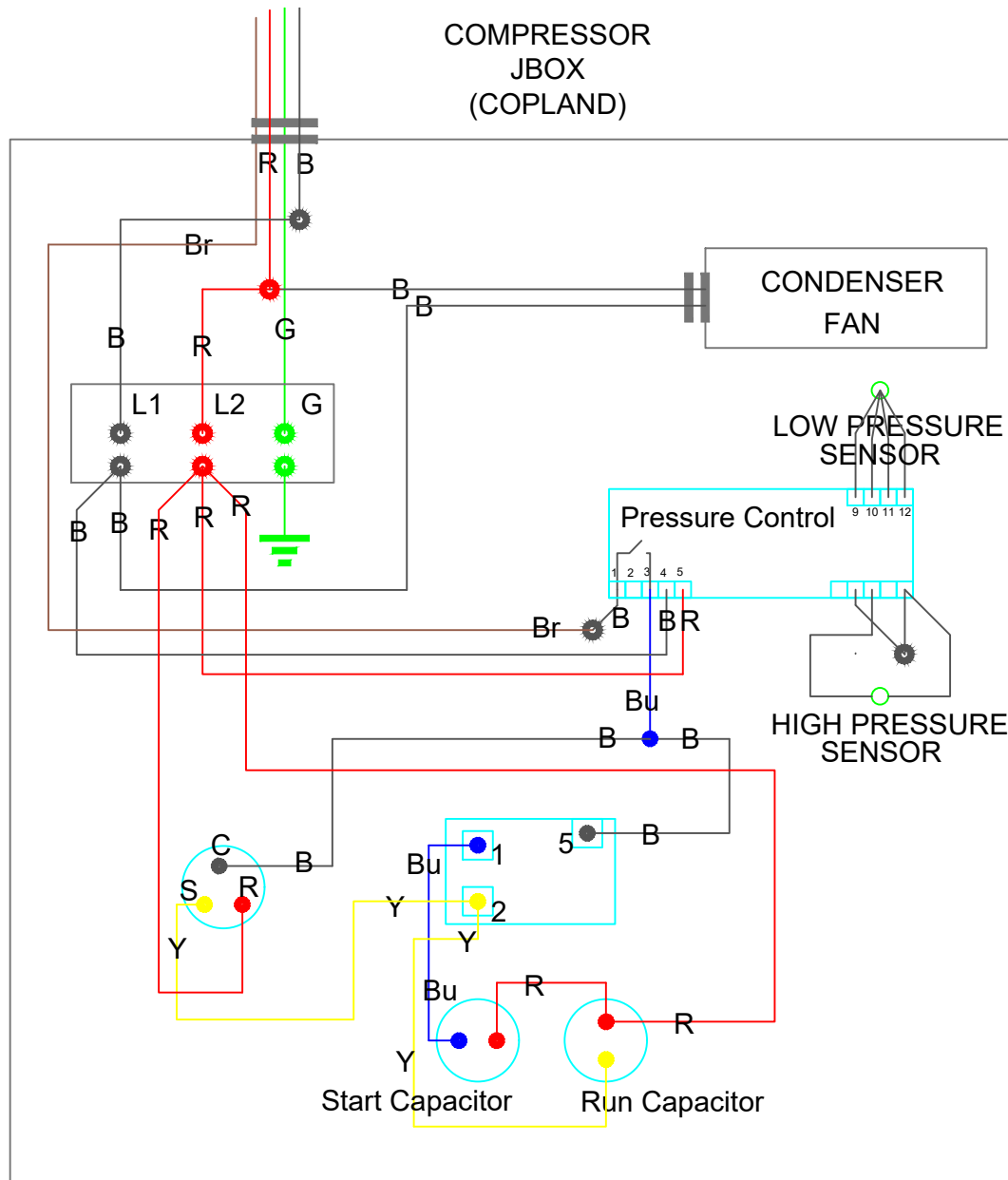
SAVED AS: 208-230 Volt XSSC OMNI 8' Mobile Wick Electrical EVCO

NOTE: SPECIFICATIONS ARE SUBJECT TO CHANGE WITHOUT NOTICE.

NOTICE
THIS DOCUMENT CONTAINS CONFIDENTIAL AND PROPRIETARY MATERIAL WHICH IS THE PROPERTY OF KILLION INDUSTRIES, INC. AND MAY NOT BE COPIED OR REPRODUCED. THIS DOCUMENT IS LOANED AND SUBJECT TO RETURN UPON DEMAND.

COMPRESSOR DETAIL COPLAND

COMPRESSOR
JBOX
(COPLAND)



- G = GREEN
- W = WHITE
- B = BLACK
- R = RED
- Br = BROWN
- Bu = BLUE
- Y = YELLOW
- Gy = GRAY



manufactured by:

1380 Poinsettia Ave.
Vista, CA 92081

voice: 800-421-5352
fax: 760-727-1622
email: sales@killionindustries.com

NOTICE

THIS DOCUMENT CONTAINS CONFIDENTIAL AND PROPRIETARY MATERIAL WHICH IS THE PROPERTY OF KILLION INDUSTRIES, INC. AND MAY NOT BE COPIED OR REPRODUCED. THIS DOCUMENT IS LOANED AND SUBJECT TO RETURN UPON DEMAND.

DESCRIPTION: 208/230 VOLT XSSC OMNI 8' MOBILE W/ WICK AND INTEGRATED CHIMNEY

CUSTOMER:

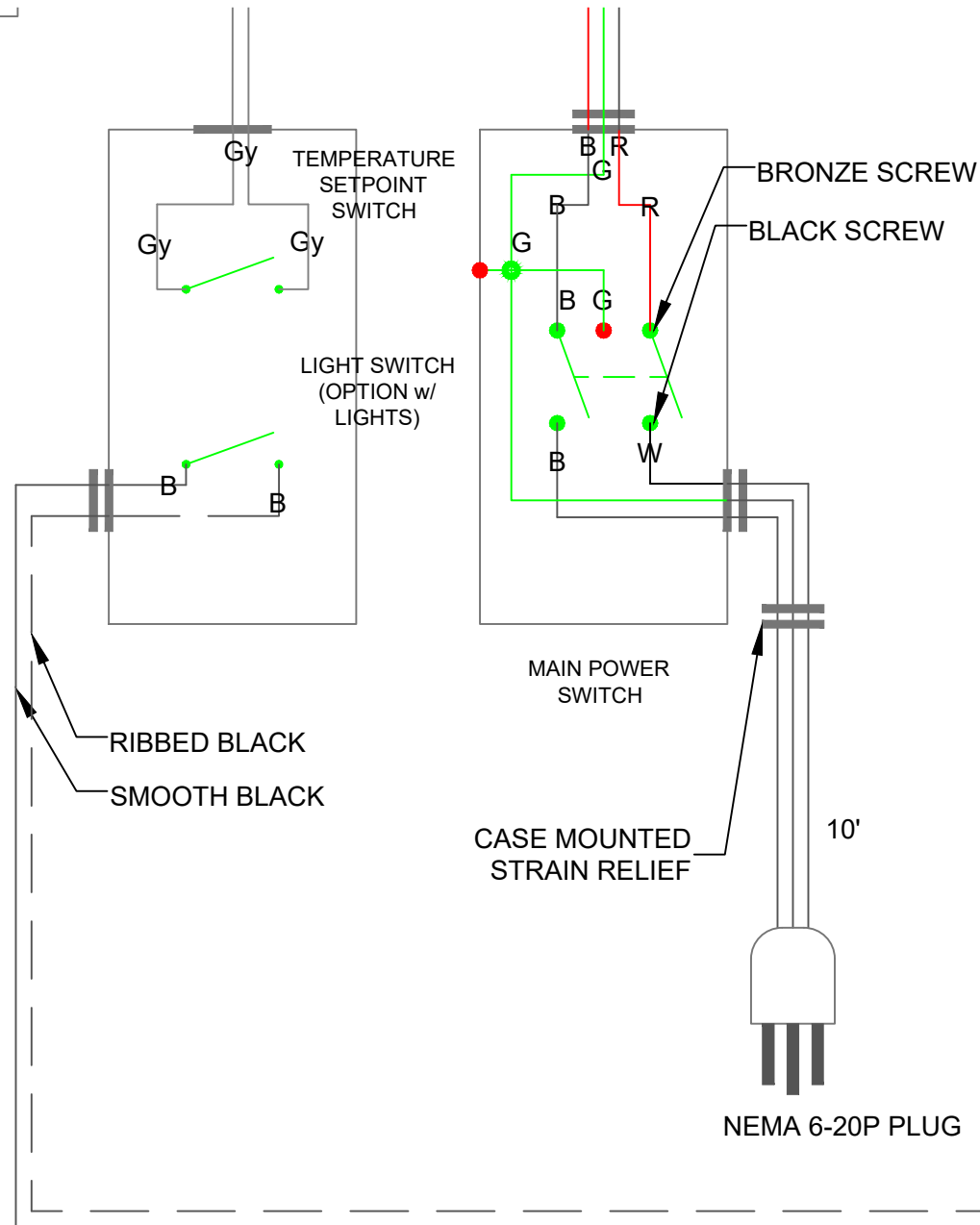
ALBERTSONS

DO NOT SCALE
DATE: 04/28/2023
BY: JC

SAVED AS: 208-230 Volt XSSC OMNI 8' Mobile Wick Electrical EVCO

NOTE: SPECIFICATIONS ARE SUBJECT TO CHANGE WITHOUT NOTICE.

MAIN SWITCH DETAIL



- G = GREEN
- W = WHITE
- B = BLACK
- R = RED
- Br = BROWN
- Bu = BLUE
- Y = YELLOW
- Gy = GRAY

manufactured by:



1380 Poinsettia Ave.
Vista, CA 92081

voice: 800-421-5352
fax: 760-727-1622
email: sales@killionindustries.com

NOTICE

THIS DOCUMENT CONTAINS CONFIDENTIAL AND PROPRIETARY MATERIAL WHICH IS THE PROPERTY OF KILLION INDUSTRIES, INC. AND MAY NOT BE COPIED OR REPRODUCED. THIS DOCUMENT IS LOANED AND SUBJECT TO RETURN UPON DEMAND.

DESCRIPTION: 208/230 VOLT XSSC OMNI 8' MOBILE W/ WICK AND INTEGRATED CHIMNEY

CUSTOMER:

ALBERTSONS

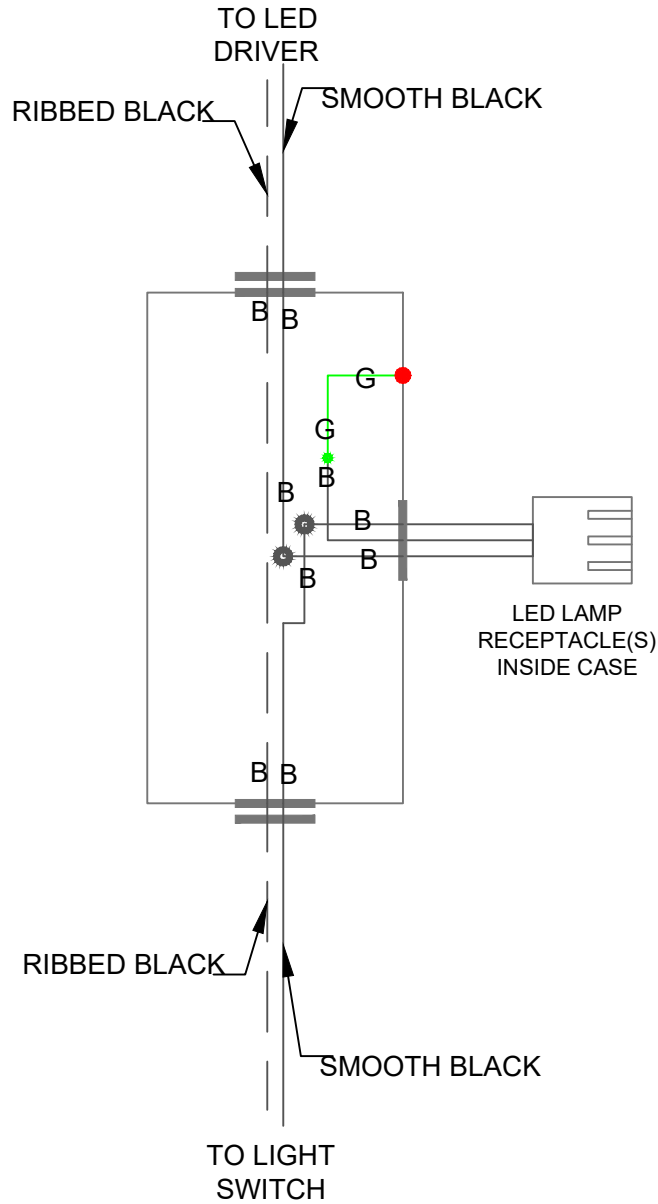
DO NOT SCALE
DATE: 04/28/2023
BY: JC

SAVED AS:

208-230 Volt XSSC OMNI 8' Mobile Wick Electrical EVCO

NOTE: SPECIFICATIONS ARE SUBJECT TO CHANGE WITHOUT NOTICE.

LIGHTING DETAIL



- G = GREEN
- W = WHITE
- B = BLACK
- R = RED
- Br = BROWN
- Bu = BLUE
- Y = YELLOW
- Gy = GRAY

manufactured by:



1380 Poinsettia Ave.
Vista, CA 92081

voice: 800-421-5352
fax: 760-727-1622
email: sales@killionindustries.com

NOTICE

THIS DOCUMENT CONTAINS CONFIDENTIAL AND PROPRIETARY MATERIAL WHICH IS THE PROPERTY OF KILLION INDUSTRIES, INC. AND MAY NOT BE COPIED OR REPRODUCED. THIS DOCUMENT IS LOANED AND SUBJECT TO RETURN UPON DEMAND.

DESCRIPTION: 208/230 VOLT XSSC OMNI 8' MOBILE W/ WICK AND INTEGRATED CHIMNEY

CUSTOMER:

ALBERTSONS

DO NOT SCALE
DATE: 04/28/2023
BY: JC

NOTE: SPECIFICATIONS ARE SUBJECT TO CHANGE WITHOUT NOTICE.