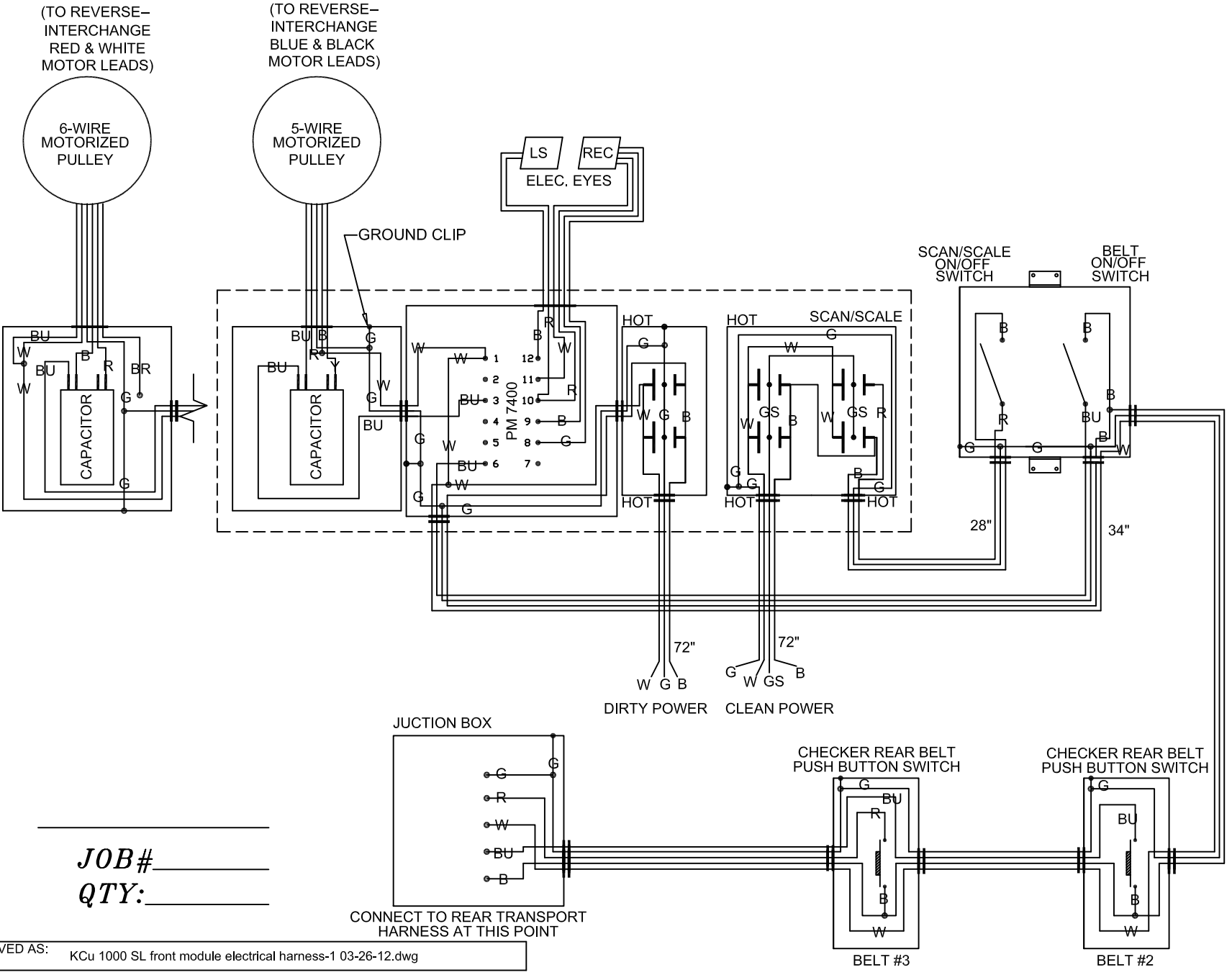


CUSTOMER: KILLION SL
 DESCRIPTION: KCu 1000 ELECTRICAL FRONT MODULE HARNESS
 DATE: 03/26/12
 BY: SC

Manufactured by: **Killion INDUSTRIES, INC.**
 1380 Poinsettia Ave. Vista, CA 92083
 voice: 800-421-5352 fax: 760-727-5108 email: sales@killionindustries.com

NOTICE
 THIS DOCUMENT CONTAINS CONFIDENTIAL AND PROPRIETARY MATERIAL WHICH IS THE PROPERTY OF KILLION INDUSTRIES, INC. AND MAY NOT BE COPIED OR REPRODUCED, EITHER WHOLLY OR IN PART, WITHOUT THE WRITTEN PERMISSION OF KILLION INDUSTRIES, INC. RETURN UPON DEMAND.



(TO REVERSE-INTERCHANGE RED & WHITE MOTOR LEADS)

(TO REVERSE-INTERCHANGE BLUE & BLACK MOTOR LEADS)

JOB# _____
 QTY: _____

CONNECT TO REAR TRANSPORT HARNESS AT THIS POINT

manufactured by: **KILLION INDUSTRIES, INC.**
 1380 Poinsettia Ave.
 Vista, CA 92083
 voice: 800-421-5352
 fax: 760-727-5108
 email: sales@killionindustries.com
 DESCRIPTION: **KCu 1000 ELECTRICAL REAR MODULE HARNESS**
 CUSTOMER: **KILLION SL**

NOTICE
 THIS DOCUMENT CONTAINS CONFIDENTIAL AND PROPRIETARY MATERIAL WHICH IS THE PROPERTY OF KILLION INDUSTRIES, INC. AND MAY NOT BE COPIED OR REPRODUCED. THIS DOCUMENT IS LOANED AND SUBJECT TO RETURN IN 90 DAYS.

DO NOT SCALE
 DATE: 03/26/12
 BY: SC
 SAVED AS: KCu 1000 SL rear module electrical harness-2 03-26-12.dwg

