

DESCRIPTION: KCu 1500 ELECTRICAL FRONT MODULE HARNESS

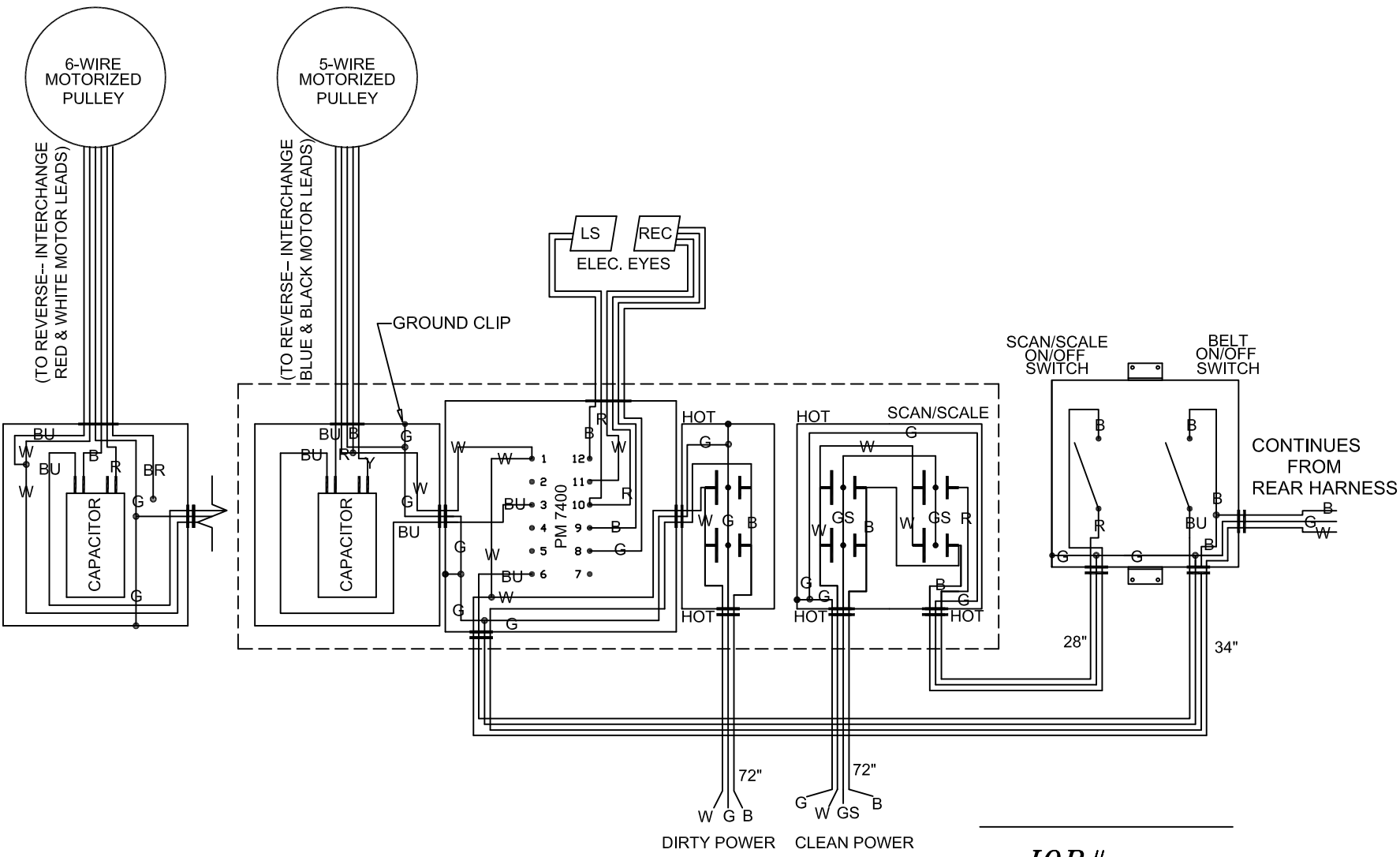
CUSTOMER: KILLION SL

Manufactured by: **Killion INDUSTRIES, INC.**

1380 Poinsettia Ave.
Vista, CA 92083

voice: 800-421-5352
fax: 760-727-5108
email: sales@killionindustries.com

NOTICE
THIS DOCUMENT CONTAINS CONFIDENTIAL AND PROPRIETARY MATERIAL WHICH IS THE PROPERTY OF KILLION INDUSTRIES, INC. AND MAY NOT BE COPIED OR REPRODUCED, IN WHOLE OR IN PART, WITHOUT THE WRITTEN CONSENT OF KILLION INDUSTRIES, INC. SUBJECT TO RETURN UPON DEMAND.



JOB# _____
QTY: _____



manufactured by:

1380 Poinsetta Ave.
Vista, CA 92083

voice: 800-421-5352
fax: 760-727-5108
email: sales@killionindustries.com

NOTICE
THIS DOCUMENT CONTAINS CONFIDENTIAL AND PROPRIETARY MATERIAL WHICH IS THE PROPERTY OF KILLION INDUSTRIES, INC. AND MAY NOT BE REPRODUCED, COPIED, OR OTHERWISE USED IN ANY MANNER WITHOUT THE WRITTEN PERMISSION AND SUBJECT TO RETURN UPON DEMAND.

DESCRIPTION:
CUSTOMER:

KCu 1500 ELECTRICAL REAR MODULE HARNESS

KILLION SL

DO NOT SCALE

DATE: 03/26/12

SAVED AS: KCu 1500 SL rear module electrical harness-2 03-26-12.dwg

BY:SC

