

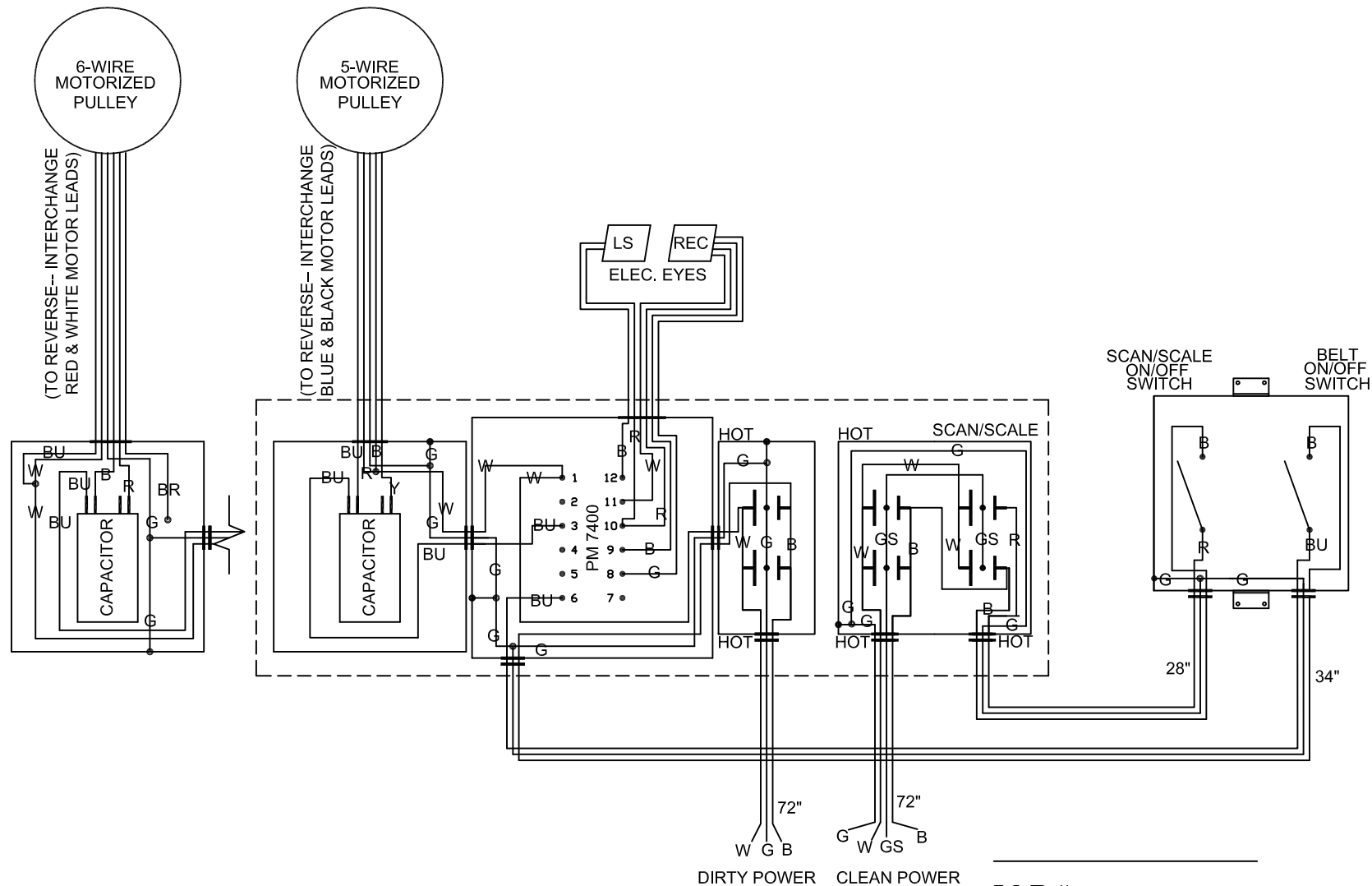
DESCRIPTION: **KILLION** INDUSTRIES, INC. 1380 Poinsettia Ave. Vista, CA 92083
 voice: 800-421-5352 fax: 760-727-5108 email: sales@killionindustries.com

CUSTOMER: **KILLION SL**

CU 3500 ELECTRICAL HARNESS

NOTICE: THIS DOCUMENT CONTAINS CONFIDENTIAL AND PROPRIETARY MATERIAL WHICH IS THE PROPERTY OF KILLION INDUSTRIES, INC. AND MAY NOT BE COPIED OR REPRODUCED, IN WHOLE OR IN PART, WITHOUT THE WRITTEN CONSENT OF KILLION INDUSTRIES, INC. SUBJECT TO RETURN UPON DEMAND.

DO NOT SCALE
 DATE: 02/13/12
 BY: SC



JOB# _____
 QTY: _____