

CUSTOMER:

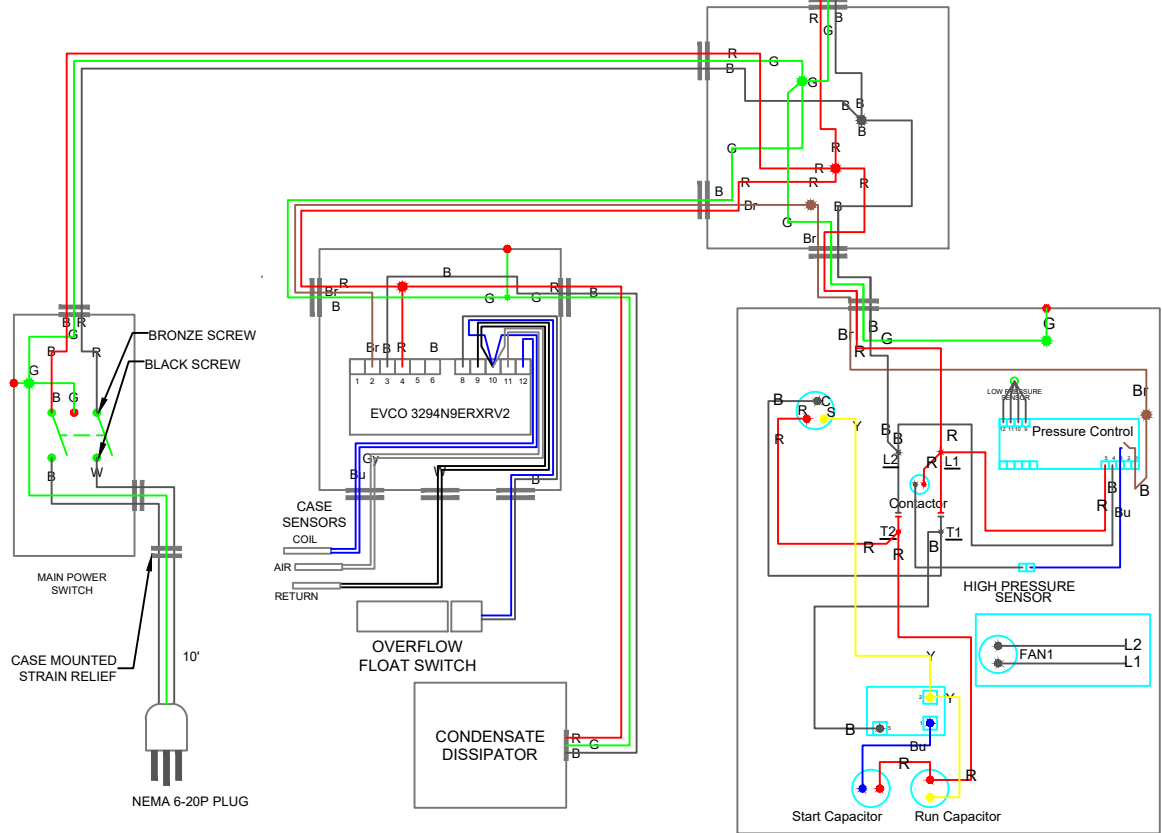
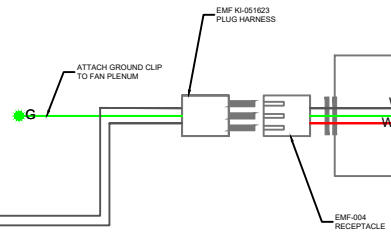
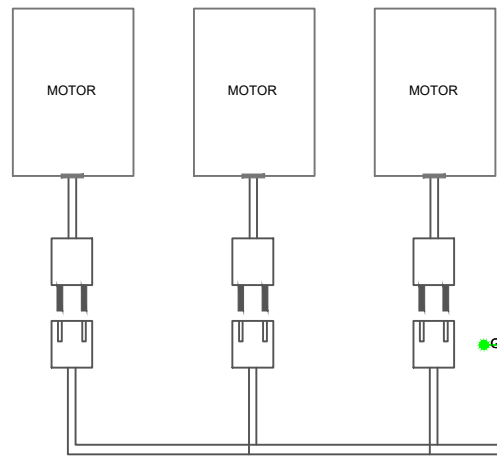
DESCRIPTION: 208/230 VOLT XSSC OMNI 8' MOBILE W/ WICK, INT. CHIMNEY, AUTO SETPOINT



1380 Poinsettia Ave.
Vista, CA 92081

voice: 800-421-5352
fax: 760-727-1622
email: sales@killionindustries.com

manufactured by:



- G = GREEN**
- W = WHITE**
- B = BLACK**
- R = RED**
- Br = BROWN**
- Bu = BLUE**
- Y = YELLOW**
- Gy = GRAY**

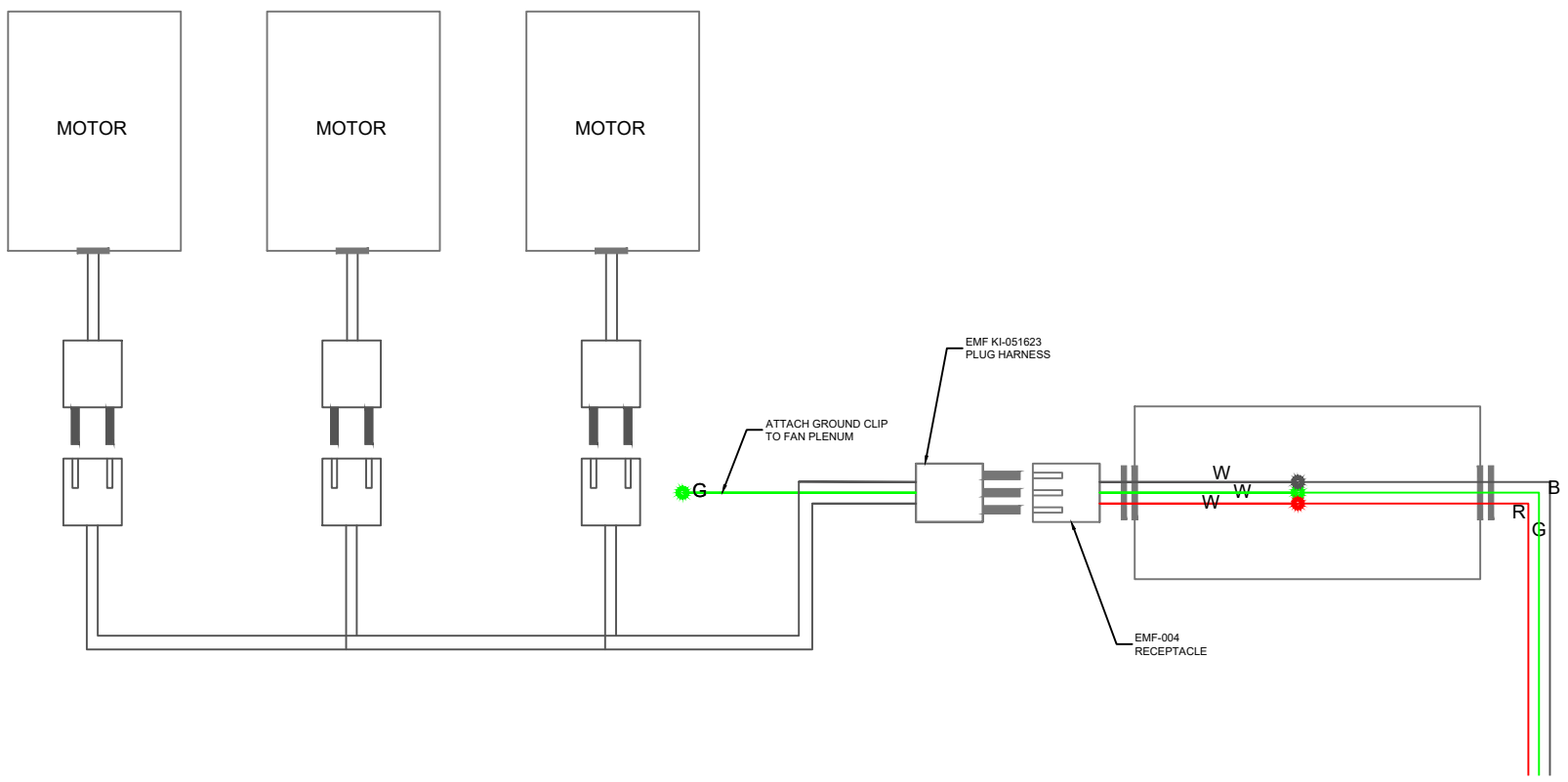
NOTICE
THIS DOCUMENT CONTAINS CONFIDENTIAL AND PROPRIETARY MATERIAL WHICH IS THE PROPERTY OF KILLION INDUSTRIES, INC. AND MAY NOT BE COPIED OR REPRODUCED. THIS DOCUMENT IS LOANED AND SUBJECT TO RETURN UPON DEMAND.

DO NOT SCALE
DATE: 12/06/2023
BY: JC

SAVED AS: 208-230 Volt XSSC OMNI 8' Mobile Wick Electrical EVCO 3 Probe

NOTE: SPECIFICATIONS ARE SUBJECT TO CHANGE WITHOUT NOTICE.

FAN MOTOR DETAIL



- G = GREEN**
- W = WHITE**
- B = BLACK**
- R = RED**
- Br = BROWN**
- Bu = BLUE**
- Y = YELLOW**
- Gy = GRAY**

manufactured by:



1380 Poinsettia Ave.
Vista, CA 92081

voice: 800-421-5352
fax: 760-727-1622
email: sales@killionindustries.com

NOTICE

THIS DOCUMENT CONTAINS CONFIDENTIAL AND PROPRIETARY MATERIAL WHICH IS THE PROPERTY OF KILLION INDUSTRIES, INC. AND MAY NOT BE COPIED OR REPRODUCED. THIS DOCUMENT IS LOANED AND SUBJECT TO RETURN UPON DEMAND.

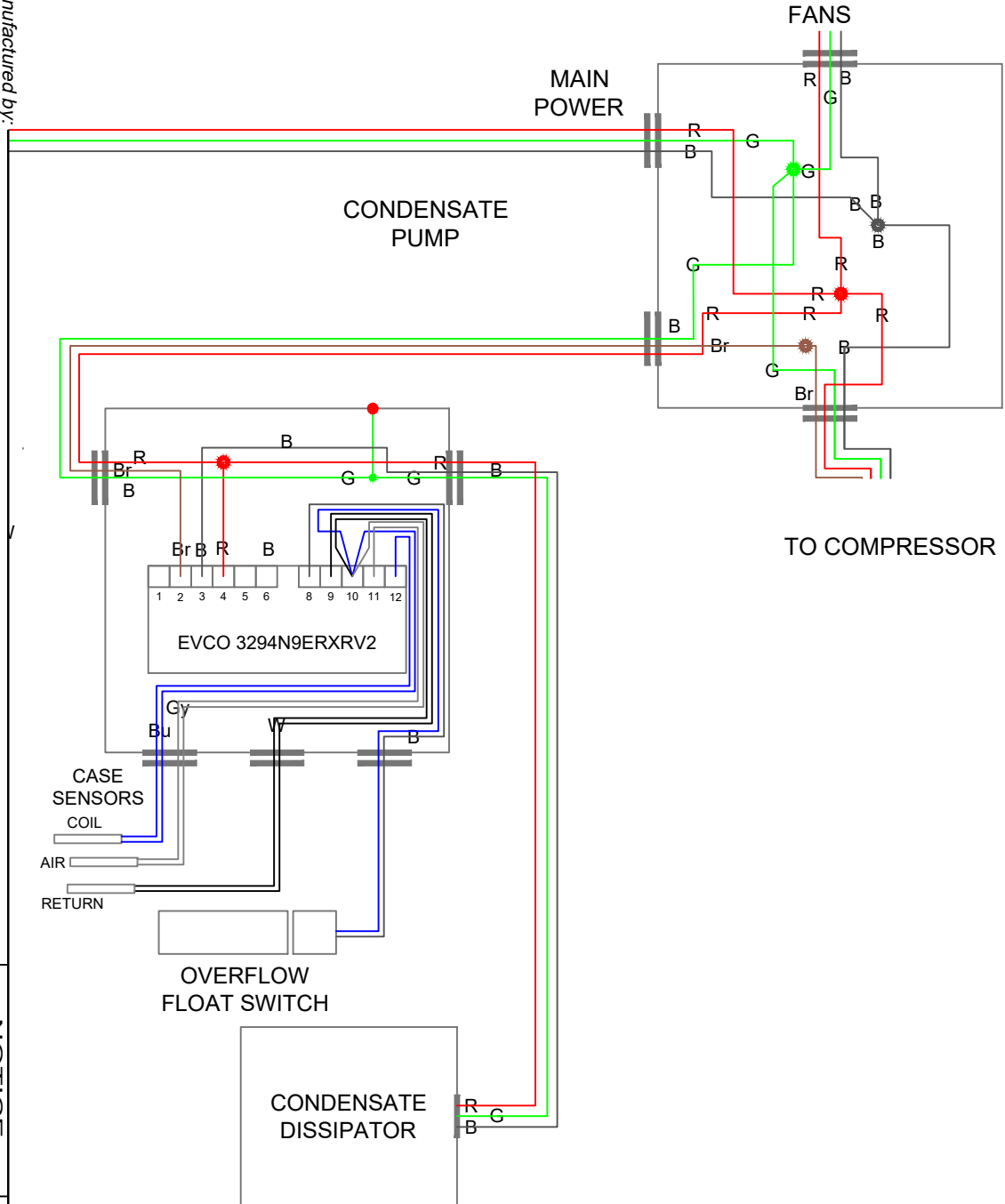
DESCRIPTION: 208/230 VOLT XSSC OMNI 8' MOBILE W/ WICK, INT. CHIMNEY, AUTO SETPOINT
CUSTOMER: PUBLIX

DO NOT SCALE
DATE: 12/06/2023
BY: JC

SAVED AS: 208-230 Volt XSSC OMNI 8' Mobile Wick Electrical EVCO 3 Probe

NOTE: SPECIFICATIONS ARE SUBJECT TO CHANGE WITHOUT NOTICE.

MAIN BOX AND CONTROLLER DETAIL



- G = GREEN
- W = WHITE
- B = BLACK
- R = RED
- Br = BROWN
- Bu = BLUE
- Y = YELLOW
- Gy = GRAY

manufactured by: **KILLION INDUSTRIES, INC.**
 1380 Poinsettia Ave.
 Vista, CA 92081
 voice: 800-421-5352
 fax: 760-727-1622
 email: sales@killionindustries.com

DESCRIPTION: 208/230 VOLT XSSC OMNI 8' MOBILE W/ WICK, INT. CHIMNEY, AUTO SETPOINT
 CUSTOMER: PUBLIX

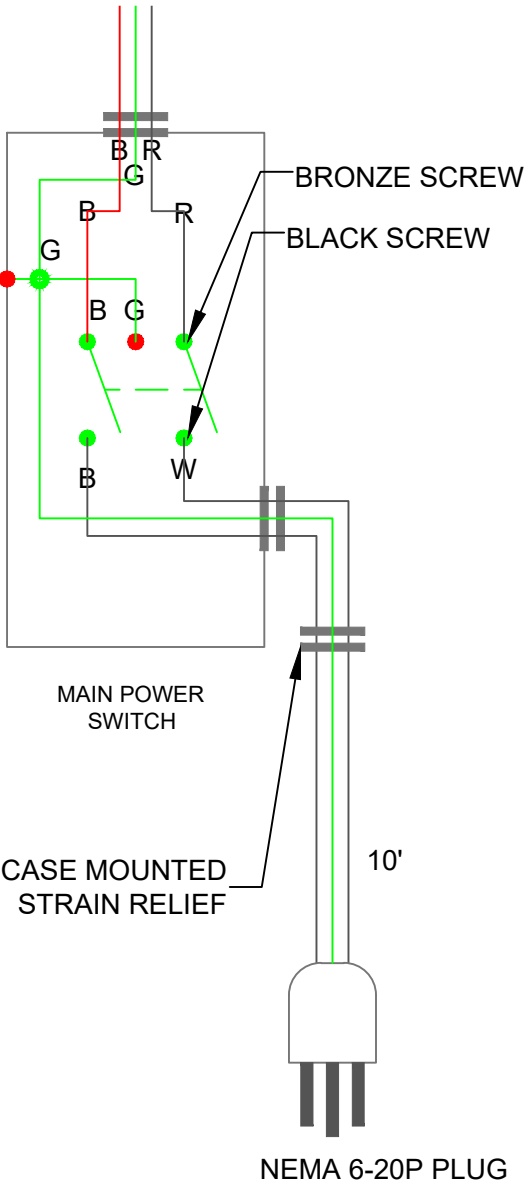
NOTICE
 THIS DOCUMENT CONTAINS CONFIDENTIAL AND PROPRIETARY MATERIAL WHICH IS THE PROPERTY OF KILLION INDUSTRIES, INC. AND MAY NOT BE COPIED OR REPRODUCED. THIS DOCUMENT IS LOANED AND SUBJECT TO RETURN UPON DEMAND.

DO NOT SCALE
 DATE: 12/06/2023
 BY: JC

SAVED AS: 208-230 Volt XSSC OMNI 8' Mobile Wick Electrical EVCO 3 Probe

NOTE: SPECIFICATIONS ARE SUBJECT TO CHANGE WITHOUT NOTICE.

MAIN SWITCH DETAIL



- G = GREEN
- W = WHITE
- B = BLACK
- R = RED
- Br = BROWN
- Bu = BLUE
- Y = YELLOW
- Gy = GRAY

manufactured by:



1380 Poinsettia Ave.
Vista, CA 92081

voice: 800-421-5352
fax: 760-727-1622
email: sales@killionindustries.com

NOTICE

THIS DOCUMENT CONTAINS CONFIDENTIAL AND PROPRIETARY MATERIAL WHICH IS THE PROPERTY OF KILLION INDUSTRIES, INC. AND MAY NOT BE COPIED OR REPRODUCED. THIS DOCUMENT IS LOANED AND SUBJECT TO RETURN UPON DEMAND.

DESCRIPTION: 208/230 VOLT XSSC OMNI 8' MOBILE W/ WICK, INT. CHIMNEY, AUTO SETPOINT
CUSTOMER: PUBLIX

DO NOT SCALE
DATE: 12/06/2023
BY: JC

SAVED AS: 208-230 Volt XSSC OMNI 8' Mobile Wick Electrical EVCO 3 Probe

NOTE: SPECIFICATIONS ARE SUBJECT TO CHANGE WITHOUT NOTICE.