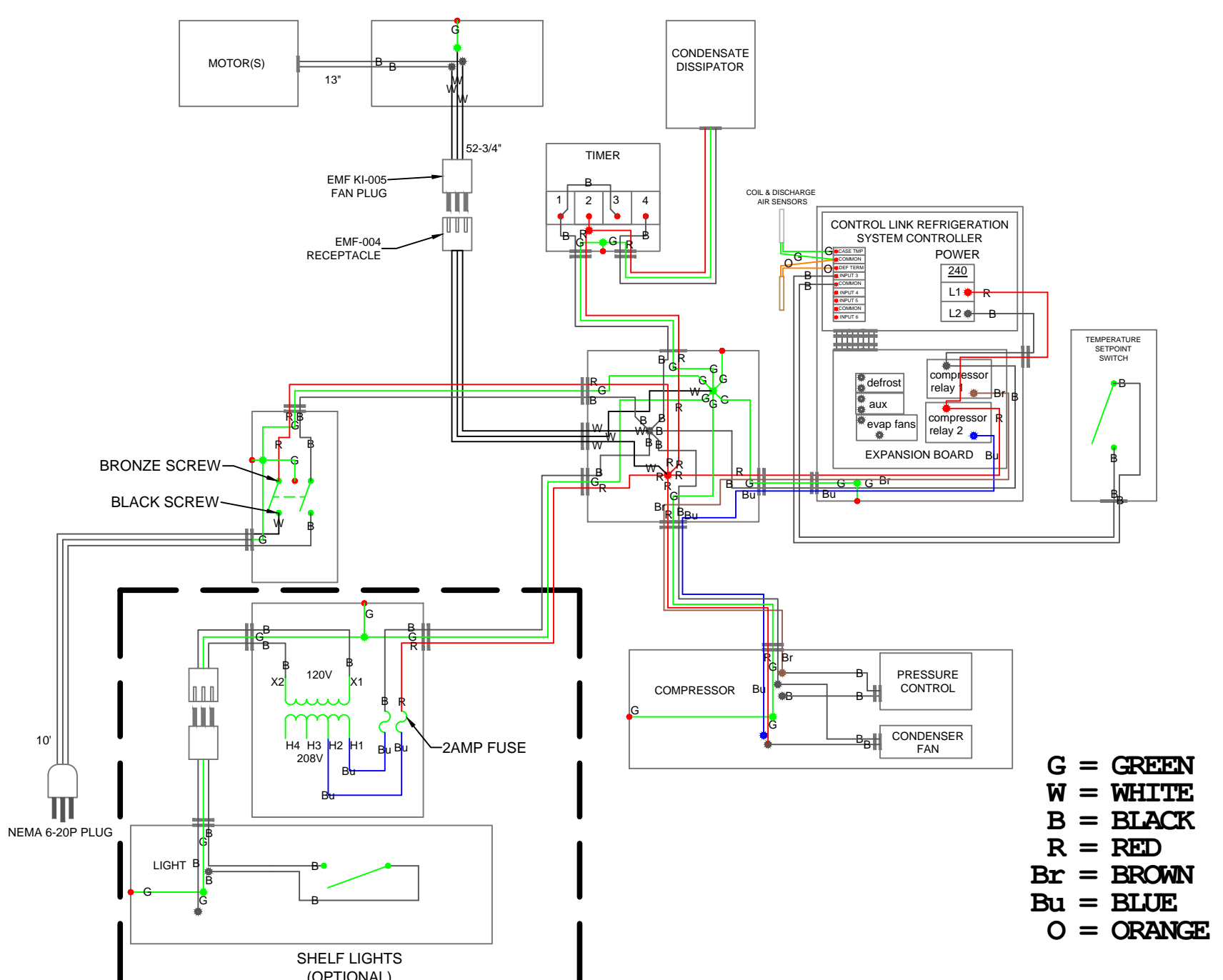
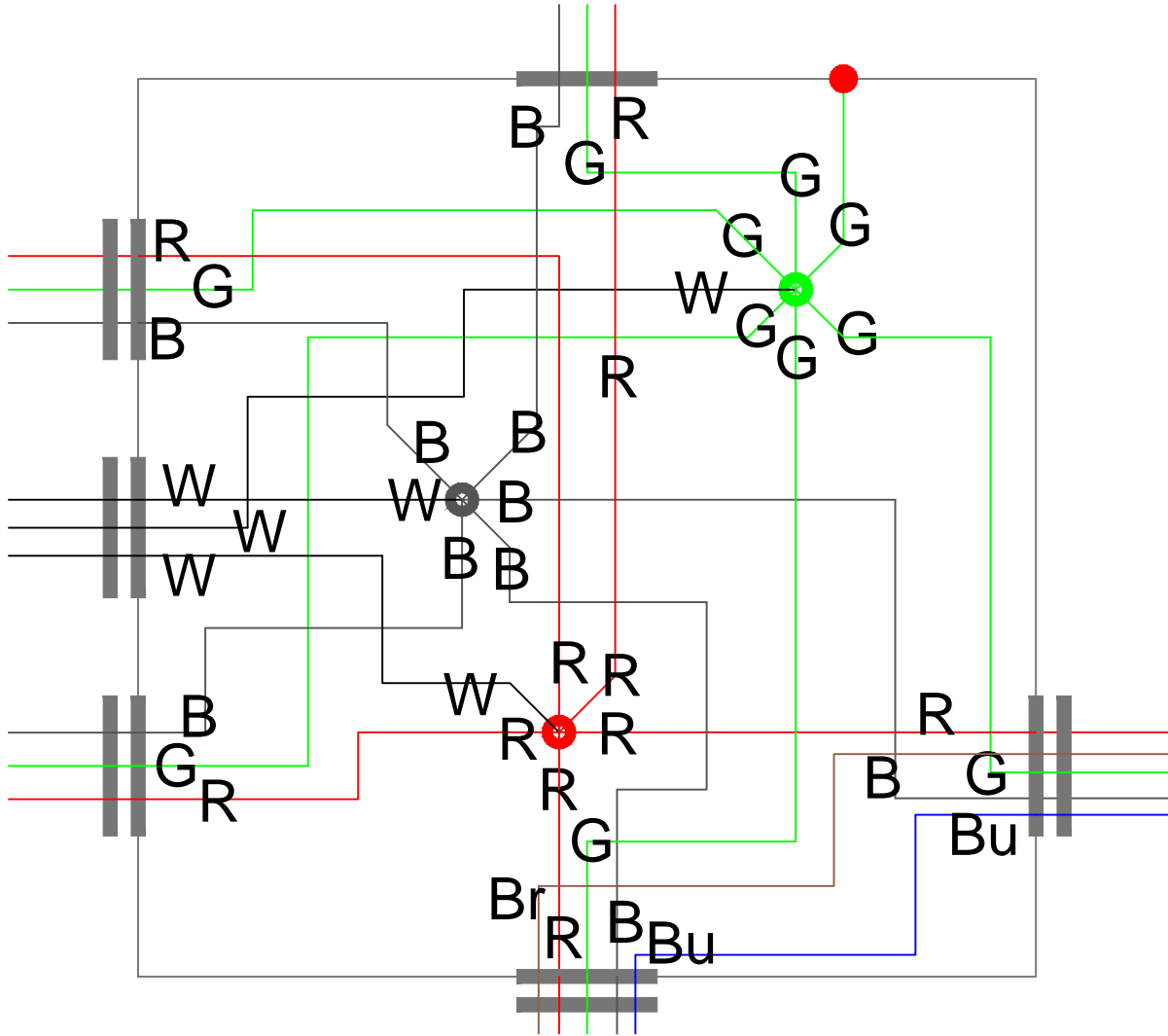


manufactured by:
KILLION INDUSTRIES, INC.
 1380 Poinsettia Ave.
 Vista, CA 92081
 voice: 800-421-5352
 fax: 760-727-5108
 email: sales@killionindustries.com
 DESCRIPTION: 208-230V PFW-XAP-BFSC-BSSC MOBILE ELECTRICAL
 CUSTOMER: WALMART
 NOTICE: THIS DOCUMENT CONTAINS CONFIDENTIAL AND PROPRIETARY MATERIAL WHICH IS THE PROPERTY OF KILLION INDUSTRIES, INC. AND MAY NOT BE COPIED OR REPRODUCED. THIS DOCUMENT IS UNCLASSIFIED AND SUBJECT TO RETURN UPON DEMAND.
 DO NOT SCALE
 DATE: 09/26/12
 BY: ETT

MAIN WIRING HARNESS



J-BOX DETAIL



- G = GREEN
- W = WHITE
- B = BLACK
- R = RED
- Br = BROWN
- Bu = BLUE
- O = ORANGE



Manufactured by:

1380 Poinsetta Ave.
Vista, CA 92081

voice: 800-421-5352
fax: 760-727-5108
email: sales@killionindustries.com

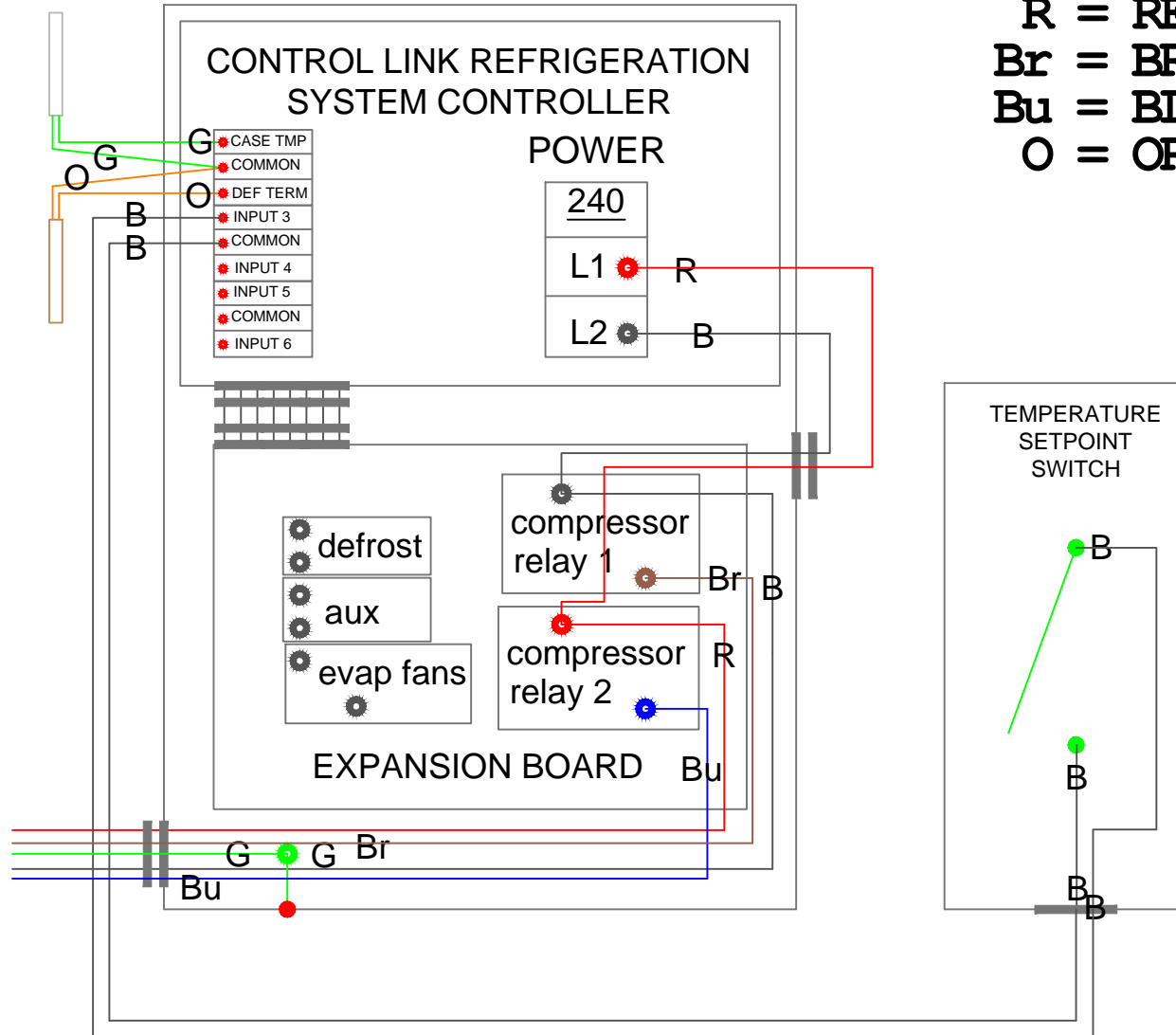
NOTICE

THIS DOCUMENT CONTAINS CONFIDENTIAL AND PROPRIETARY MATERIAL WHICH IS THE PROPERTY OF KILLION INDUSTRIES, INC. AND MAY NOT BE COPIED OR REPRODUCED. THIS DOCUMENT IS LOANED AND SUBJECT TO RETURN UPON DEMAND.

DESCRIPTION: 208-230V PFW-XAP-BFSC-BSSC MOBILE ELECTRICAL
CUSTOMER: WALMART

G = GREEN
W = WHITE
B = BLACK
R = RED
Br = BROWN
Bu = BLUE
O = ORANGE

CONTROL LINK DETAIL



Manufactured by:



1380 Poinsettia Ave.
Vista, CA 92081

voice: 800-421-5352
fax: 760-727-5108
email: sales@killionindustries.com

DESCRIPTION:

208-230V PFW-XAP-BFSC-BSSC MOBILE ELECTRICAL

CUSTOMER:

WALMART

NOTICE

THIS DOCUMENT CONTAINS CONFIDENTIAL AND PROPRIETARY MATERIAL WHICH IS THE PROPERTY OF KILLION INDUSTRIES, INC. AND MAY NOT BE COPIED OR REPRODUCED. THIS DOCUMENT IS LOANED AND SUBJECT TO RETURN UPON DEMAND.

DO NOT SCALE

DATE: 09/26/12

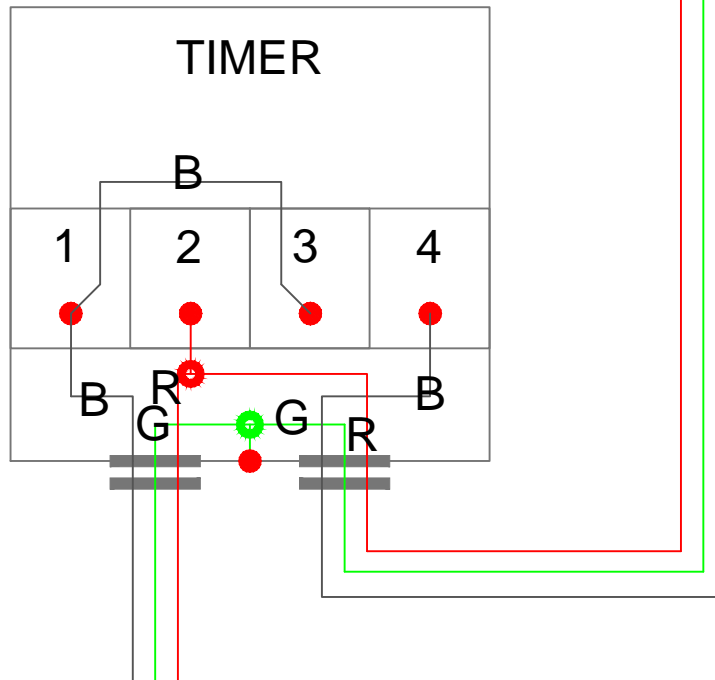
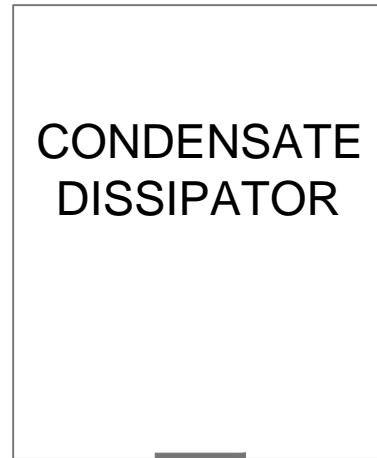
BY: ETT

SAVED AS:

WALMART 208-230 Volt PFW-XAP-BFSC-BSSC Mobile Electrical CLRSC.dwg

DISSIPATOR TIMER DETAIL

- G** == GREEN
- W** == WHITE
- B** == BLACK
- R** == RED
- Br** == BROWN
- Bu** == BLUE
- O** == ORANGE



Manufactured by:

1380 Poinsettia Ave.
Vista, CA 92081

voice: 800-421-5352
fax: 760-727-5108
email: sales@killionindustries.com

NOTICE
THIS DOCUMENT CONTAINS CONFIDENTIAL AND PROPRIETARY MATERIAL WHICH IS THE PROPERTY OF KILLION INDUSTRIES, INC. AND MAY NOT BE COPIED OR REPRODUCED. THIS DOCUMENT IS LOANED AND SUBJECT TO RETURN UPON DEMAND.

DESCRIPTION: 208-230V PFW-XAP-BFSC-BSSC MOBILE ELECTRICAL
CUSTOMER: WALMART