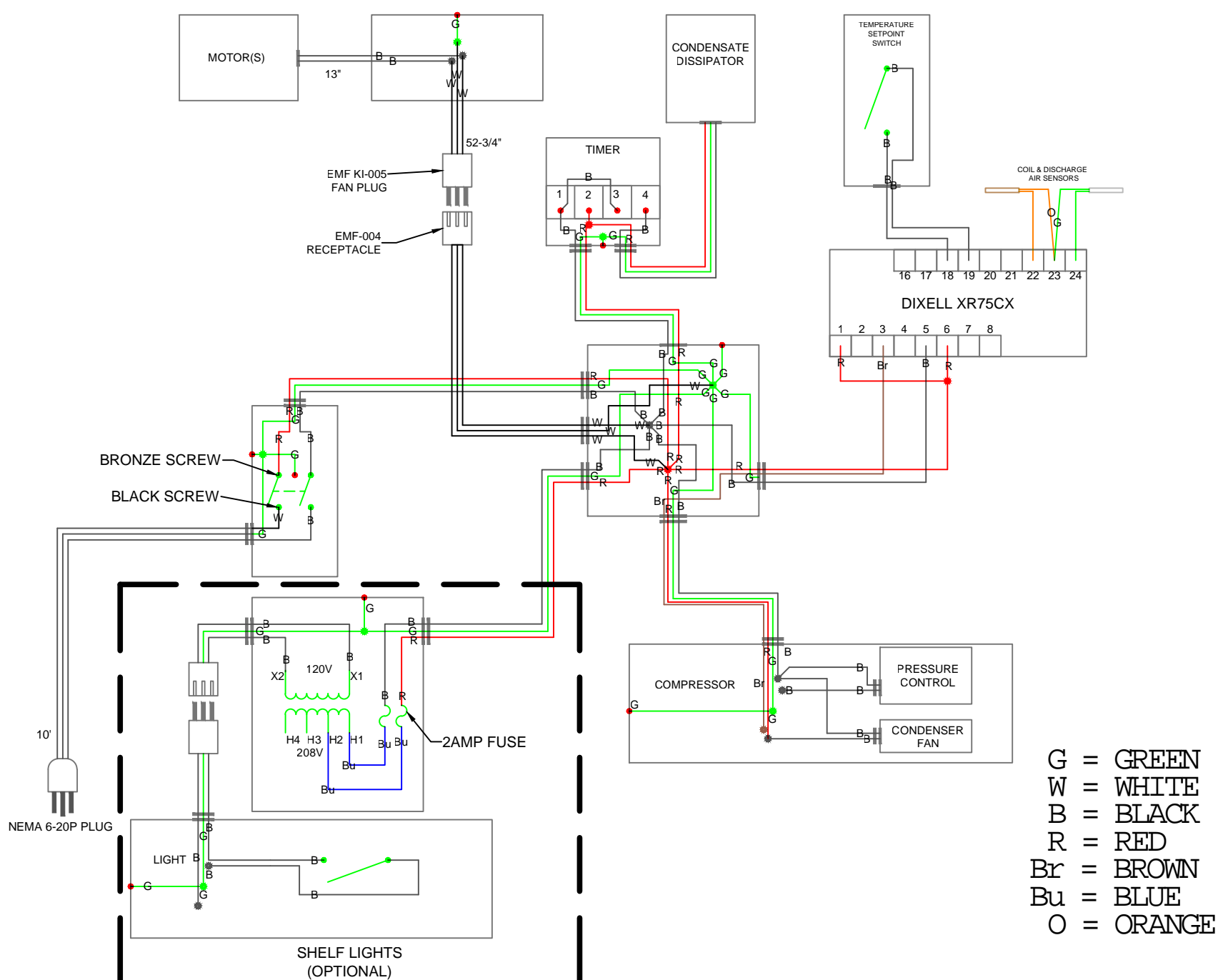


CUSTOMER: WALMART
 DESCRIPTION: 208-230V PFW-XAP-BFSC-BSSC MOBILE ELECTRICAL
 manufactured by: **KILLION INDUSTRIES, INC.**
 1380 Poinsettia Ave. Vista, CA 92081
 voice: 800-421-5352
 fax: 760-727-5108
 email: sales@killionindustries.com
 NOTICE: THIS DOCUMENT CONTAINS CONFIDENTIAL AND PROPRIETARY MATERIAL WHICH IS THE PROPERTY OF KILLION INDUSTRIES, INC. AND MAY NOT BE COPIED OR REPRODUCED. THIS DOCUMENT IS UNCLASSIFIED AND SUBJECT TO RETURN UPON DEMAND.
 DO NOT SCALE
 DATE: 02/07/13
 BY: ETT

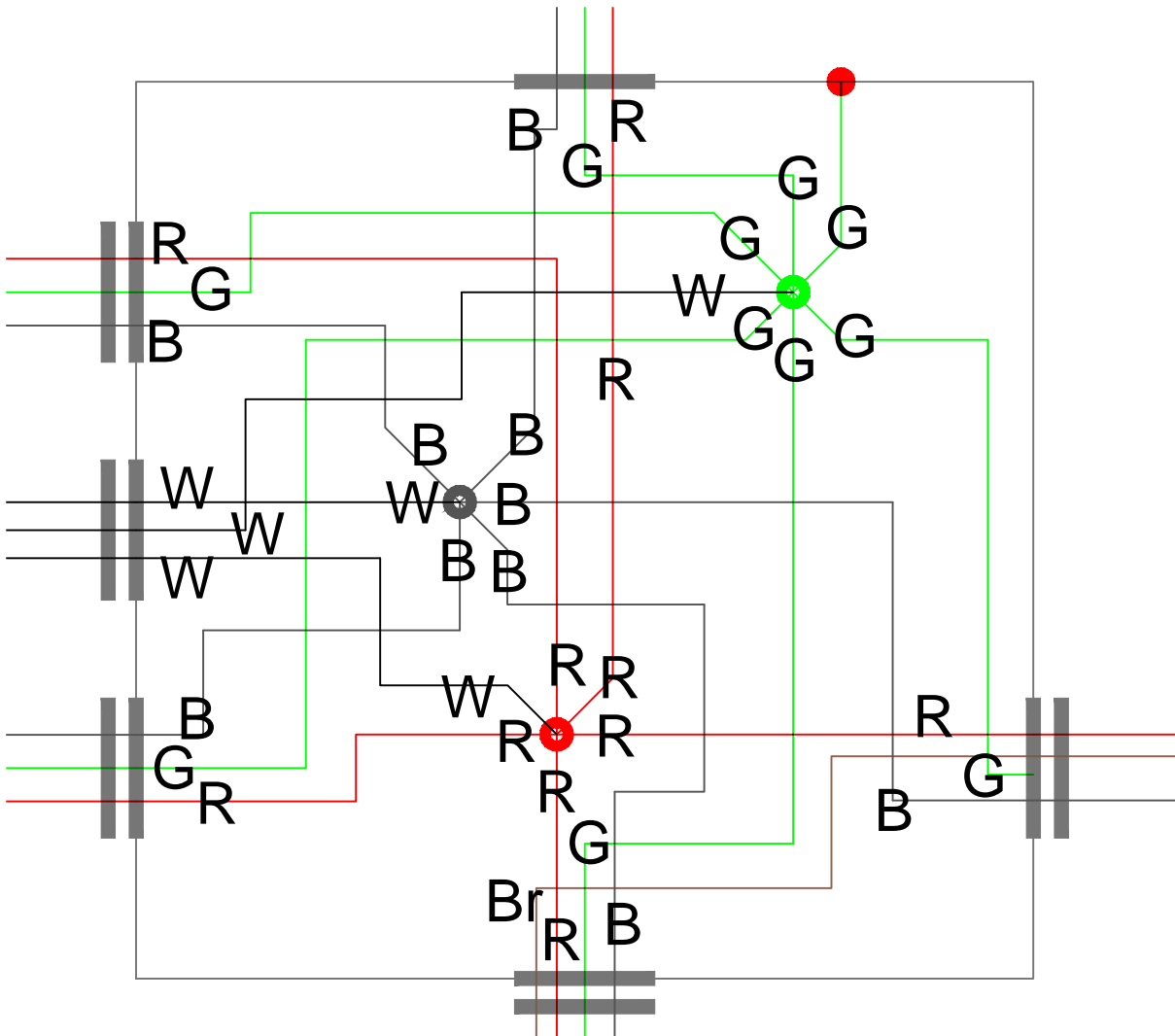
MAIN WIRING HARNESS



- G = GREEN
- W = WHITE
- B = BLACK
- R = RED
- Br = BROWN
- Bu = BLUE
- O = ORANGE

NOTE: SPECIFICATIONS ARE SUBJECT TO CHANGE WITHOUT NOTICE.

J-BOX DETAIL



- G = GREEN
- W = WHITE
- B = BLACK
- R = RED
- Br = BROWN
- Bu = BLUE
- O = ORANGE



Manufactured by:

1380 Poinsettia Ave.
Vista, CA 92081

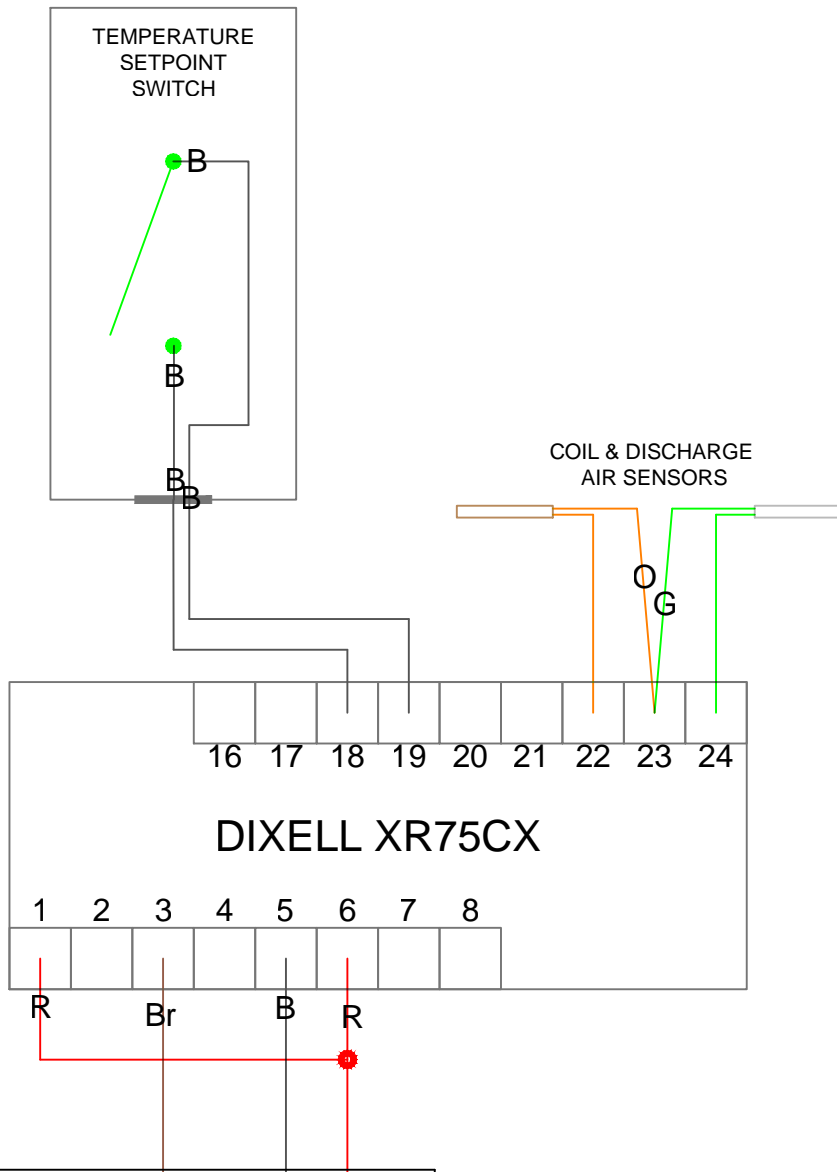
voice: 800-421-5352
fax: 760-727-5108
email: sales@killionindustries.com

NOTICE
THIS DOCUMENT CONTAINS CONFIDENTIAL AND PROPRIETARY MATERIAL WHICH IS THE PROPERTY OF KILLION INDUSTRIES, INC. AND MAY NOT BE COPIED OR REPRODUCED. THIS DOCUMENT IS LOANED AND SUBJECT TO RETURN UPON DEMAND.

DESCRIPTION: 208-230V PFW-XAP-BFSC-BSSC MOBILE ELECTRICAL
CUSTOMER: WALMART

CONTROLLER DETAIL

- G = GREEN
- W = WHITE
- B = BLACK
- R = RED
- Br = BROWN
- Bu = BLUE
- O = ORANGE



Manufactured by:

1380 Poinsettia Ave.
Vista, CA 92081

voice: 800-421-5352
fax: 760-727-5108
email: sales@killionindustries.com

DESCRIPTION:

208-230V PFW-XAP-BFSC-BSSC MOBILE ELECTRICAL

CUSTOMER:

WALMART

NOTICE
THIS DOCUMENT CONTAINS CONFIDENTIAL AND PROPRIETARY MATERIAL WHICH IS THE PROPERTY OF KILLION INDUSTRIES, INC. AND MAY NOT BE COPIED OR REPRODUCED. THIS DOCUMENT IS LOANED AND SUBJECT TO RETURN UPON DEMAND.

DO NOT SCALE

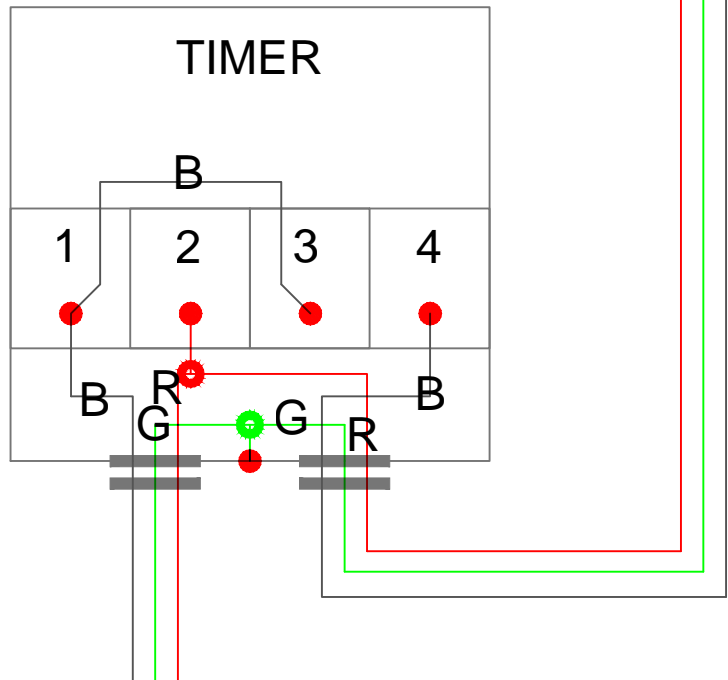
DATE: 02/07/13

BY: ETT

SAVED AS:

WALMART 208-230 Volt PFW-XAP-BFSC-BSSC Mobile Electrical DIXELL.dwg

DISSIPATOR TIMER DETAIL



- G == GREEN
- W == WHITE
- B == BLACK
- R == RED
- Br == BROWN
- Bu == BLUE
- O == ORANGE

Manufactured by:



1380 Poinsettia Ave.
Vista, CA 92081

voice: 800-421-5352
fax: 760-727-5108
email: sales@killionindustries.com

NOTICE
THIS DOCUMENT CONTAINS CONFIDENTIAL AND PROPRIETARY MATERIAL WHICH IS THE PROPERTY OF KILLION INDUSTRIES, INC. AND MAY NOT BE COPIED OR REPRODUCED. THIS DOCUMENT IS LOANED AND SUBJECT TO RETURN UPON DEMAND.

DESCRIPTION:

208-230V PFW-XAP-BFSC-BSSC MOBILE ELECTRICAL

CUSTOMER:

WALMART

DO NOT SCALE

DATE: 02/07/13

BY: ETT

SAVED AS: WALMART 208-230 Volt PFW-XAP-BFSC-BSSC Mobile Electrical DIXELL.dwg